

ebm-papst Mulfingen GmbH & Co. KG

Bachmühle 2

D-74673 Mulfingen

Phone: +49(0)7938/81-0

Fax: +49(0)7938/81-110

info1@de.ebmpapst.com

www.ebmpapst.com

Nominal data

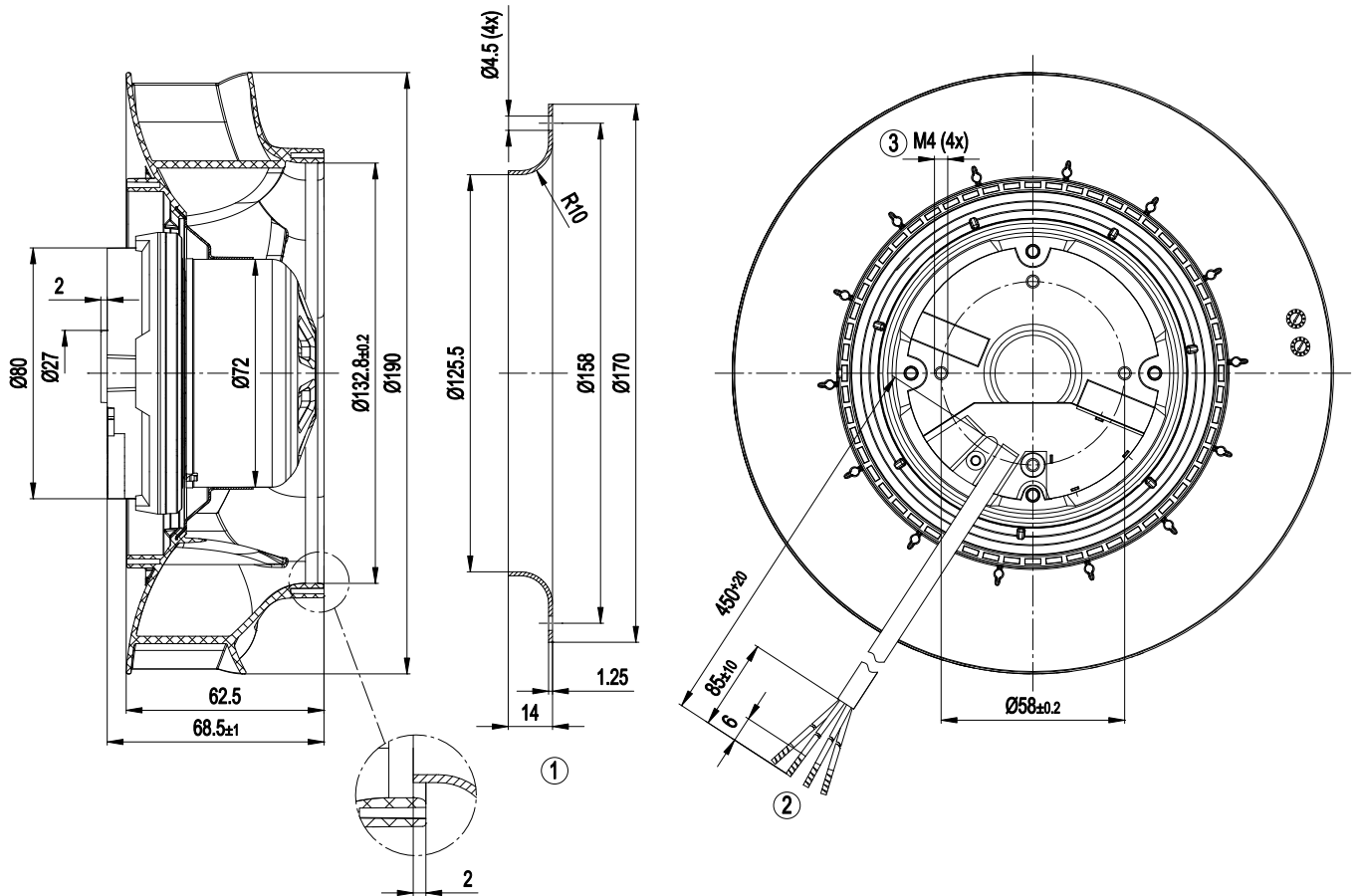
Type	R3G190-RB01-01	
Motor	M3G055-BD	
Phase		1~
Nominal voltage	VAC	230
Nominal voltage range	VAC	200 .. 240
Frequency	Hz	50/60
Type of data definition		ml
State		prelim.
Speed	min ⁻¹	2710
Power input	W	57
Current draw	A	0.43
Min. ambient temperature	°C	-25
Max. ambient temperature	°C	+60

ml = max. load · me = max. efficiency · rfa = running at free air · cs = customer specs · cu = customer unit
Subject to alterations

Technical features

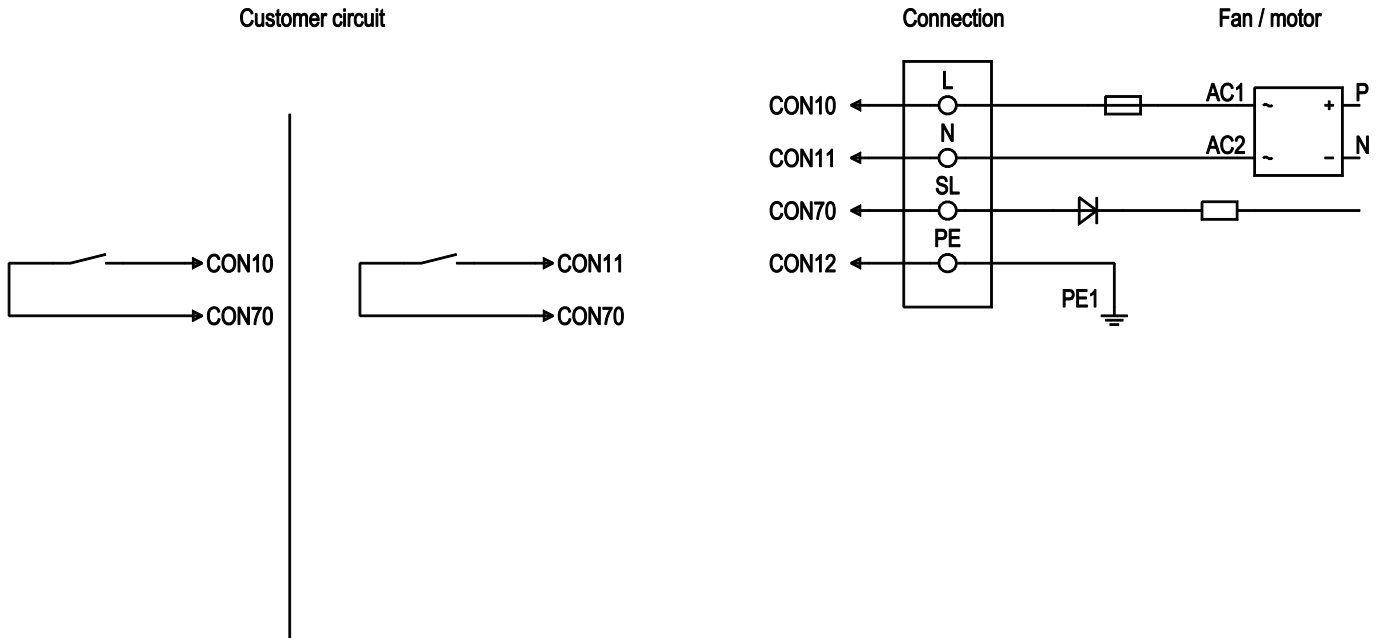
Leakage current	<= 3.5 mA
Size	190 mm
Operation mode	S1
Direction of rotation	Clockwise, seen on rotor
Speed steps	2
Mounting position	Any
EMC harmonics	Acc. to EN 61000-3-2/3
EMC interference emission	Acc. to EN 61000-6-3 (household environment)
EMC interference immunity	Acc. to EN 61000-6-2 (industrial environment)
Insulation class	"B"
Cable exit	Variable
Condensate discharge holes	None, open rotor
Motor bearing	Ball bearing
Mass	0.85 kg
Material of electronics housing	Die-cast aluminium
Material of impeller	Plastic PA6, fibreglass-reinforced
Motor protection	Locked-rotor protection
Product conforming to standard	EN 60335-1
Surface of rotor	Thick layer passivated
Number of blades	7
Type of protection	IP 44; Depending on installation and position
Protection class	I
Technical features	<ul style="list-style-type: none"> - Over-temperature protected motor - Soft start - Speed adjustment input (230 V)
Max. permissible ambient motor temp. (transp./ storage)	+80 °C
Min. permissible ambient motor temp. (transp./storage)	-40 °C

Product drawing



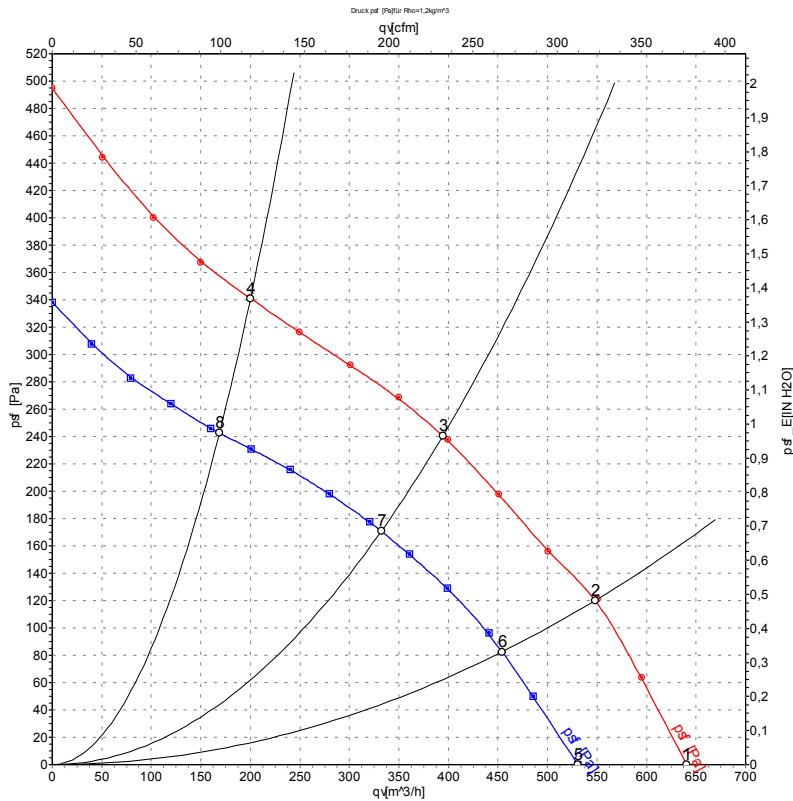
1	Accessory part: Inlet nozzle 09576-2-4013, not included in the standard scope of delivery
2	Connection line AWG20, 4 x brass lead tips crimped
3	Depth of screw max. 6 mm

Connection screen



Line	No.	Signal	Colour	Function / assignment
	CON10	L	black	Power supply 230 VAC, 50/60 Hz
	CON11	N	blue	Neutral conductor
	CON12	PE	green/yellow	Protective earth
	CON70	SL	brown	Speed selection: switch open = speed step 1, switch closed = speed step 2

Charts: Air flow 50 Hz



Measurement: LU-125487
Measurement: LU-125489

Air performance measured as per ISO 5801 Installation Category A. For detailed information on the measuring set-up, please contact ebm-papst. Suction-side noise levels: L_{wA} measured as per ISO 13347 / L_{pA} measured with 1m distance to fan axis. The values given are valid under the measuring conditions mentioned above and may vary according to the actual installation situation. With any deviation from the standard set-up, the specific values have to be checked and reviewed with the unit installed.

Measured values

	U	f	n	P ₁	I	L _{pA_{in}}	L _{wA_{in}}	qv	p _{sf}
	V	Hz	min ⁻¹	W	A	dB(A)	dB(A)	m ³ /h	Pa
1	230	50	2880	49	0.36	61	69	640	0
2	230	50	2825	52	0.40	56	64	550	120
3	230	50	2710	57	0.43	54	62	395	240
4	230	50	2810	52	0.40	60	68	200	340
5	230	50	2435	30	0.23			530	0
6	230	50	2395	32	0.25			455	83
7	230	50	2325	35	0.27			330	171
8	230	50	2385	32	0.25			170	242