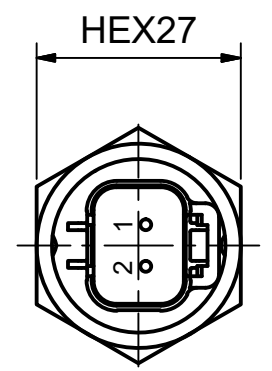


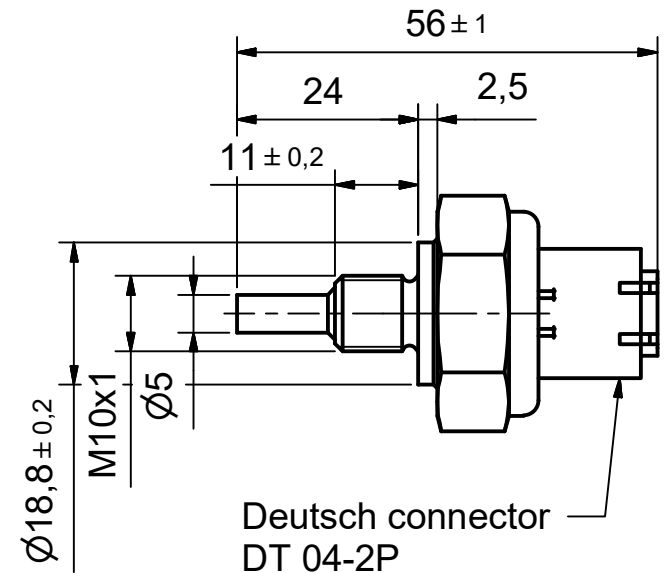
The copyright to this drawing belongs to us. No duplication or transfer to, providing access to or communicating to any third parties is allowed of its contents or excerpts thereof. This drawing may not be used without our approval for any purpose other than that for which it has been entrusted to the recipient. Any non-compliance shall obligate the violator to compensate for damages. In case any patent is issued or a utility model is registered, or in case of any other industrial property rights, all such rights must be reserved for us.

BEDIA Motorentechnik GmbH & Co.KG,
Altdorf bei Nürnberg

Das Urheberrecht an dieser Zeichnung gehört uns. Vervielfältigung, Überlassung, Zugänglichkeit oder Mitteilung des Inhalts, auch auszugsweise, an Dritte ist nicht gestattet. Die Zeichnung darf ohne unsere Zustimmung, zu einem anderen Zweck als dem Empfänger anvertraut wird, nicht benutzt werden. Zuwiderhandlung verpflichtet zu Schadensersatz. Alle Rechte, für den Fall einer Patenterteilung, Gebrauchsmustereintrag oder anderer Schutzrechte, sind uns vorbehalten.



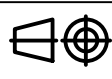

Pin Assignment 1 and 2



nominal resistance of Pt1000

Temperature [°C] ([°F])	Resistance [Ω]	Temperature [°C] ([°F])	Resistance [Ω]
-50 (-58)	842,71	60 (140)	1232,39
-40 (-40)		70 (158)	1270,71
-30 (-22)		80 (176)	1308,93
-20 (-4)		90 (194)	1347,02
-10 (14)		100 (212)	1385,00
0 (32)	1000,00	110 (230)	1422,86
10 (50)	1039,02	120 (248)	1460,61
20 (68)	1077,93	130 (266)	1498,24
30 (86)	1116,71	140 (284)	1535,76
40 (104)	1155,39	150 (302)	1573,16
50 (122)	1193,95		

Supplier:	BEDIA Motorentechnik GmbH & Co.KG, D-90518 Altdorf bei Nürnberg	
Order number:	420269	
	Screw-in measuring resistor Pt1000	
Mechanical Data:	Housing	X6CrNiMoTi17 12 2; EN 10088-3:1.4571
	Mounting thread	M10x1 thread undercut DIN3852 T1 Form-A
	Number of measurement systems	1
	Connection	Deutsch connector DT 04-2P
	Permanent marking	manufacturer's part number on hexagon
	Tightening torque	30 Nm max.
Electrical Data:	Measuring resistor	Pt1000 per DIN 60751
	Accuracy	±3 K
	Temperature range	-40°C to +15°C (-40°F to +59°F)
		+15°C to +125°C (+59°F to +257°F)
		+125°C to +170°C (+257°F to +338°F)
	Resistance value	0°C (32°F) : 1000 Ω
		100°C (212°F) : 1385 Ω
	Measuring current	≤ 1,0 mA
	Power supply	constant current or constant voltage
	Dielectric strength	according to VDE 0160 / 500 VAC, 50 Hz, 1 min
	Dielectric strength against housing	according to VDE 0100 / >10 MΩ / 500 VDC
Environmental Conditions:	Relative humidity	92% at 40°C (104°F) / 83% at 23°C (73,4°F)
	Measurement temperature range	-50°C to +250°C (-58°F to +482°F) (measured medium)
	Connector housing temperature range	ⓔ -40°C to +125°C (-40°F to +257°F)
	Storage temperature	-40°C to +125°C (-40°F to +257°F)
		-60°C (-76°F) max. 20 hours
	Vibration resistance	
	Noise test (white noise)	noise excitation 10 g ms 0,1 kHz to 2 kHz
	Shock resistance (peak)	half-sine-wave impact 50 g / 11 ms also BV 043
	Test pressure	50 bar (725.19 psi)
	Environmental protection	IP 67 per DIN 40 050
		with mounted mating connector
	EMC	VG 95 373 limit value class 2
	Measuring media	lubricating oil, hydraulic oil, fuel, cooling water, air and non-corrosive gasses

Zul. Abweichung / admissible tolerance	Oberfläche / surface	Maßstab / scale	1:1	Sprache / language	ENU	Blatt / sheet	1 / 1
ISO2768-mK							
Datum / date		Name / name		Benennung / description			
Erstellt / created by		12.09.2005		MoeMi			
Geprüft / checked by		12.09.2005		ZibGu			
e	Connector housing temperature range	12.07.16	ZimLa/StaRo	Format / Size	Maßeinheit / dimension unit in [mm]	 Screw-in measuring resistor Deutsch connector DT 04-2P	
d	revised	07.07.16	ZimLa/BonPa	A3			
c	see data	20.02.15	MoeMi/CarAg				
b	test pressure	28.10.09	MoeMi/StaRo				
a	housing	19.10.05	MoeMi/ZibGu			Zeichnungsnummer / drawing number 420269	
Zust. / rev.	Änderung/modification	Datum/date	Name/Geprüft checked by				Zng. Art/ drw.type
							DRC