

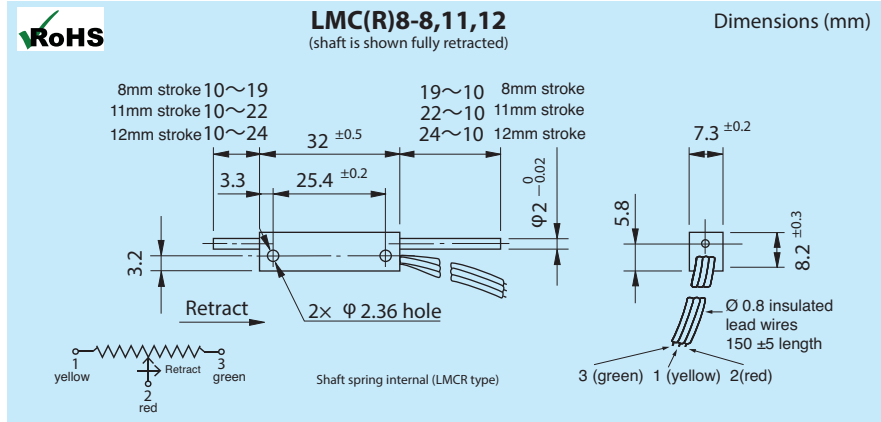
## Linear Motion Conductive Plastic Potentiometer

## Series LMC8 (w/out spring return) LMCR8 (w/spring return)



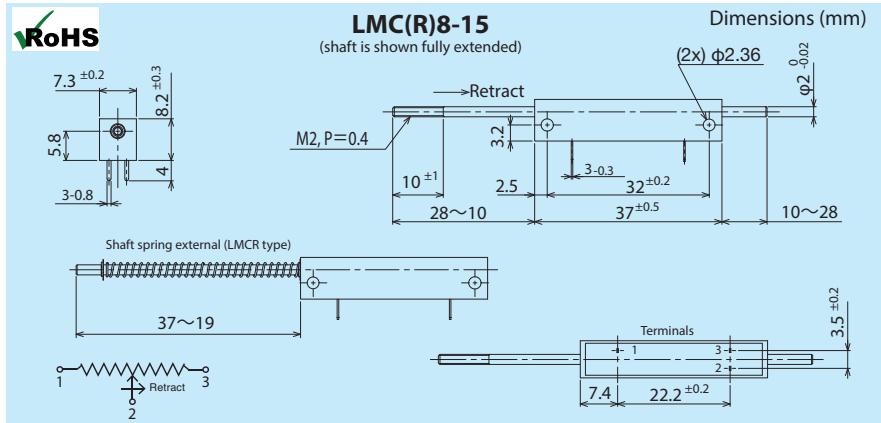
### • Standard Model Nos.

- LMC8-8 (8mm stroke without spring)
- LMCR8-8 (8mm stroke with spring return)
- LMC8-11 (11mm without spring)
- LMCR8-11 (11mm with spring return)
- LMC8-12 (12mm stroke without spring)
- LMCR8-12 (12mm with spring return)



### • Standard Model Nos.

- LMC8-15 (15mm stroke without spring)
- LMCR8-15 (15mm stroke with spring return)



### • General Specifications (Note 1)

<b>Resistance Values:</b>	1k, 2k, 5k, 10k, 20k, 50k Ω
<b>Resistance Tolerance:</b>	Standard Class ±15% Precision Class ±10%
<b>Linearity Tolerance:</b>	Standard Class ±2.0% Precision Class ±1.0%
<b>Resolution:</b>	Essentially infinite
<b>Output Smoothness:</b>	Within 0.1% against input voltage
<b>Contact Resistance Variation:</b>	Within 2% C.R.V.
<b>Temperature Coefficient:</b>	±400p.p.m./°C
<b>Power Rating:</b>	0.2W (< 15mm stroke length) 0.3W (15mm stroke length)
<b>Operating Temperature:</b>	-30°C ~ +105°C
<b>Life Expectancy:</b>	20,000,000 reciprocating motions
<b>Protection Grade:</b>	IP40 (IP54 option)

<b>Electrical Stroke:</b>	8 ±0.5mm (LMC8-8 / LMCR8-8) 11 ±0.5mm (LMC8-11 / LMCR8-11) 12 ±0.5mm (LMC8-12 / LMCR8-12) 15 ±0.5mm (LMC8-15 / LMCR8-15)
<b>Mechanical Stroke:</b>	About 9mm (LMC8-8 / LMCR8-8) About 12mm (LMC8-11 / LMCR8-11) About 14mm (LMC8-12 / LMCR8-12) About 18mm (LMC8-15 / LMCR8-15)
<b>Insulation Resistance:</b>	Over 1,000 MΩ at 500VDC
<b>Dielectric Strength:</b>	1 minute at 500V.A.C.
<b>Friction:</b>	< 0.5N (50gf) without spring return < 4N (400gf) with spring return
<b>Stopper Strength:</b>	Approx. 10N (1kgf)
<b>Vibration:</b>	15G / 10Hz to 2,000Hz 12 hours
<b>Shock:</b>	50G / 11ms 18 times
<b>Mass:</b>	Approx. 5g

### • Special Specifications Available

Special shaft machining, non-standard resistance values, IP54 sealing (friction increases), custom cabling.

Note 1: Customers should test and verify device performance in any given application. General specifications values are measured at temperatures of +15°C ~ +35°C. Specifications are subject to change without notice.