



FLEXIBLE COUPLINGS

PAULSTRA



HUTCHINSON[®]
WORLDWIDE



FLEXIBLE COUPLINGS

CONTENTS

	Page
I - GENERAL	
I.1 Function of a flexible coupling	3
I.2 Basic parameters	4
II - SELECTING A COUPLING	
II.1 Calculating the nominal torque to be transmitted	7
II.2 Safety coefficient	8
II.3 Examples	9
Coupling selection chart	10
III - EXAMPLES OF INSTALLATION	12
IV - DATA SHEETS	
MINIFLEX	13
MPP	17
JUBOFLEX	21
JUBOFLEX WITH SEPARATE HUB	23
JUBOFLEX "S"	27
STRAFLEX	29
STRAFLEX WITH SEPARATE HUB	31
TORSOFLEX	35
CARDAFLEX	37
RADIAFLEX RTP	41
CORDIFLEX	45
TETRAFLEX 160 and 250 N.m	47
TETRAFLEX 1000 to 8000 N.m	49
AXOFLEX	51
Mounting on SAE flange	56
Components for obsolete couplings :	
For RADIAFLEX coupling	57
For GV coupling	58
INDEX	59

See current price list for availability of items.
We reserve the right to modify the design and manufacture of the products and materials described in this catalogue.

The pictures of the products are supplied for information only.

The order comprises :

- the contract signed by both parties, or the purchase order and the acknowledgement of receipt,
- eventually, special or specific additional conditions,
- sale general conditions, available upon request are part of the order.

FLEXIBLE COUPLINGS

I - GENERAL

I.1 - FUNCTION OF A FLEXIBLE COUPLING

When transmitting torque from a drive shaft to a driven shaft, flexible couplings:

- absorb and dampen **irregularities** in the **torque**,
- distribute peak loads,
- allow **misalignments and offsets** between the shafts,
- permit some **distortions** in the mounting beds,
- avoid the unwelcome constraints that may occur if a rigid coupling were fitted in the same conditions,
- allow a lighter construction, with **wider tolerances**, and lower cost.

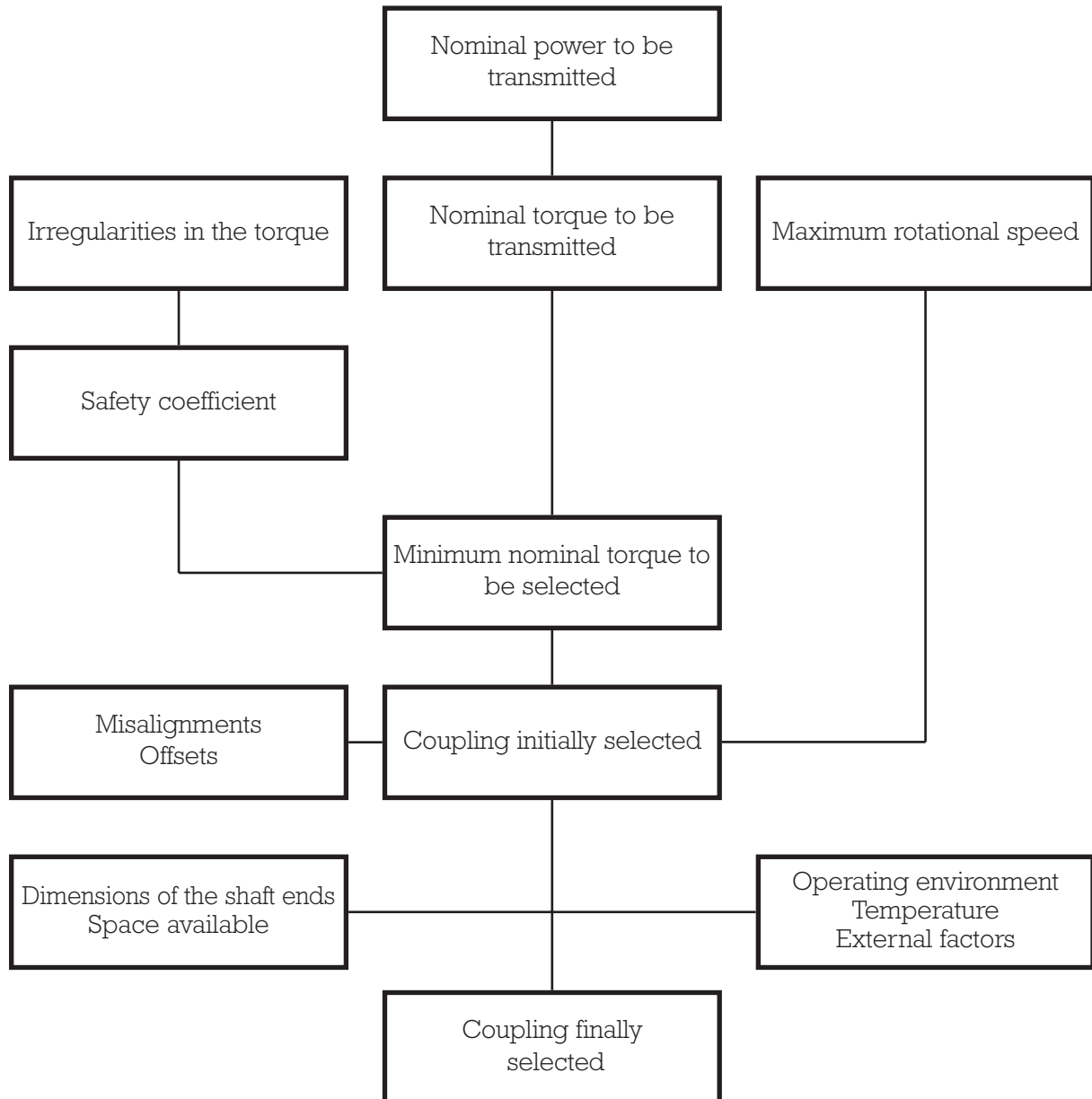
In particular, a flexible coupling is absolutely essential if the machines that are coupled are on **flexible mountings**.

Moreover, there is **no play** in a flexible coupling, and it therefore **runs silently, without friction and does not need to be greased**.



I.2 - SELECTION PARAMETERS

The procedure for selecting a coupling is set out below:



In order to select a flexible coupling, therefore, the following parameters should be known:

- **Nominal torque to be transmitted.**
- **Safety coefficient - Nominal torque of the coupling.**
- **Stiffness - Misalignments - Offset.**
- **Dimensions - Space available.**
- **Operating environment - Temperature - External factors.**

I.2.1 - Nominal torque to be transmitted

The nominal torque is the main factor which determines the dimensions of the coupling between the shafts of the machines that are connected directly to it.

The nominal torque to be transmitted is a function of the nominal power to be transmitted and the rotational speed.

$$T \text{ (N.m)} = \frac{7160 \times P \text{ (bhp)}}{N \text{ (rpm)}}$$

$$T \text{ (N.m)} = \frac{9735 \times P \text{ (Kw)}}{N \text{ (rpm)}}$$

The nominal power to be transmitted is that of the driving machine expressed in kilowatts (Kw) or brake horsepower (bhp). The couplings in PAULSTRA's standard range can transmit power from 1 Kw to more than 2,000 Kw.

The rotational speed expressed in revolutions per minute is that of the driving machine and must be less than the maximum speed of the coupling.

The couplings in PAULSTRA's standard range allow high speeds (up to 10,000 rpm), which is greater than electric motor speeds. The maximum speeds indicated can be achieved only if great care is taken during assembly.

In addition to its elastic properties, the rubber has **viscous damping** characteristics which dampen the oscillations (1) and in particular the oscillations which might become excessive during transient periods of peak load.

The dampening effect is produced by irreversibly absorbing the energy which is thus converted into heat. In order to prevent the rubber being damaged by the resultant increase in temperature, especially if running at high speed, it is important to ensure the best possible alignment.

Once the coupling has been chosen, if difficult **peak load conditions** become evident, it would be advisable to choose a flexible coupling with different characteristics.

I.2.2 - Safety coefficient

The following factors should be taken into consideration when selecting the nominal torque of the coupling :

- irregularities in the torque characteristic of the driving and the driven machines (K_1),
- frequency of start-ups (K_2),
- number of hours in operation per day (K_3).

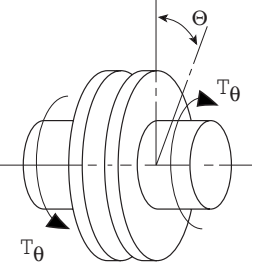
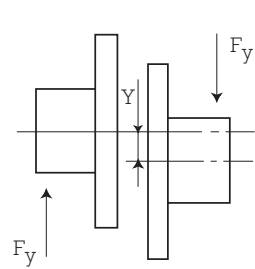
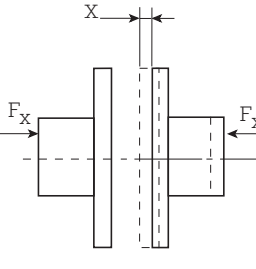
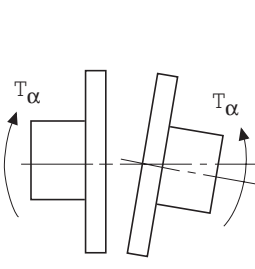
The product K of these three coefficients K_1 , K_2 , K_3 , is called the safety coefficient or the load factor.

Nominal torque of the coupling = Nominal torque to be transmitted x safety coefficient.
An excessive safety coefficient should be avoided as this tends to lead to the selection of a coupling that is oversize and too stiff.

(1) Braking force proportional to the speed of displacement.

I.2.3 - Stiffness - Misalignments - Offsets

A flexible coupling always allows, to varying degrees depending on type, structure and dimensions, displacements in four ways: axial, radial, conical and torsional. A stiffness defined for each of these cases. The stiffness affects the way in which the coupling reacts when subjected to each of the various possible displacements.

Torsional or polar stiffness	Radial stiffness	Axial stiffness	Conical stiffness
			
$K_{\theta} = \frac{\text{Torque}}{\text{Angular displacement}} = \frac{T_{\theta}}{\theta}$ expressed in m.kN/radian	$K_y = \frac{\text{Radial force}}{\text{Corresponding radial displacement}} = \frac{F_y}{Y}$ expressed in m.kN/radian	$K_x = \frac{\text{Axial force}}{\text{Corresponding axial displacement}} = \frac{F_x}{X}$ expressed in daN/mm	$K_{\alpha} = \frac{\text{Misalignment torque}}{\text{Angular misalignment}} = \frac{T_{\alpha}}{\alpha}$ expressed in m.KN/radian

It can be seen that a coupling can absorb misalignment more easily if it is very flexible (ie it is less stiff). With flexible couplings “alignment” is not an arduous, high precision operation as is the case with rigid couplings.

The forces generated by flexible couplings, which are transmitted to the shafts and supports, are, of course, proportional to the magnitude of the misalignments.

I.2.4 - Dimensions - Space occupied

When choosing the coupling, one should bear in mind:

- the dimensions (diameter and length) of the ends of the shafts to which the flanges of the coupling will be fitted,
- the space (diameter and length) available between the machines for the coupling.

I.2.5 - Operating conditions - Temperature - External factors

The natural rubber which has been selected for most of our standard couplings on the basis of its good dynamic qualities:

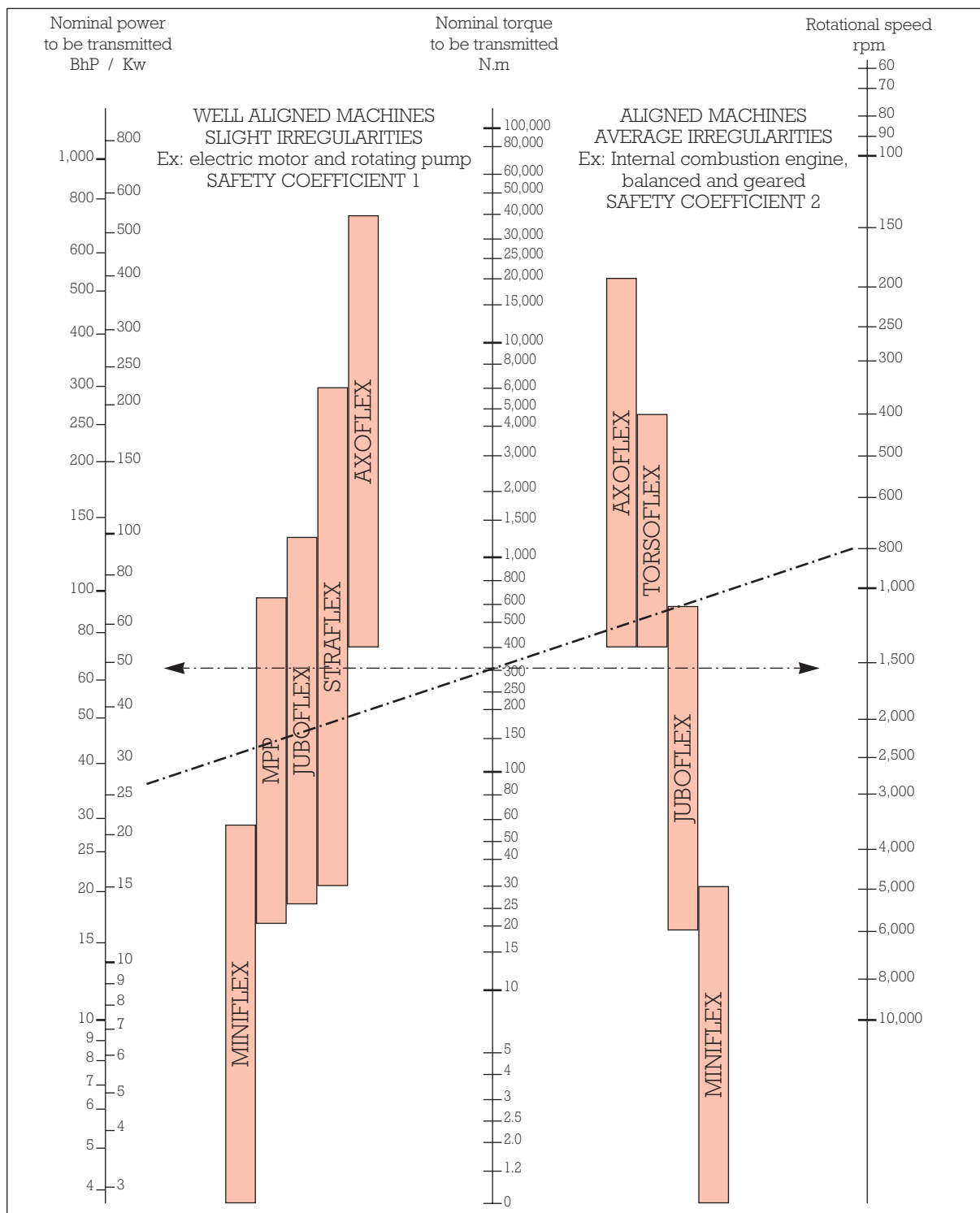
- is very good for the operating environment of most machines,
- is not affected by accidental contact with oil or petrol,
- easily withstands temperatures up to 70°C.

A temperature which is permanently higher will lead to progressive deterioration in the properties of the rubber and it would therefore be advisable to consider special compounds. Most PAULSTRA flexible couplings can be made using various types of special compounds that can withstand above average temperatures and remain serviceable in unusual conditions: prolonged contact with hydrocarbons, acids, alkalis or with unusual gases (ozone, chlorine . . .).

If operating conditions are different from those defined for our standard couplings, contact our Technical Department.

II - SELECTING A COUPLING

II.1 - CALCULATING THE NOMINAL TORQUE TO BE TRANSMITTED



Example: To calculate the torque, draw a straight line between the points representing the power to be transmitted and the rotational speed of the machine. The intersection at the central scale indicates the torque value.

Ex.: 25 bhp at 800 rpm → 300 N.m. Draw an horizontal line through this point.

The type of coupling will then be selected, bearing in mind the safety coefficient to be applied and the flexibility required. Refer to the selection chart, page 10.

II.2 - SAFETY COEFFICIENT

II.2.1 - Coefficient K_1 = Driving machine/driven machine

Driving Machine		Driven machine	Examples of driven machines
Electr. motor or turbine	Piston Engine		
		4 to 6 cylin.	1 to 3 cylin.
1	1.2	1.4	<p>1</p> <p>Smooth operation - Very low inertia</p> <ul style="list-style-type: none"> • Lay shaft • Lighting generator • Series of shafts • Centrifugal pump • Centrifugal fan...
1.2	1.4	1.7	<p>2</p> <p>Irregular operation - Low inertia</p> <ul style="list-style-type: none"> • Fluid agitator • Conveyor belt • Lift • Rotating machine tools for wood and metal • Light textile machines • Folding machines • Geared pumps • Paddle pumps • Fans...
1.4	1.7	2	<p>3</p> <p>Irregular operation - Average inertia</p> <ul style="list-style-type: none"> • Agitator for heavy liquid • Rotary compressor • Roller conveyor • Shredders • Rotary ovens • Wood machinery (planing machine, band-saw . . .) • Printing machines • Mixers • Hoists • Punch • Centrifugal pump for loaded liquid...
1.7	2	2.4	<p>4</p> <p>Irregular operation - Average inertia - Average shocks</p> <ul style="list-style-type: none"> • Concrete mixer • Bar shredder • Shot blaster • Piston compressor with fly wheel • Chain conveyor • Crane • Light rolling mill • Flour mills • Power hammer • Loom • Piston pump with fly wheel • Horizontal mills • Winches • Mine fans...
2	2.4	2.8	<p>5</p> <p>Irregular operation - High inertia - Hard shocks</p> <ul style="list-style-type: none"> • Hammer crushers • Calender (rubber, textiles...) • Piston compressor with low inertia fly wheel • Wood shredder • Excavator • Rolling mill • Piston pump with low inertia fly wheel • Forging press • Paper press • Vibrating sieve...
2.4	2.8	3.3	<p>6</p> <p>Irregular operation - Very high inertia - Very hard shocks</p> <ul style="list-style-type: none"> • Piston compressor without fly wheel • Crusher • Welding generator • Heavy rolling mill • Brick press • Piston pump without fly-wheel...

II.2.2 - Coefficient K_2 = Number of start-ups

Depending on driving machine - driven machine See table K_1	NUMBER OF START-UPS PER HOUR				
	1	10	30	60	120
1	1	1.2	1.3	1.5	1.6
2 3	1	1.1	1.2	1.3	1.4
4 5 6	1	1.05	1.1	1.2	1.2

II.2.3 - Coefficient K_3 = Number of operating hours per day

Number of operating hours per day	0 - 2	2 - 8	8 - 16	16 - 24
Coefficient K_3	0.9	1	1.1	1.2

II.2.4 - Nominal torque of the coupling

Nominal torque of the coupling = Nominal torque to be transmitted x safety coefficient.
The safety coefficient, K, is the product of the three coefficients K_1 , K_2 and K_3 .

The above parameters should enable one or two types of coupling to be selected which are suitable for the application required.

The final choice will be made on the basis of the Data Sheets for the coupling selected, checking:

- The dimensions allowed for the shaft ends.
- The space available.
- The exact values of the misalignments, offset, stiffness.
- And any other parameter (eg : installation).

II.3 - EXAMPLES

II.3.1 - Electric motor - Pump

Driving machine Standard electric motor 160 M Power : 15 Kw Speed : 3000 rpm End of shaft \varnothing : 42 mm - length : 110 mm	Driven machine : Standard C2 water pump End of shaft \varnothing : 32 mm - length : 80 mm 30 start-ups/hour 8 hours operation per day
---	---

Nominal torque to be transmitted: chart indicates 5 N.m.

Safety coefficient: $K_1=1$ $K_2=1.3$ $K_3=1$ hence $K=K_1 \times K_2 \times K_3 = 1.3$.

Nominal torque of coupling: NT = 50 N.m x 1.3 = 65 N.m.

For machines which have a regular cyclic operation with correct alignment, it is not essential to have a highly flexible coupling and so the following couplings would be pre-selected:

CARDAFLEX	80 N.m
PAULSTRA MPP	80 N.m
STRAFLEX	100 N.m

All these couplings can be used at a speed of 3,000 rpm.

In this case, the PAULSTRA MPP 80 N.m coupling would be chosen as it is the only one which will fit the diameter (42 mm) of the end of the motor shaft.

II.3.2 - Electric motor - Compressor

Driving machine: Standard 200 L electric motor Power: 30 kW Speed: 1,500 rpm End of shaft \varnothing : 55 mm - length: 110 mm	Driven machine: 2 cylinder compressor with fly wheel End of shaft \varnothing : 60 mm - length: 110 mm Less than one start-up/hour 8 hours operation per day
--	--

Nominal torque to be transmitted: chart indicates 190 N.m.

Safety coefficient: $K_1=1.7$ $K_2=1$ $K_3=1$ hence $K=1.7$.

Nominal torque of coupling: NT = 190 x 1.7 = 320 N.m.

The characteristics of the driven machine mean that high torsional flexibility is essential to absorb the cyclic irregularities.

The JUBOFLEX 350 N.m will therefore be selected, having checked that it can accommodate the shaft ends of the machines.

These examples are simple cases. In many instances, this method is adequate for selecting couplings.

In more complex cases (cyclic vibrations, for example), it is advisable to consult our Technical Department.

COUPLING SELECTION CHART

In order to make it easier to select the coupling required, this SELECTION CHART indicates the behaviour of PAULSTRA couplings when under stress.

This rating takes account of the possibilities of misalignments, offset and the resultant forces on the shafts and supports. Each condition is shown:

TORSION.	* *				* *				* * *				* *				* *			
RADIAL	* * *				*				* *				* *				* *			
AXIAL	Push fit				Push fit				* * *				* *				* *			
CONICAL	* *				*				* * *				* *				* *			
	MINIFLEX				MPP				JUBOFLEX				STRAFLEX				AXOFLEX			
NT (N.m)	Coupling Ref.	Nom. Torq. (N.m)	Speed Max (rpm)	Max shaft Ø (mm)	Coupling Ref.	Nom. Torq. (N.m)	Speed Max (rpm)	Max shaft Ø (mm)	Coupling Ref.	Nom. Torq. (N.m)	Speed Max (rpm)	Max shaft Ø (mm)	Coupling Ref.	Nom. Torq. (N.m)	Speed Max (rpm)	Max shaft Ø (mm)	Coupling Ref.	Nom. Torq. (N.m)	Speed Max (rpm)	Max shaft Ø (mm)
100,000																				
50,000																				
40,000																				
30,000																				
20,000																				
10,000																				
5,000																				
4,000																				
3,000																				
2,000																				
1,000																				
500																				
400																				
300																				
200																				
100																				
50																				
40																				
30																				
20																				
10																				
2.5																				

*separate hubs

COUPLING SELECTION CHART

Very flexible	***	Flexible	**	Semi-flexible	*	Rigid	
---------------	-----	----------	----	---------------	---	-------	--

More precise information on the values for misalignment, offset and rigidity can be found in the individual Data Sheets.

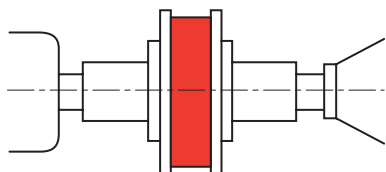
**			**			**			*			***			TORSION
			***			*			*			**			RADIAL
*			***			**			see Data Sheet			Push fit			AXIAL
			***			**						**			CONICAL
TORSOFLEX			TETRAFLEX			CARDAFLEX			RADIAFLEX RTP*			CORDIFLEX			
Coupling Ref.	Nominal Torque (N.m)	Speed Max (rpm)	Coupling Ref.	Nominal Torque (N.m)	Speed Max (rpm)	Coupling Ref.	Nominal Torque (N.m)	Speed Max (rpm)	Coupling Ref.	Nominal Torque (N.m)	Speed Max (rpm)	Coupling Ref.	Nominal Torque (N.m)	Speed Max (rpm)	Nominal Torque (N.m)
									612616	104,000					100,000
									612613	72,000					50,000
									612612	60,000					40,000
									612608	34,000					30,000
									612606	}17,500					20,000
								612416							
682140	10,000	3,000							612412	9,700					10,000
682120	5,000	3,200	630421	8,000	3,000				612410	6,900	1,500				5,000
			630420	6,000	3,000				612408	4,500	1,500				4,000
			630470	4,000	3,000				612212	4,100	2,000				3,000
682100	2,500	3,500	630419	2,500	3,000				612210	2,800	2,500				2,000
			630802	2,000	3,500				612406	2,500	1,500				
									612208	1,800	2,500				
682080	1,200	4,000										639066 43	1,200	3,000	
			630803	1,000	4,200	622407	800	622407	612206	1,100	3,000	639065 43			1,000
												639066 42	1,000	3,000	
						622406	520	622406	612204	630	3,000	639065 42			500
												639066 41	800	3,000	
									612203	470	3,000	639065 41			
												639066 40	600	3,000	
												639065 40			
															400
															300
			630408	250	6,000										200
			630400	160	6,000	622405	160	4,000							100
						622404	120	4,500							
						622403	80	5,500							
						622402	50	6,500							50
															40
						622401	30	7,000							30
															20
															10
															2.5

* See current price list for items held in stock.

Braking force proportional to the speed of displacement.

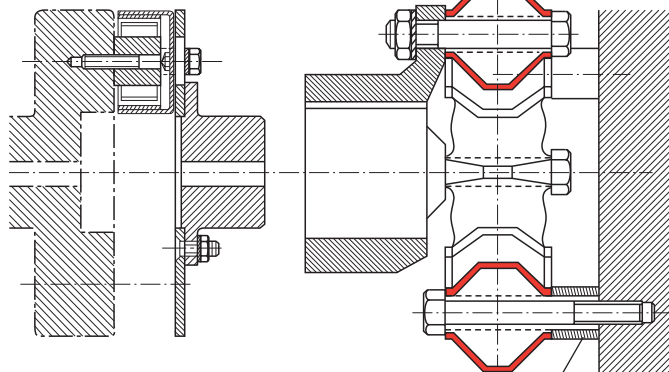
III - EXAMPLES OF INSTALLATION

III.1 Flanged shaft mounting



The most common mounting

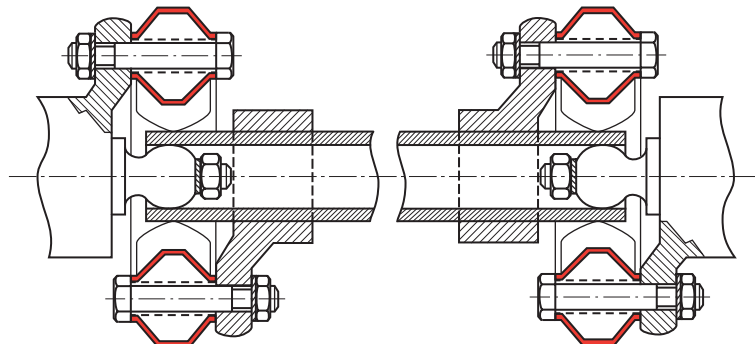
III.2 Flywheel mounting



Mounted directly on flywheel.
Ex.: AXOFLEX

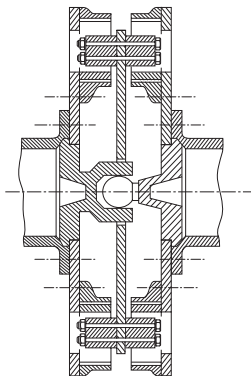
Spacer
Mounting with spacer.
Ex.: JUBOFLEX

III.3 Mounting on transmission shaft



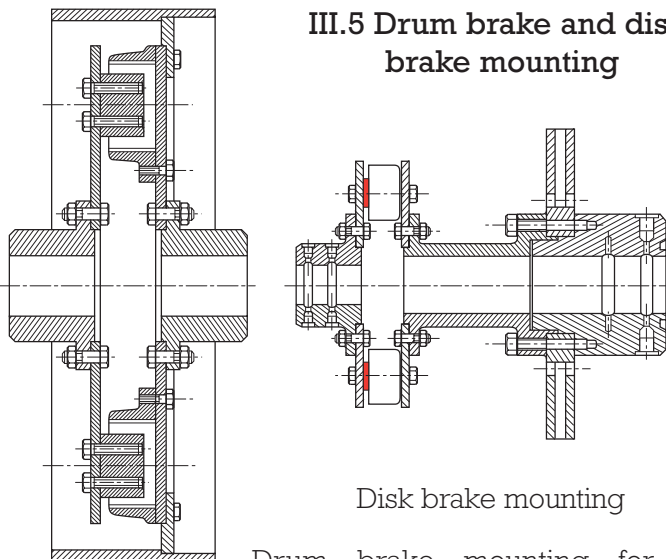
Assembly with centred transmission shaft. Ex.: JUBOFLEX

III.4 Mounting in series

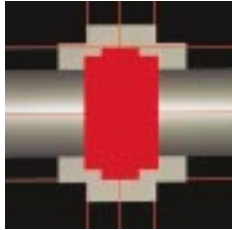


Increases the flexibility while keeping the torque constant.
Ex.: AXOFLEX coupling with two sets of studs linked by an "anti-centrifuge" disk.

III.5 Drum brake and disk brake mounting



Disk brake mounting
Drum brake mounting for our couplings with rings: AXOFLEX, RTP



MINIFLEX



Torsional flexibility



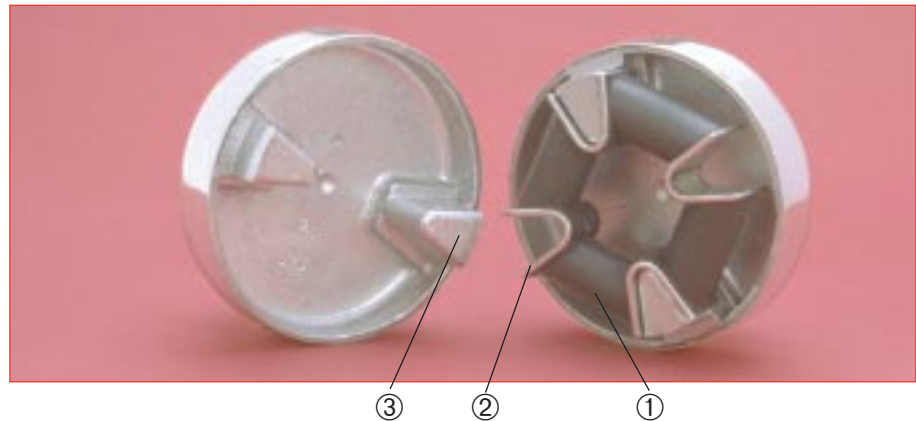
Radial flexibility

Push fit

Axial flexibility



Conical flexibility



DESCRIPTION

- Flexible element:
 - ① Natural rubber block bonded to.
 - ② V-shaped metal armatures.
- Flange: aluminium or cast-iron:
 - ③ Drive segment.

OPERATION

The MINIFLEX coupling is designed with the following features:

- Push fit assembly.
- Compact, smooth cylindrical shape without protrusions.
- The flexible element is precompressed during assembly, which extends the range of operating conditions where the rubber is not subject to tension.

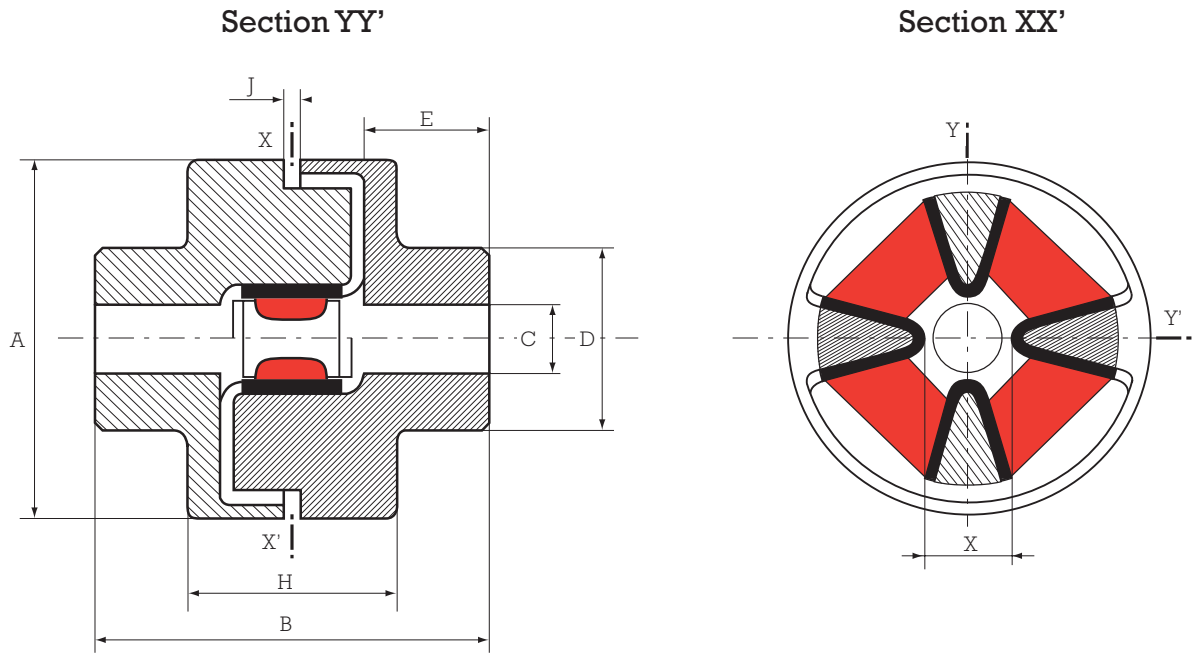
Advantages:

- Highly effective attenuation of cyclic irregularities and peaks in the torque.
- Exceptionally long-life ensured by precompressing the flexible element.
- Tolerance to large misalignment: avoids the need for precise alignment of the machines to be coupled.

Recommendation:

- It is recommended that the coupling should not be subjected to axial tension which might cause the flexible element to slip from the drive segment on the flange.

DIMENSIONS



Flange supplied unbored

	Nominal torque N.m	Max torque N.m	Max speed rpm	Max hole C mm	A mm	B mm	D mm	E mm	Reference	H mm	J mm	X mm	Weight kg
ALUMINIUM FLANGES	2.5	5	10.000	14	45	41	28	14	633040	21	2	14	0.10
	10	20	9.000	19	58	61	36	20	633010	31	2	16	0.26
	20	40	7.000	28	80	88	48	30	633020	40	4	28	0.68
CAST IRON FLANGES	2.5	5	10.000	14	45	41	28	14	633041	21	2	14	0.25
	10	20	9.000	28	58	61	42	20	633039	31	2	16	0.6
	20	40	7.000	42	84	88	63	30	633038	40	4	28	1.8
	40	80	4.000	55	118	116	82	40	633044	51	6	38	4.5
	60	120	4.000	55	118	120	82	40	633047	55	10	38	4.5

1 Nm \neq 0.1 mkg

See current price list for availability of items.

The maximum torque is considered to be infrequent, start-up torque and not periodic.

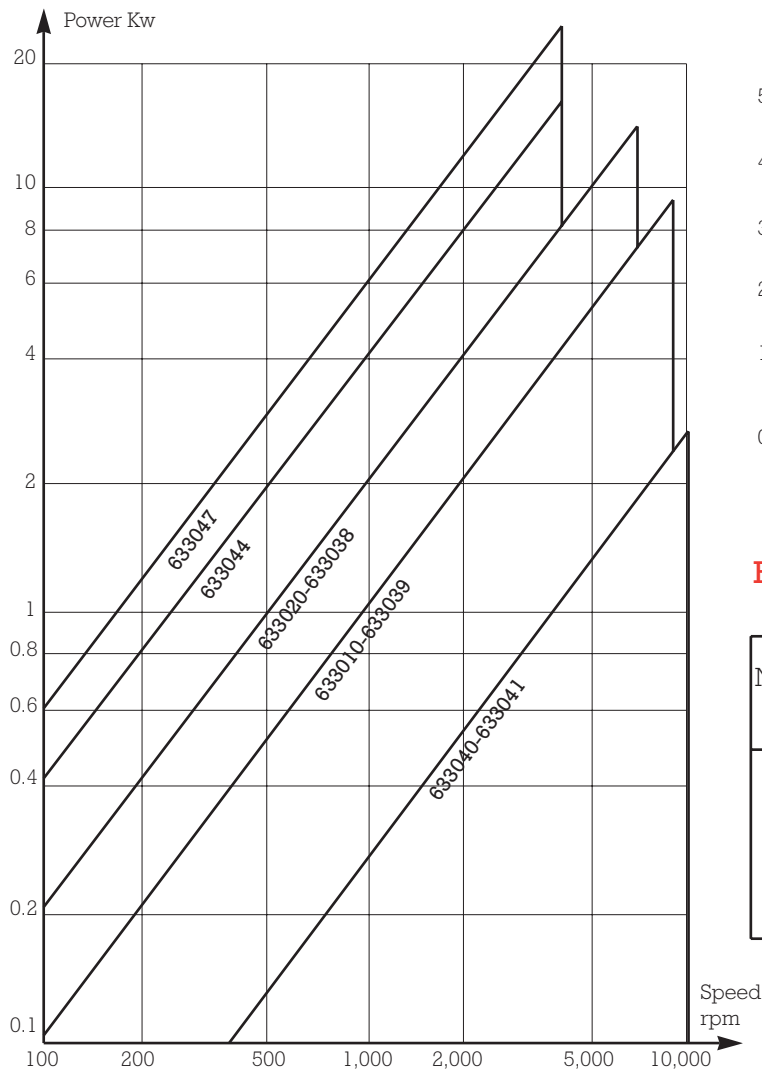
PARTS LIST

Coupling reference	Flexible element reference	Qty	Flange reference	Qty	Coupling reference	Flexible element reference	Qty	Flange reference	Qty
633010	633510	1	321521	2	633040	633501	1	321511	2
633020	633520	1	321531	2	633041	633501	1	321501	2
633038	633520	1	321534	2	633044	633540	1	321535	2
633039	633510	1	321503	2	633047	633640	1	321535	2

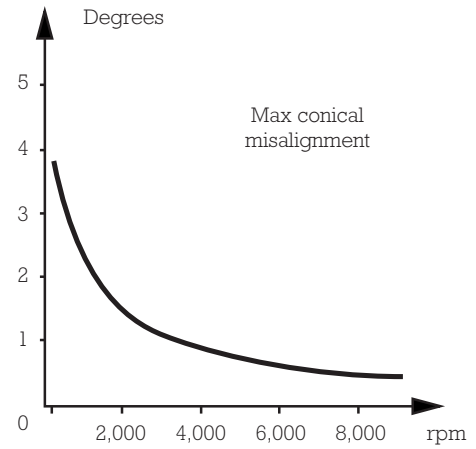


OPERATING LIMITS

POWER RANGE



CONICAL MISALIGNMENT



RADIAL MISALIGNMENT

Nominal torque N.m	Radial misalignment at 1,500 rpm
2.5	0.15 mm
10	0.25 mm
20	0.5 mm
40	1 mm
60	1 mm

OPERATING CHARACTERISTICS

Nominal torque N.m	Vibrat. coupling N.m	Torsion under NT degrees	STIFFNESS			
			AXIAL daN/mm	RADIAL daN/mm	TORSIONAL m.KN/rad.	CONICAL m.KN/rad.
2.5	1.2	28	0.3	2	0.004	0.005
10	5	28	1.5	5	0.020	0.090
20	10	24	1.25	7	0.045	0.090
40	20	18	2	8	0.126	0.022
60	30	16	4.5	12	0.214	0.034

1 Nm \neq 0.1 mkg

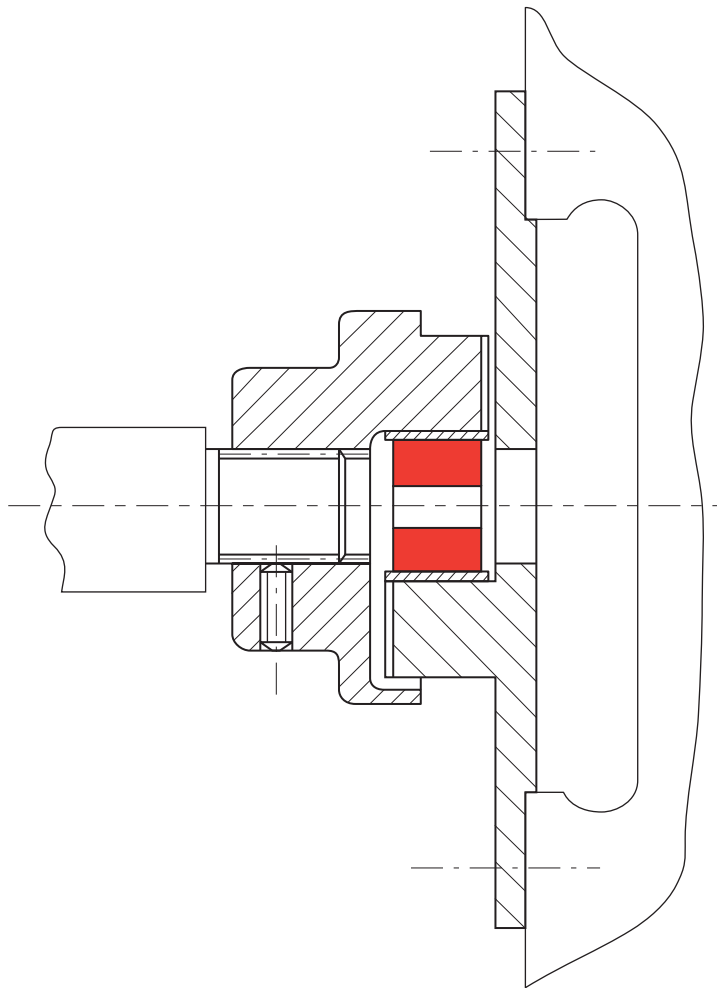


ASSEMBLY

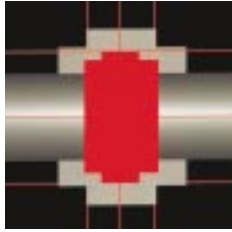
The coupling is assembled and disassembled axially which entails moving one of the machines. This procedure is not difficult and can be done quickly, as at least one of the machines being coupled is not heavy.

Method:

- Fit an opposing pair of armatures of the flexible element half-way onto the drive segments of one flange.
- Position the second flange.
- Push the two flanges together to engage the armatures of the flexible element.
- Release.

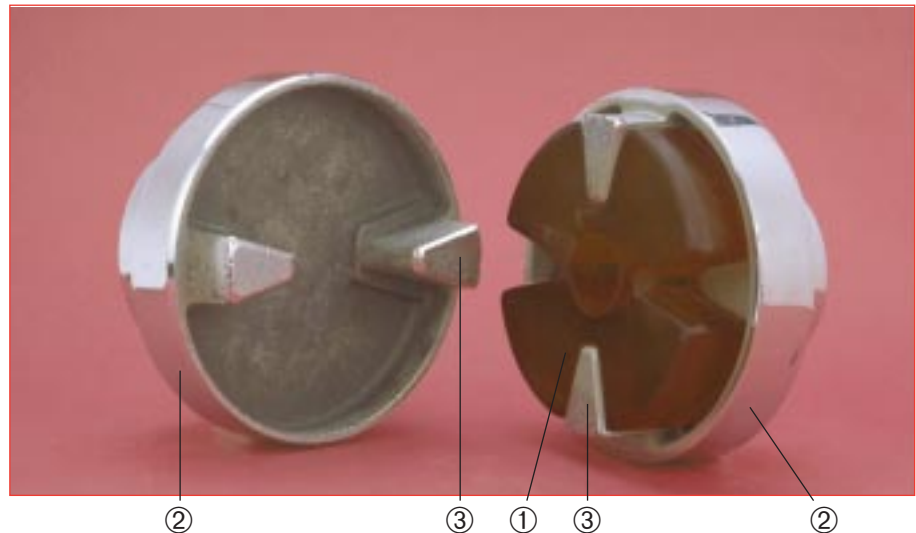


Example: electric motor/pump coupling mounted on fly wheel and grooved shaft.



MPP

* *	Torsional flexibility	*	Radial flexibility	Push fit	Axial flexibility	*	Conical flexibility
-----	-----------------------	---	--------------------	----------	-------------------	---	---------------------



DESCRIPTION

- Flexible element ① : polyurethane in the form of a Maltese cross.
- Flange ② : cast iron with drive segments ③ supplied unbored (except 633054 and 633055).

Variations: For assemblies with a ring or spacer, consult our technical manuals.

OPERATION

The MPP coupling is designed with the following features:

- Push fit assembly,
- Smooth, compact cylindrical shape, without protrusions,
- The flexible element operates under compression,
- Safe in use,
- Temperature range - 30°C to + 70°C in continuous operation.

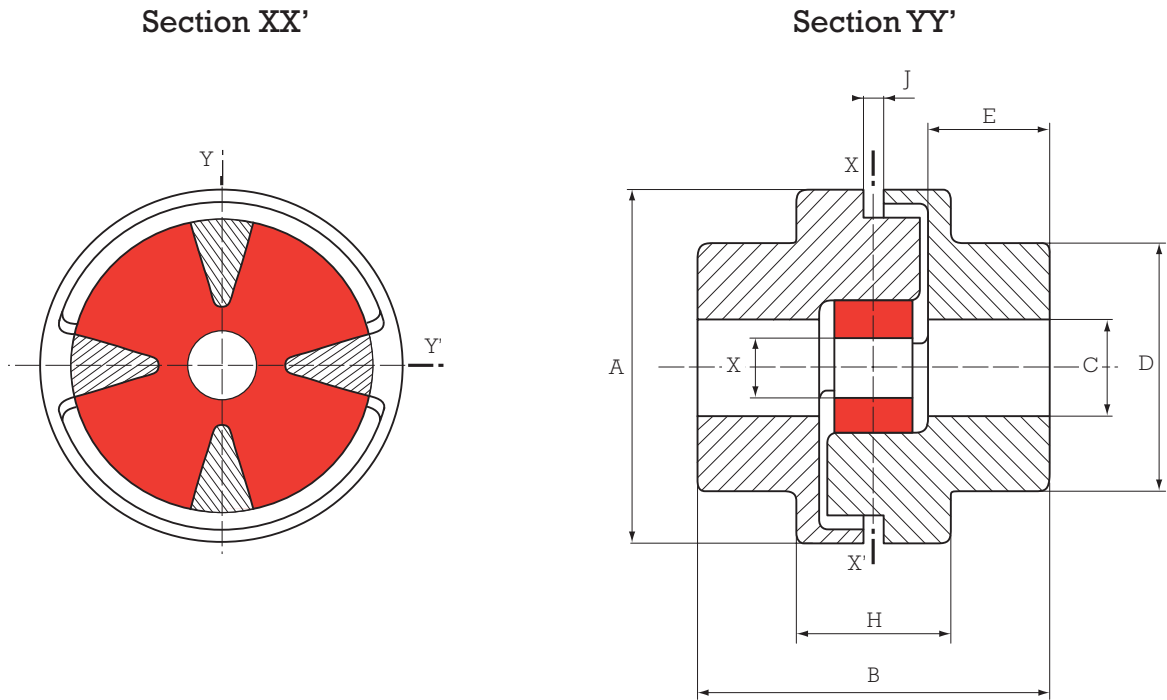
Advantages:

- Reduced size,
- Easy to use.

Recommendation:

- It is recommended that the coupling should not be subjected to axial tension which might cause the flexible element to slip off the drive segments on the flanges.

DIMENSIONS



Type	Nominal torque N.m	Max torque N.m	Max speed rpm	Hole size C mm		A mm	B mm	D mm	E mm	Reference	H mm	J mm	X mm	Weight kg
				min	max									
MPP 3	30	90	9000	-	28	58	62	42	20	633052	32	3	10	0.6
MPP 8	80	240	7000	-	42	84	89	63	30	633053	41	5	13	1.8
MPP 20	200	600	4000	-	55	118	116	82	40	633051	51	6	20	4.5
MPP 38	380	1150	3000	20	60	145	160	90	60	633054	67	6	30	9.4
MPP 65	650	2000	3000	20	75	170	208	112	80	633055	82	6	32	18

1Nm \neq 0.1 mkg

See current price list for availability of items.

The maximum torque is considered to be an infrequent start-up torque and not periodic.

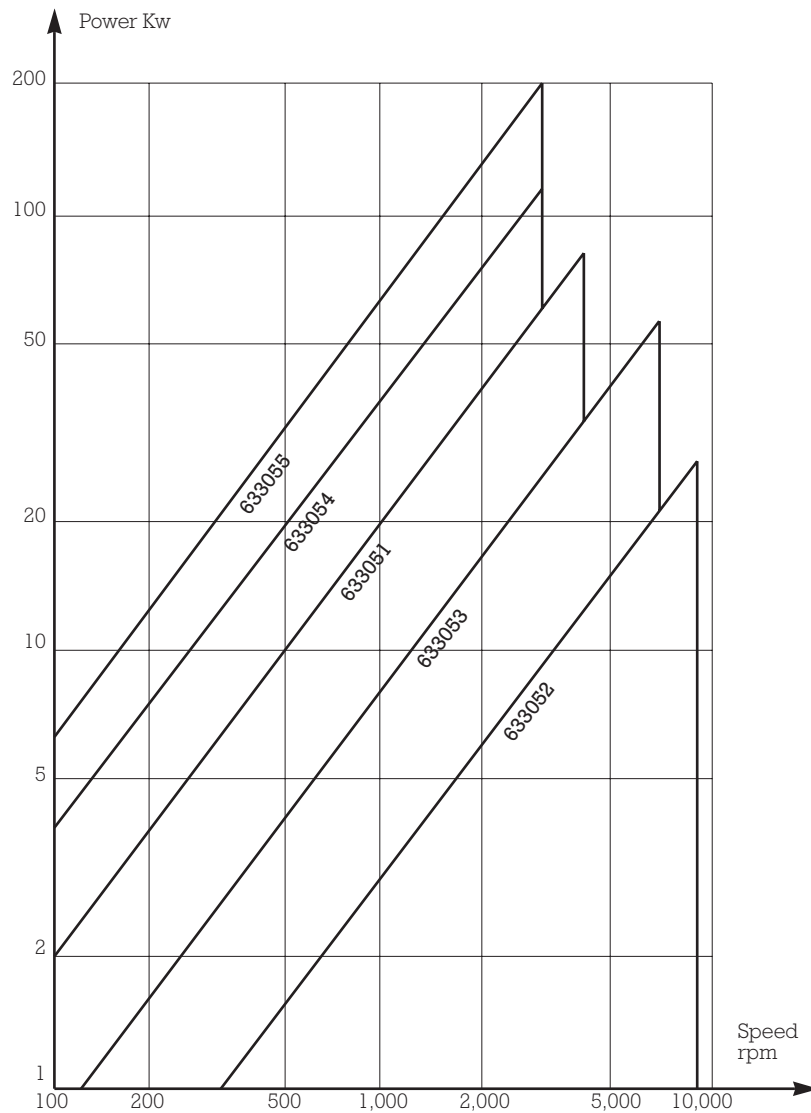
PARTS LIST

Coupling reference	Flexible element reference	Qty	Flange reference	Qty	Coupling reference	Flexible element reference	Qty	Flange reference	Qty
633051	633551	1	321535	2	633054	633554	1	321464	2
633052	633552	1	321503	2	633055	633555	1	321465	2
633053	633553	1	321534	2					



OPERATING LIMITS

POWER RANGE



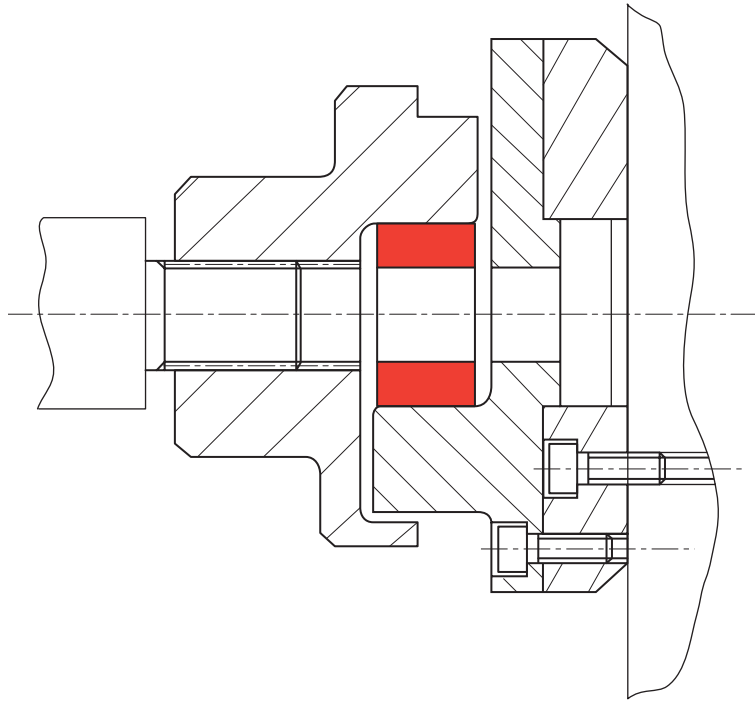
OPERATING CHARACTERISTICS

Nominal torque N.m	Vibratory torque N.m	Torsion under NT degrees	Radial misalignment* mm	Conical misalignment* degrees	Axial misalignment mm
30	15	10°	0.2	1°	1.5
80	40	10°	0.4	1°	2.5
200	100	10°	0.9	1°	3
380	380	10°	1	1°	3
650	650	10°	1	1°	4

* given for a speed of 3,000 rpm.



ASSEMBLY



Example: electric motor/centrifugal pump coupling: mounted on motorised flywheel using an adaptor.

SELECTION GUIDE

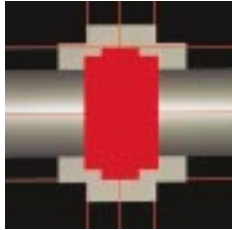
PAULSTRA MPP® / STANDARD, 50 HZ ASYNCHRONOUS THREE PHASES MOTORS

This table uses a safety coefficient of 1.3 corresponding to normal operating conditions of commonly used driven machines.

Motor type	Power 2 poles n ≈ 3000 rpm		Type of coupling	Power 4 poles n ≈ 1500 rpm		Type of coupling	Power 6 poles n ≈ 1000 rpm		Type of coupling	Power 8 poles n ≈ 750 rpm		Type of coupling	Shaft dimensions D x E	
	Kw	HP.		Kw	HP.		Kw	HP.		Kw	HP.		≈ 3000 rpm	≈ 1500 rpm
56	0.09 0.12	0.12 0.16	MPP 3 MPP 3	0.06 0.09	0.08 0.12	MPP 3 MPP 3	0.06 0.09	0.08 0.12	MPP 3 MPP 3					9 x 20
63	0.18 0.25	0.25 0.34	MPP 3 MPP 3	0.12 0.18	0.16 0.25	MPP 3 MPP 3	0.12 0.18	0.16 0.25	MPP 3 MPP 3					11 x 23
71	0.37 0.55 0.55	0.5 0.75 0.75	MPP 3 MPP 3 MPP 3	0.25 0.37 0.37	0.34 0.5 0.5	MPP 3 MPP 3 MPP 3								14 x 30
80	0.75 1.1	1 1.5	MPP 3 MPP 3	0.55 0.75	0.75 1	MPP 3 MPP 3	0.37 0.55	0.5 0.75	MPP 3 MPP 3					19 x 40
90 S 90 L	1.5 2.2	2 3	MPP 3 MPP 3	1.1 1.5	1.5 2	MPP 3 MPP 3	0.75 1.1	1 1.5	MPP 3 MPP 3					24 x 50
100 L	3	4	MPP 3 MPP 3	2.2 3	3 4	MPP 3 MPP 3	1.5	2	MPP 3	0.75 1.1	1 1.5	MPP 3 MPP 3		28 x 60
112 M	4	5.5	MPP 3	4	5.5	MPP 3	2.2	3	MPP 3	1.5	2	MPP 3		28 x 60
132 S	5.5 7.5	7.5 10	MPP 8	5.5	7.5	MPP 8	3	4	MPP 8	2.2	3	MPP 8		38 x 80
132 M				7.5	10	MPP 8	4 5.5	5.5 7.5	MPP 8 MPP 8	3	4	MPP 8		38 x 80
160 M 160 L	11 15 18.5	15 20 25	MPP 8 MPP 8 MPP 8	11 15	15 20	MPP 20 MPP 20	7.5 11	10 15	MPP 20 MPP 20	4 5.5 7.5	5.5 7.5 10	MPP 8 MPP 20 MPP 20		42 x 110
180 M 180 L	22	30	MPP 20	18.5 22	25 30	MPP 20 MPP 20	15	20	MPP 20	11	15	MPP 20		48 x 110
200 L	30 37	40 50	MPP 20 MPP 20	30	40	MPP 38	18.5 22	25 30	MPP 38 MPP 38	15	20	MPP 38		55 x 110
225 S 225 M	45	61	MPP 38	37 45	50 61	MPP 38 MPP 38	30	40	MPP 38	18.5 22	25 30	MPP 38 MPP 38	56 x 110	60 x 140
250 M	55	75	MPP 38	55	75	MPP 65	37	50	MPP 65	30	40	MPP 65	60 x 140	65 x 140
280 S	75	100	MPP 65	75	100	MPP 65	45	61	MPP 65	37	50	MPP 65	65 x 140	75 x 140

For assemblies with flange or spacer: ask our technical notes.





JUBOFLEX



Torsional flexibility



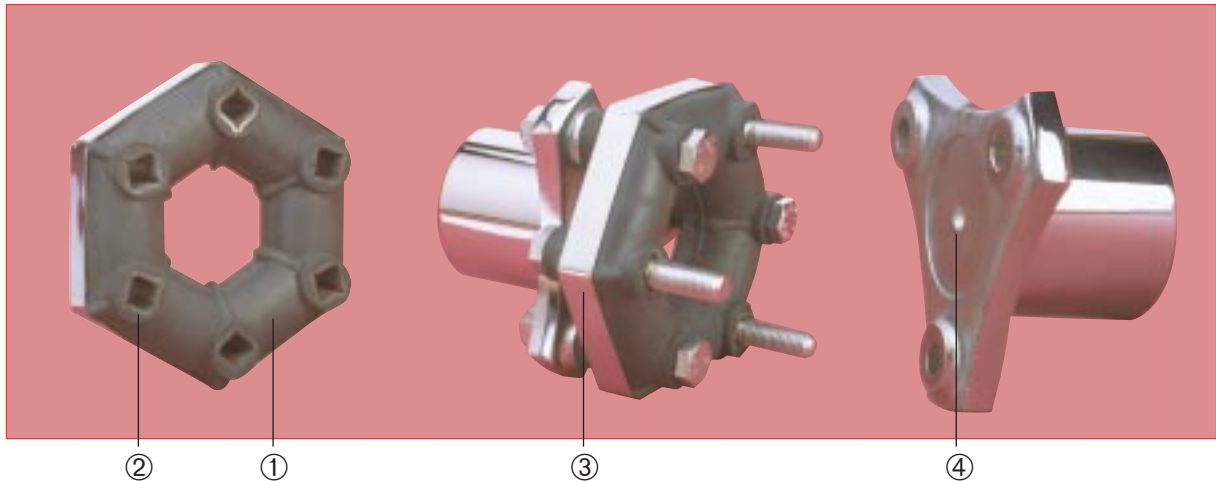
Radial flexibility



Axial flexibility



Conical flexibility



DESCRIPTION

- Flexible element:
 - ① Precompressed natural rubber,
 - ② Bonded metal spacers,
 - ③ Precompression band (to be removed after installation).
- Flange:
 - ④ Die-cast steel (except 632320 which is cast-iron).

OPERATION

The JUBOFLEX coupling is designed with the following features:

- Radial disassembly without moving the machines that are coupled.
- The flexible element is precompressed during assembly, which extends the range of operating conditions where the rubber is not subject to tension.

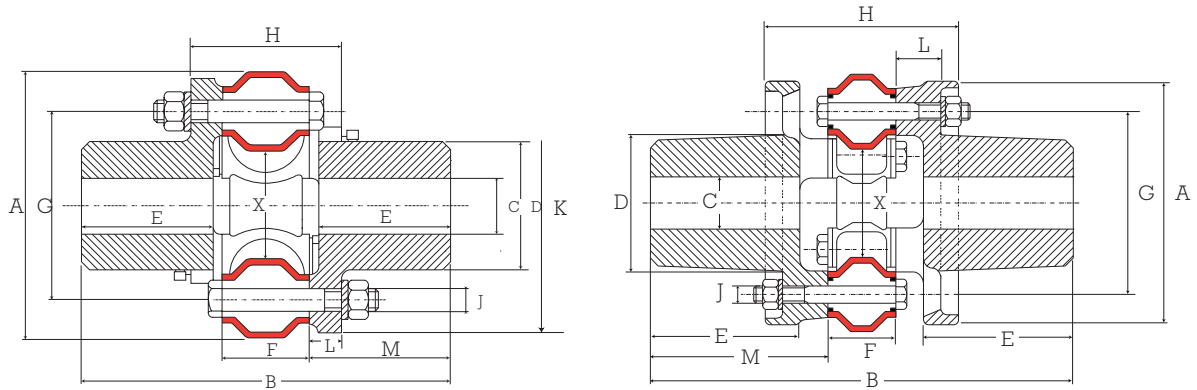
Advantages:

- Highly effective attenuation of cyclic irregularities and peaks in the torque.
- Very safe in use and the precompression ensures very high resistance to oscillation
- Tolerance to large misalignment: avoids the need for precise alignment of the machines to be coupled.

Recommendation:

- In use, precompression is achieved by the fixing bolts, and the JUBOFLEX coupling operates without the precompression band round the flexible element.

DIMENSIONS



JUBOFLEX Steel flanges except 632320 **JUBOFLEX Cast-iron flanges : ref. 632320**

Nominal torque N.m	Max torque N.m	Max speed rpm	Hole size C mm		A mm	B mm	D mm	E mm	Reference (without protector)	F mm	G mm	H mm	J mm	K mm	L mm	M mm	X* mm	Weight kg
			min	max														
40	120	6000		30	91	128	42	47	632027	28	65	50	8	87	11	50	23	2
90	270	5000		40	117	172	56	66	632023	32	85	60	10	113	14	70	35	3
160	480	4500		48	142	196	68	70	632017	46	100	80	12	135	17	75	40	5
250	750	3500		60	181	247	90	93	632029	51	132	93	14	172	21	98	63	12
350	1050	3000		70	202	284	105	109	632031	54	150	96	18	196	21	115	68	18
500	1500	2800		75	232	322	115	124	632043	62	170	108	20	225	23	130	75	25
700	2100	2400		80	263	346	122	133	632025	68	190	116	20	246	24	139	82	32
1200	3600	2400	60	100	280	486	156	172	632320	78	210	222	20	-	52	204	110	57

1 mN ≠ 0.1 mkg

* Diameter of passage in flexible element under the nominal torque.

See current price list for availability of items.

The maximum torque is considered to be an infrequent start-up torque and is not periodic. For higher nominal torques see "JUBOFLEX 'S'".

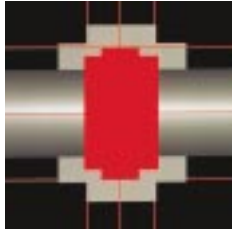
PARTS LIST

The flexible elements are delivered precompressed using a precompression band which should be removed after installation. For subsequent maintenance, use the disassembly band shown in the Parts List.

Coupling without protector reference	Flexible element reference	Qty	Flange reference	Qty	Disassembly band reference
632017	632505	1	321334	2	331243
632023	632503	1	321324	2	331242
632025	632511	1	321364	2	331246
632027	632502	1	321314	2	331241
632029	632507	1	321344	2	331244
632031	632508	1	321354	2	331245
632043	632500	1	321374	2	331247
632020	632520*	1	321390	2	331240

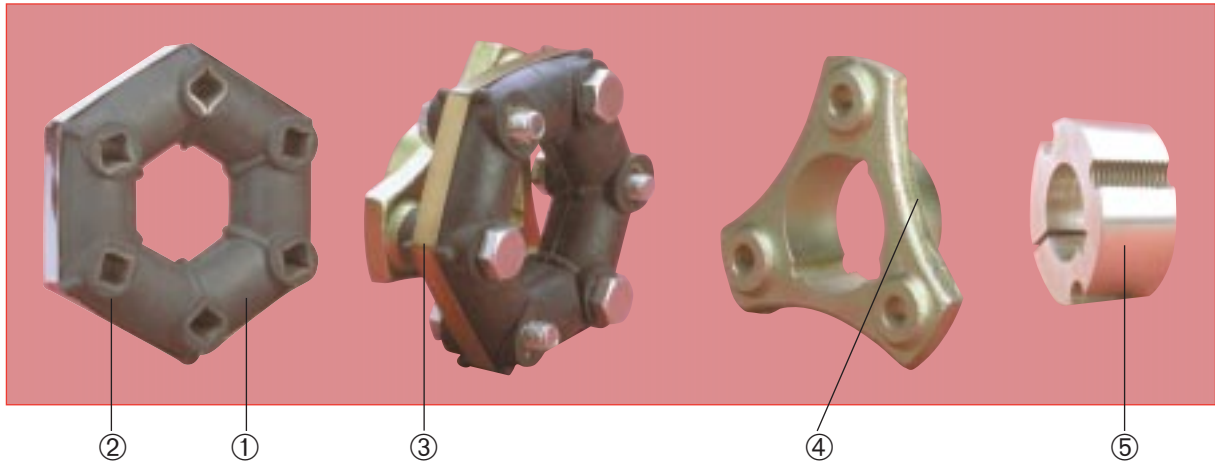
* This element has 8 mounting holes.





JUBOFLEX WITH SEPARATE HUB

* * *	Torsional flexibility	* *	Radial flexibility	* * *	Axial flexibility	* * *	Conical flexibility
-------	-----------------------	-----	--------------------	-------	-------------------	-------	---------------------



DESCRIPTION

- Flexible element:
 - ① Precompressed natural rubber.
 - ② Bonded metal spacers.
 - ③ Precompression band (to be removed after installation).
- Flange:
 - ④ Die-cast steel specially bored to fit the separate hub.
 - ⑤ Universal separate hub (not supplied by PAULSTRA).

OPERATION

In addition to the characteristics described above, the separate hub used in conjunction with the JUBOFLEX coupling provides the advantage :

Ready to assemble without machining the flanges.

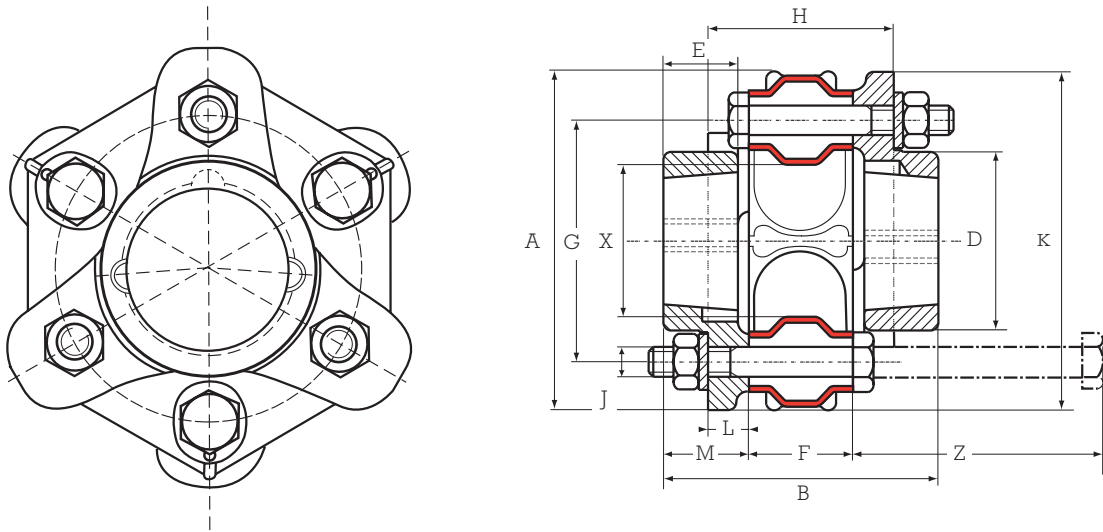
Advantages:

- Reduced size.
- Simplified axial positioning.
- Easy to assemble and disassemble.
- Reduction of costs by simplifying the machining required for the shafts and flanges.

Recommendation:

- In use, precompression is achieved by the fixing bolts and the JUBOFLEX coupling operates without the precompression band round the flexible element.

DIMENSIONS



Nominal torque N.m	Max torque N.m	Max speed rpm	Separate hub*	Ref.	A mm	B mm	D mm	E mm	F mm	G mm	H mm	J mm	K mm	L mm	M mm	X mm	Z mm	Weight kg
40	120	6000	SEE PARTS LIST	632205	91	74	48	20	28	65	54	8	91	11	23	23	65	0.8
90	270	5000		632210	117	90	60	25	32	85	65	10	121	14	29	35	75	1.6
160	480	4500		632217	142	106	70	25	46	100	81	12	140	17	30	40	90	2.7
250	750	3500		632226	181	121	95	30	51	132	91	14	177	21	35	63	100	5

1 Nm \neq 0.1 mkg

*** For shaft diameters, refer to the hub manufacturers' specifications.**

The maximum torque is considered to be an infrequent start-up torque and is not periodic. For higher nominal torques see "JUBOFLEX 'S'".

PARTS LIST

The flexible elements are delivered precompressed using a precompression band which should be removed after installation.

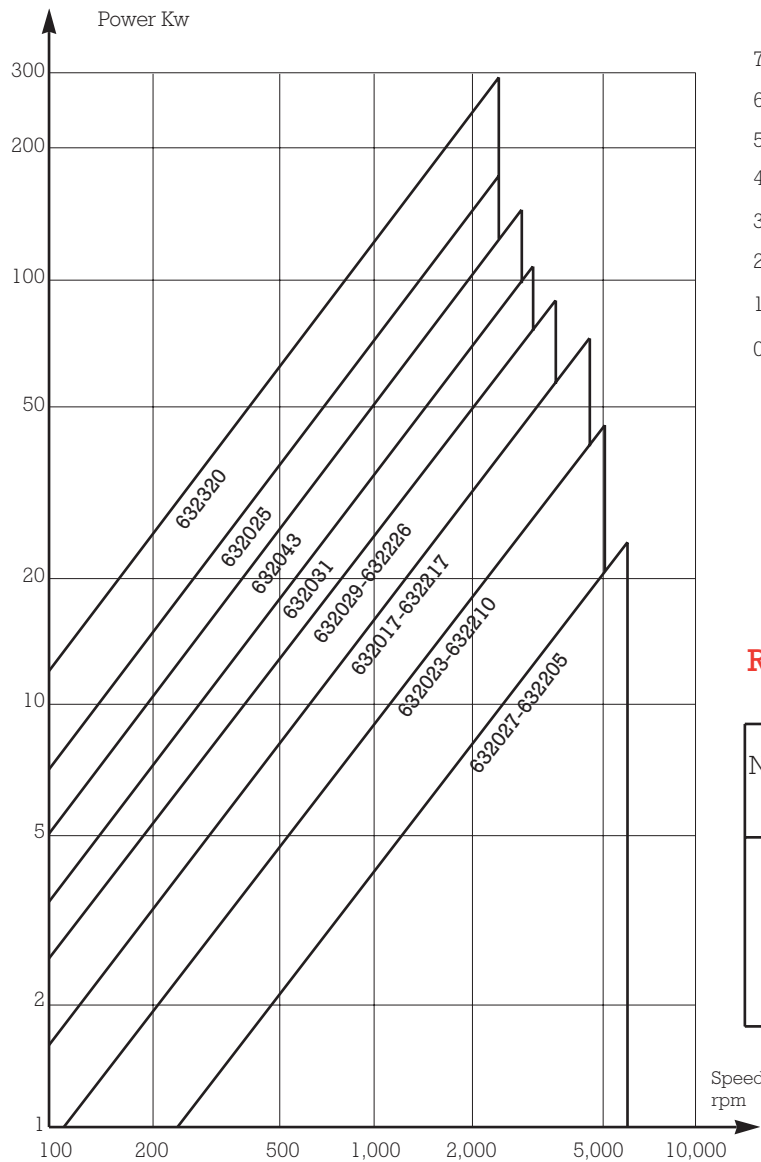
For subsequent maintenance, use the disassembly band shown in the Parts List.

Coupling reference	Flexible element reference	Qty	Flange reference	Qty	Disassembly band reference	SEPARATE HUB	
						Current reference	Universal reference
632205	632502	1	321316	2	321241	28-20	11-08
632210	632503	1	321326	2	321242	30-25	12-10
632217	632505	1	321336	2	321243	40-25	16-10
632226	632507	1	321346	2	321244	50-30	20-12

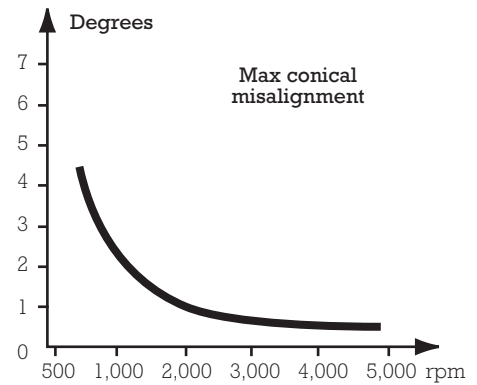


OPERATING LIMITS

POWER RANGE



CONICAL MISALIGNMENT



RADIAL MISALIGNMENT

Nominal torque N.m	Radial misalignment at 1,500 rpm
40	0.7 mm
90	0.9 mm
160	1.4 mm
250	1.5 mm
350	1.8 mm
500	2.0 mm
700	2.1 mm
1200	2.4 mm

OPERATING CHARACTERISTICS

Nominal torque N.m	Vibratory coupling N.m	Torsion under NT degrees	STIFFNESS			
			AXIAL daN/mm	RADIAL daN/mm	TORSIONAL m.KN/rad.	CONICAL m.KN/rad.
40	20	8	6	20	0.285	0.04
90	45	8	8	30	0.57	0.057
160	80	8	11	45	1.14	0.143
250	125	7	11.5	30	2.12	0.57
350	175	7	10	30	2.75	0.57
500	250	7	11	30	4.3	0.57
700	350	8	12	35	4.5	0.86
1200	600	6.30	15	60	10.6	1.14

1 Nm \neq 0.1 mkg

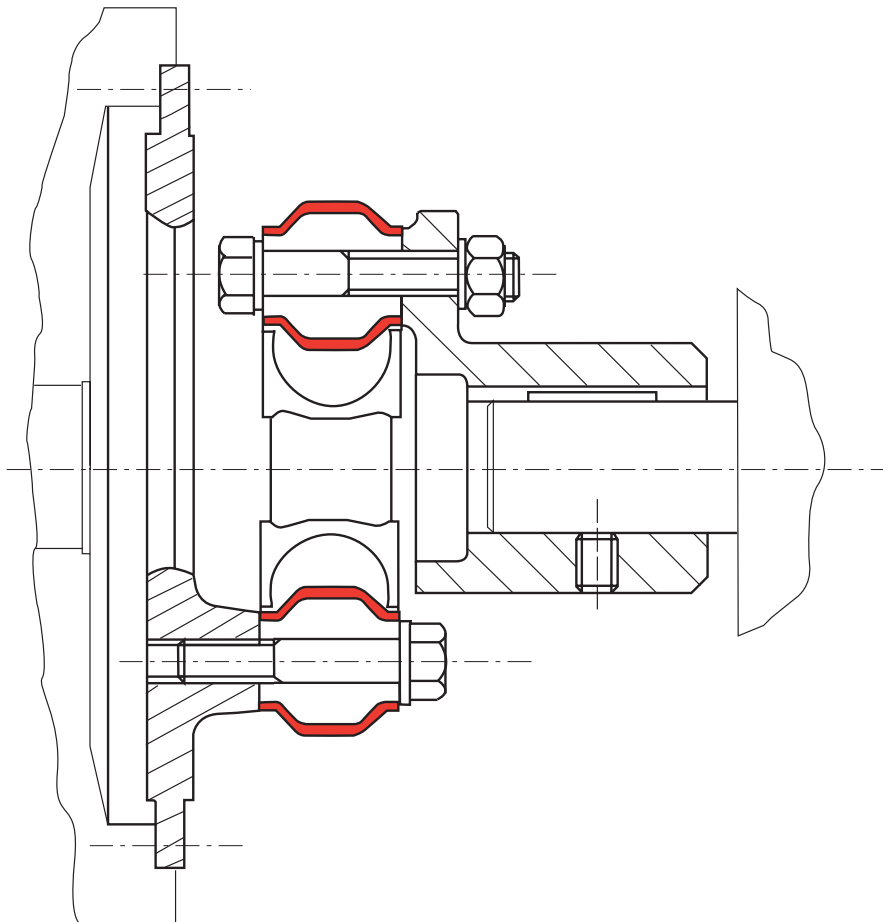


ASSEMBLY

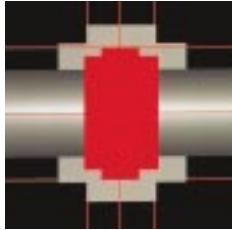
- Precompression for the initial installation is achieved by a band ③ placed round the outside (our flexible elements are delivered with this band).
- Position the flexible element with its band to attach three non-adjacent holes to the three arms of one flange, and then the three other holes to the other flange.
- Tighten the bolts to the following torques:

Nominal torque N.m	Reference	Torque value N.m
40	632027/632205	21
90	632023/632210	41
160	632017/632217	72
250	632029/632226	113
350	632031/632502	240
500	632043/632503	350
700	632025/632505	350
1200	632320/632507	350

- Cut the original band or remove the disassembly band.



Example: internal combustion engine/generator coupling mounted on a ring attached to the fly wheel.



JUBOFLEX "S"



Torsional flexibility



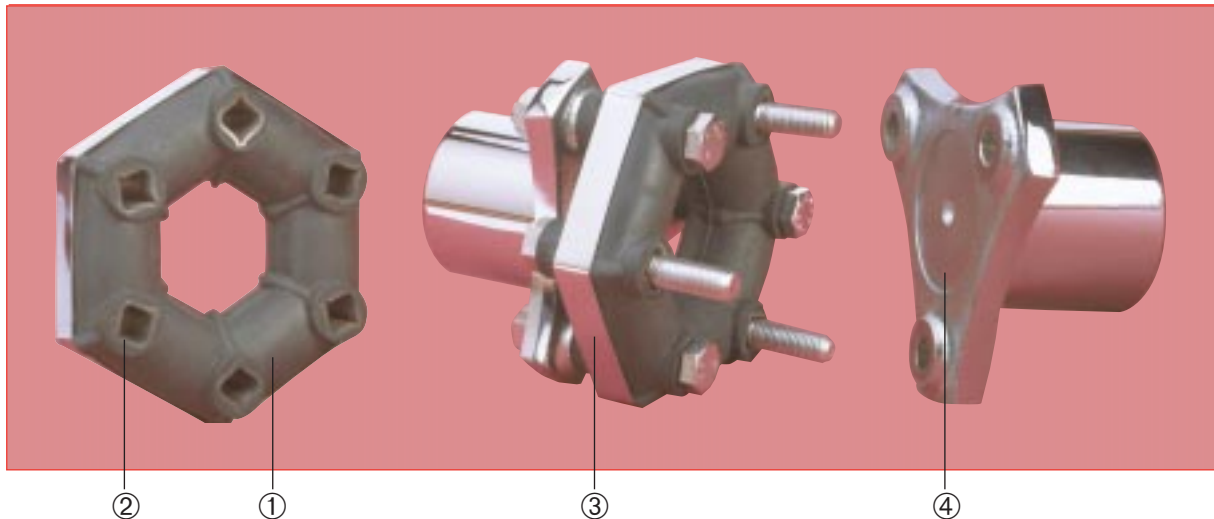
Radial flexibility



Axial flexibility



Conical flexibility



DESCRIPTION

- Flexible element:
 - ① Precompressed natural rubber.
 - ② Bonded metal reinforcing mountings.
 - ③ Precompression band (to be removed after installation).
- Flange:
 - ④ Die-cast steel (except 632267 which is cast-iron).

OPERATION

The JUBOFLEX "S" coupling is designed with the following features:

- Radial disassembly without moving the machines that are coupled.
- The flexible element is compressed during assembly, which extends the range of operating conditions where the rubber is not subject to tension.

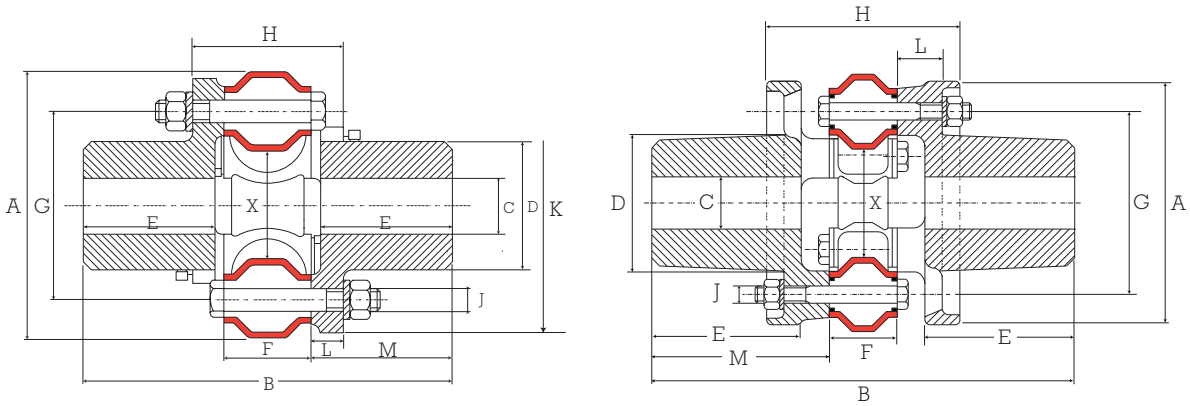
Advantages:

- JUBOFLEX "S" has a greater load capacity than the standard JUBOFLEX.
- Highly effective attenuation of cyclic irregularities and peaks in the torque.
- Due to the precompression, the JUBOFLEX "S" has very good resistance to torsional peaks.
- Tolerance to large misalignment: avoids the need for precise alignment of the machines to be coupled.

Recommendation:

- In use, precompression is achieved by the fixing bolts, and the JUBOFLEX "S" coupling operates without the precompression band round the flexible element.

DIMENSIONS



JUBOFLEX Steel flanges except 632267 **JUBOFLEX Cast-iron flanges: ref. 632267**

Nominal torque N.m	Vibrat. torque N.m	Max torque N.m	Max speed rpm	Hole size C mm		A mm	B mm	D mm	E mm	Reference (without protector)	F mm	G mm	H mm	J mm	K mm	L mm	M mm	X* mm	Weight kg
				mini	max														
60	30	120	6000		30	91	128	42	47	632260	28	65	50	8	87	11	50	23	2
130	65	270	5000		40	117	172	56	66	632261	32	85	60	10	113	14	70	35	3
240	120	480	4500		48	142	196	68	70	632262	46	100	80	12	135	17	75	40	5
370	185	750	3500		60	181	247	90	93	632263	51	132	93	14	172	21	98	63	12
520	260	1050	3000		70	202	284	105	109	632264	54	150	96	18	196	21	115	68	18
750	375	1500	2800		75	232	322	115	124	632265	62	170	108	20	225	23	130	75	25
1050	525	2100	2400		80	263	346	122	133	632266	68	190	116	20	246	24	139	82	32
1800	900	3600	2400	60	100	280	486	156	172	632267	78	210	222	20	-	52	204	110	57

1 N.m \neq 0.1 mkg

* Diameter of passage in flexible element under the nominal torque.

See current price list for availability of items.

The maximum torque is considered to be an infrequent start-up torque and is not periodic.

PARTS LIST

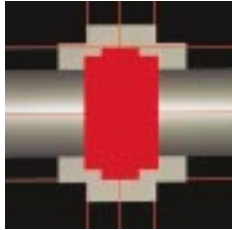
The flexible elements are delivered precompressed using a precompression band which should be removed after installation.

For subsequent maintenance, use the disassembly band shown in the parts list.

Coupling without protector	Reference	Qty	Flange reference	Qty	Disassembly band reference
632262	632552	1	321334	2	331243
632261	632551	1	321324	2	331242
632266	632556	1	321364	2	331246
632260	632550	1	321314	2	331241
632263	632553	1	321344	2	331244
632264	632554	1	321354	2	331245
632265	632555	1	321374	2	331247
632267	632557*	1	321390	2	331240

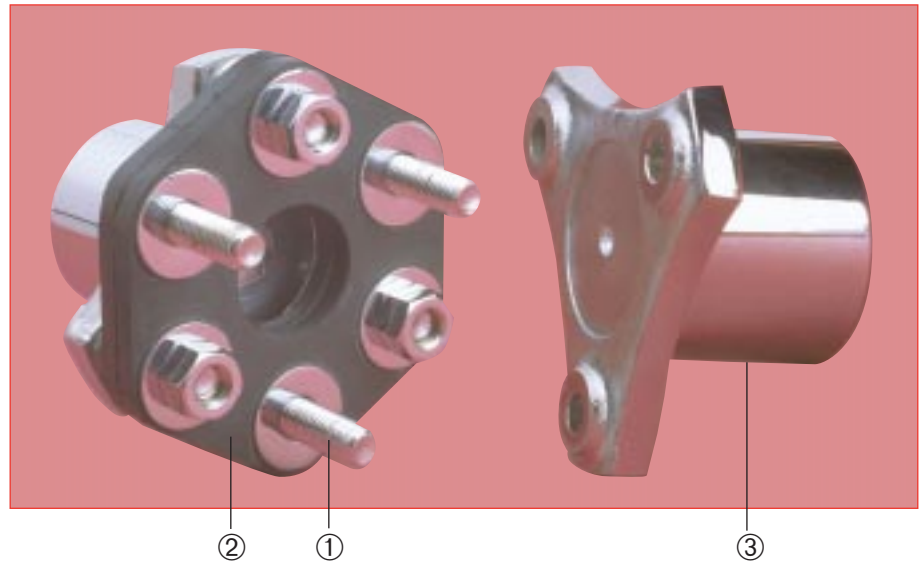
* This element has 8 mounting holes.





STRAFLEX

* Torsional flexibility	* Radial flexibility	* * Axial flexibility	* * Conical flexibility
-------------------------	----------------------	-----------------------	-------------------------



DESCRIPTION

- Flexible element:
 - ① Metallic bobbins linked together by rayon fibres.
 - ② The whole unit ① is potted in natural rubber and is hexagonal.
- Flange ③ : forged steel.

OPERATION

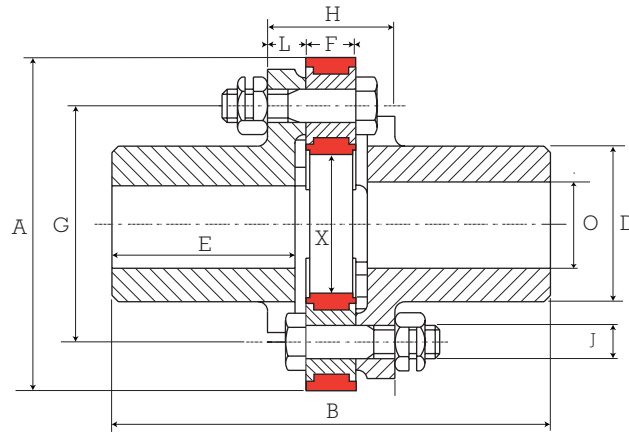
The STRAFLEX coupling is designed with the following features:

- Radial disassembly without moving the machines that are coupled.
- Reduced size.
- Used at relatively high rotational speeds.

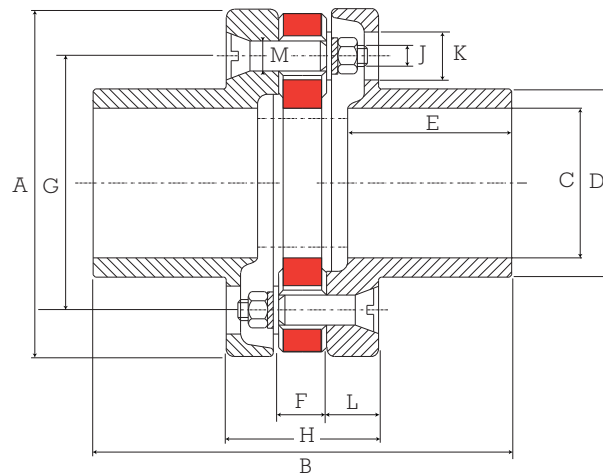
Recommendation:

- The reinforced textile structure means that it has a low tolerance to irregularities in the torque.

DIMENSIONS



Assembly of models ref. 635301, 635302, 635303, 635304



Assembly of models ref. 635105, 635106, 635107: screws with countersunk heads

Warning: The coupling ref. 635100 is equipped with melted studs instead of the standard bolts. Its assembly is done simply by pushing the elements on the flanges.

Nominal torque N.m	Max torque N.m	Max speed rpm	Hole size C mm		A mm	B mm	D mm	E mm	Reference	F mm	G mm	H mm	J mm	K mm	L mm	M mm	X mm	Weight kg
			min	max														
50	100	6000	-	30	78	80	43	32	635100	12	50	32	-	-	8	7.8	20	1.3
100	200	5500	-	30	94	115	42	40	635301	15	65	37	10	-	11	-	28	1.6
200	400	5000	-	40	120	158	56	66	635302	18	85	46	12	-	14	-	40	3
400	800	4500	-	48	140	171	68	70	635303	21	100	55	14	-	17	-	44	5.5
800	1600	3500	-	60	178	222	90	93	635304	26	132	68	16	-	21	-	66	12
1600	3200	2800	-	100	232	280	126	110	635105	32	170	102	14	32	35	20	86	36
3200	6400	2400	-	110	268	340	142	123	635106	42	190	130	16	37	44	24	94	50
6000	12000	2000	-	145	330	424	184	160	635107	48	240	136	16	37	44	24	120	97

1 Nm \neq 0.1 mkg

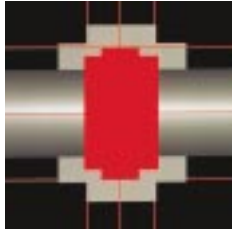
See current price list for availability of items.

The maximum torque is considered to be an infrequent start-up torque and is not periodic.

PARTS LIST

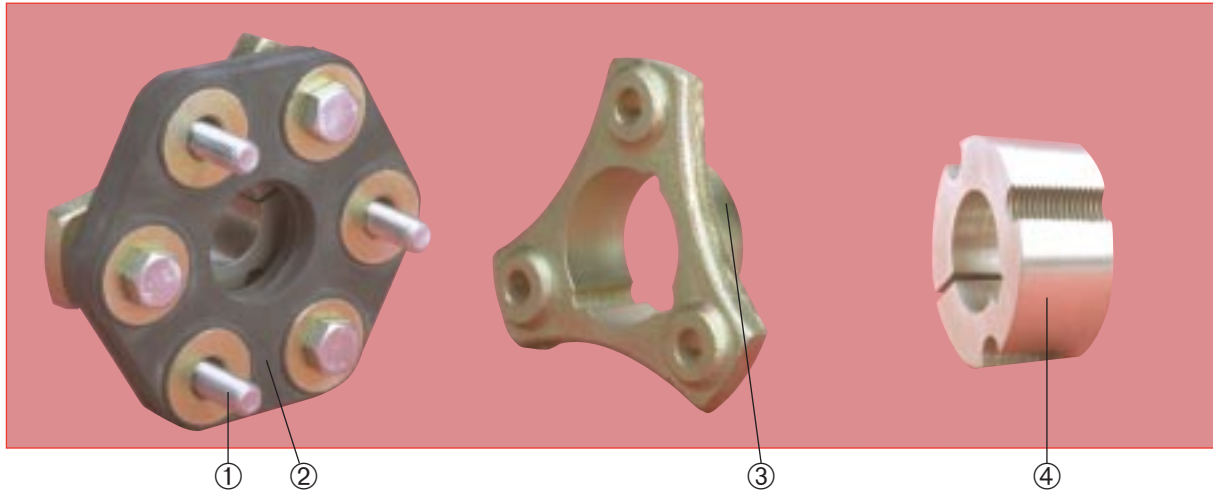
Coupling reference	Flexible element ref.	Qty	Flange reference	Qty	Coupling reference	Flexible element ref.	Qty	Flange reference	Qty
635100	635631	1	331100	2	635301	635632	1	321315	2
635105	635636	1	321826	2	635302	635633	1	321325	2
635106	635637	1	331106	2	635303	635634	1	321335	2
635107	635619	1	331107	2	635304	635635	1	321345	2





STRAFLEX WITH SEPARATE HUB

*	Torsional flexibility	*	Radial flexibility	* *	Axial flexibility	* *	Conical flexibility
---	-----------------------	---	--------------------	-----	-------------------	-----	---------------------



DESCRIPTION

- Flexible element:
 - ① Metallic bobbins linked together by rayon fibres.
 - ② The whole unit ① is potted in natural rubber and is hexagonal.
- Flange:
 - ③ Forged steel specially bored to accommodate the separate hub.
 - ④ Universal separate hub (not supplied by PAULSTRA).

OPERATION

In addition to the characteristics described above, the separate hub used in conjunction with the STRAFLEX coupling provides the advantage : ready to assemble without machining.

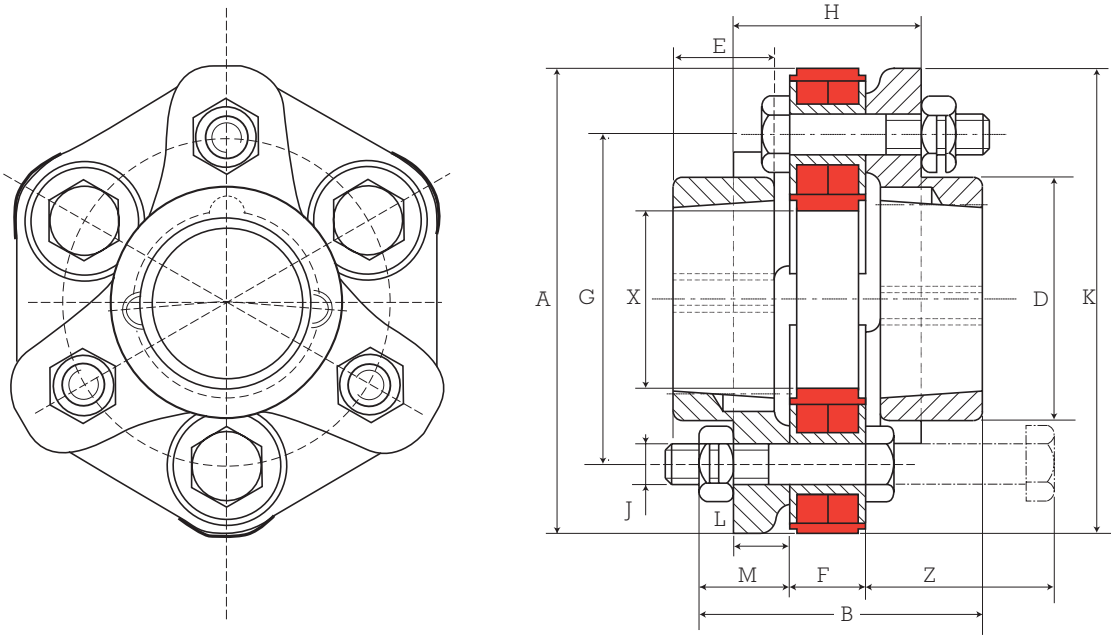
Advantages:

- Reduced size.
- Simplified axial positionning.
- Easy to assemble and disassemble.
- Reduction of costs by simplifying the machining required for the shafts and flanges.

Recommendation:

- The reinforced textile structure means that it has a low tolerance to irregularities in the torque.

DIMENSIONS



Nominal torque N.m	Max torque N.m	Max speed rpm	Separate hub*	Ref.	A mm	B mm	D mm	E mm	F mm	G mm	H mm	J mm	K mm	L mm	M mm	X mm	Z mm	Wg kg
100	200	5500	SEE PARTS LIST	635305	94	61	48	20	15	65	41	8	91	11	23	28	45	0.9
200	400	5000		635306	120	76	60	25	18	85	51	12	121	14	29	40	60	1.6
400	800	4500		635307	140	81	70	25	21	100	56	14	140	17	30	44	70	2.7
800	1600	3500		635308	178	96	95	30	26	132	66	16	177	21	35	66	80	5

1 N.m ≈ 0.1 mkg

* For shaft diameters, refer to the hub manufacturers' specifications.

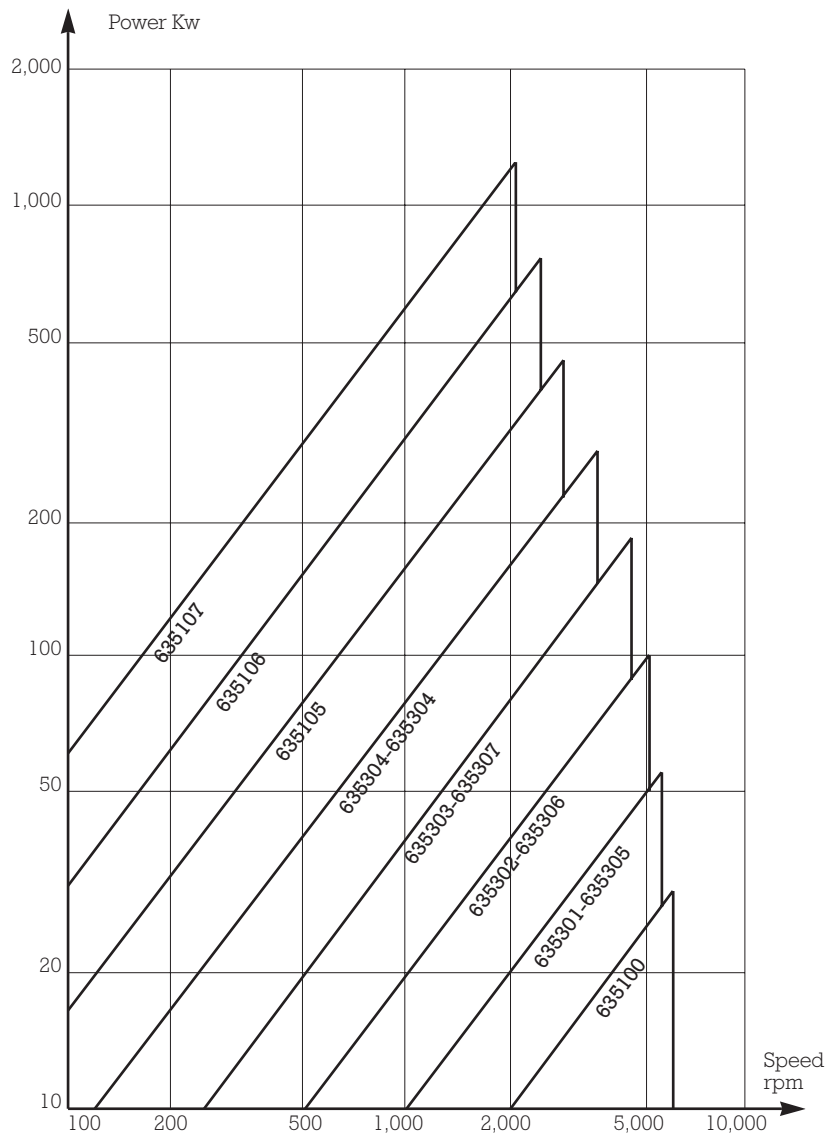
The maximum torque is considered to be an infrequent start-up torque and not periodic.

PARTS LIST

Coupling reference	Flexible element reference	Qty	Flange reference	Qty	SEPARATE HUB	
					Current reference	Universal reference
635305	635632	1	321316	2	28 - 20	11 - 08
635306	635633	1	321815	2	30 - 25	12 - 10
635307	635634	1	321819	2	40 - 25	16 - 10
635308	635635	1	321827	2	50 - 30	20 - 12

OPERATING LIMITS

POWER RANGE



OPERATING CHARACTERISTICS

Nominal torque N.m	Vibrat. coupling N.m	Torsion under NT degrees	STIFFNESS			
			AXIAL daN/mm	RADIAL daN/mm	TORSIONAL m.KN/rad.	CONICAL m.KN/rad.
50	25	6	30	150	0.46	0.08
100	50	3	20	70	1.9	0.114
200	100	1°45	25	180	6.6	0.2
400	200	2°30	60	150	9.2	0.29
800	400	1°45	30	150	26	0.57
1600	800	2°20	50	150	40	1.43
3200	1600	2	120	180	73	2.3
6000	3000	2	75	200	172	3.44

1 Nm \approx 0.1 mkg

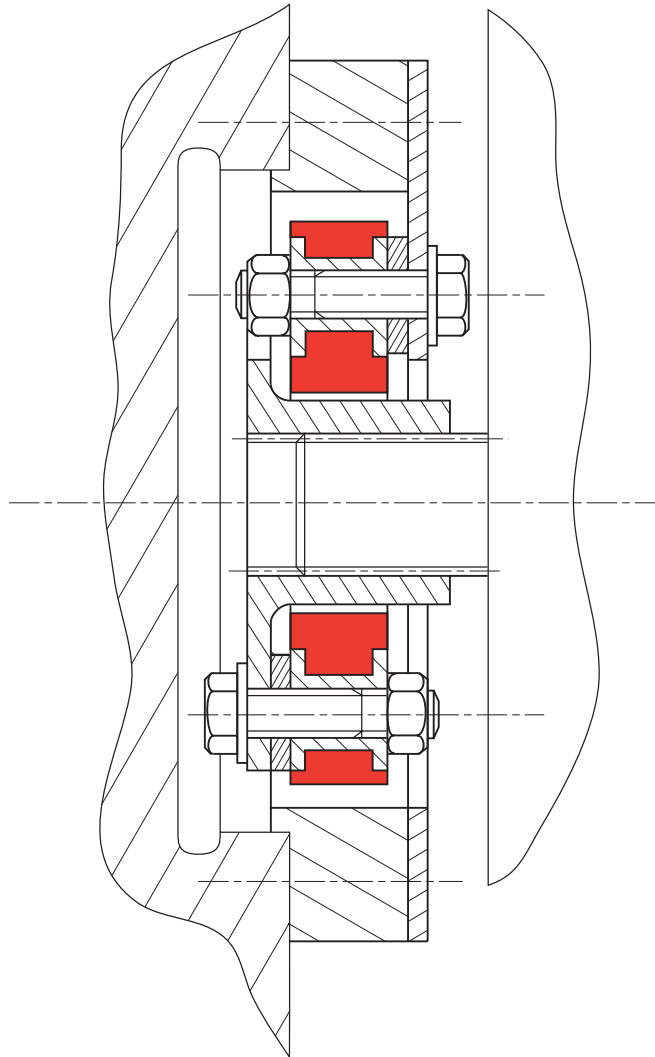


ASSEMBLY

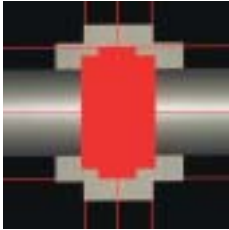
Method:

- Mount the flanges on the shafts of the machines to be coupled.
- Position the flexible element to attach three non-adjacent bobbins to one flange with bolts, then attach the three other bobbins to the second flange.

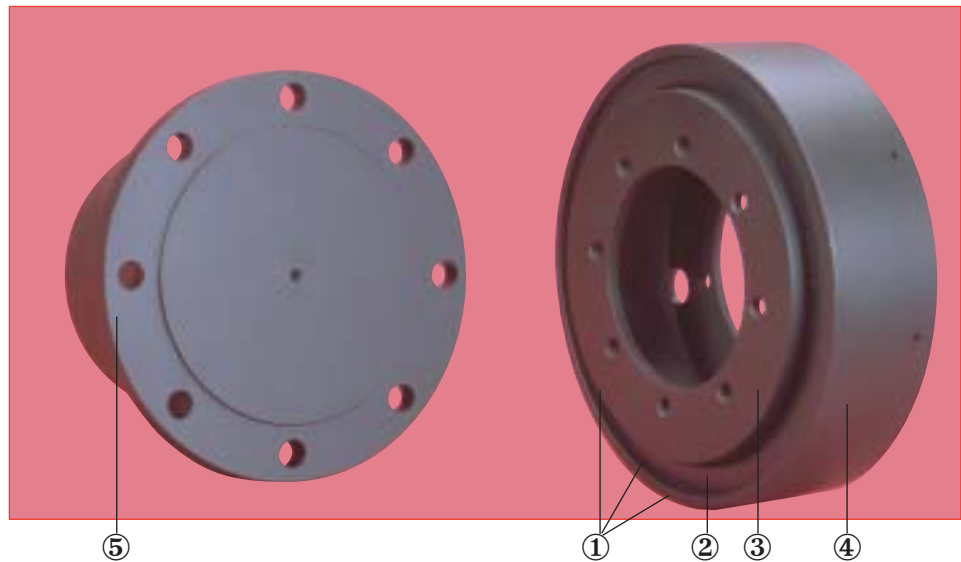
NOTE : For the 635100 coupling, the bolts are replaced by welded studs and so this must be assembled by pushing the flanges together.



**Example: electric motor/volumetric pump coupling:
mounted on channelled shaft and flywheel.**



TORSOFLEX



DESCRIPTION

- Flexible element ① composed of:
 - ② Natural rubber ring.
 - ③ Internal armature bonded to the rubber.
 - ④ External collar force fitted to the rubber.
- Flanges ⑤: die-cast steel fixed onto the internal armature ③ and collar ④.

OPERATION

The TORSOFLEX coupling is designed with the following features:

- The rubber ring is precompressed to provide high torsional flexibility.
- Smooth, compact, cylindrical shape without protrusion.
- Radial disassembly without moving the coupled machines (the flexible element should be compressed axially using clamps).

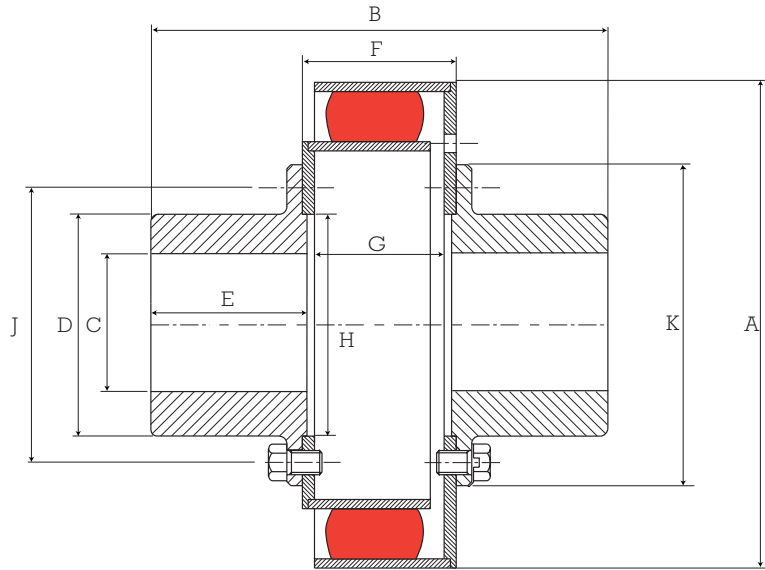
Advantages:

- Very high resistance to oscillation.
- High rotational speed.

Recommendation:

- As the TORSOFLEX coupling is usually used at high speed, the assembly must be well aligned.

DIMENSIONS



Nominal torque N.m	Max torque N.m	Max speed rpm	Hole size C mm		A mm	B mm	D mm	E mm	Reference	F mm	G mm	H mm	J mm	K mm	Number and Ø of fixing screws	Weight kg
			min	max												
1200	2400	4000		80	252	250	115	85	682080	86	80	115	145	168	16 - M12	25
2500	5000	3500		100	318	299	145	102	682100	100	94	145	180	210	12 - M16	50
5000	10000	3200	28	120	370	382	177	136	682120	116	110	178	213	247	16 - M16	90
10000	20000	3000	32	150	430	439	210	155	682140	135	129	178	260	290	16 - M20	145

1 N.m ≈ 0,1 mkg

See current price list for availability of items.

The maximum torque is considered to be an infrequent start-up torque and is not periodic.

OPERATING CHARACTERISTICS

Nominal torque N.m	Vibrat. coupling N.m	Torsion under NT degrees	STIFFNESS			
			AXIAL daN/mm	RADIAL daN/mm	TORSIONAL m.KN/rad.	CONICAL m.KN/rad.
1200	600	6	80	350	11.4	8.6
2500	1250	6	120	500	23.9	14.3
5000	2500	6	180	750	47.8	25.8
10000	5000	6	250	1100	95.5	45.9

1 N.m ≈ 0.1 mkg

1 daN ≈ 1 kg

PARTS LIST

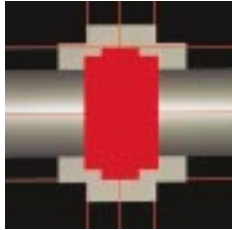
Coupling reference	Flexible element reference	Qty	Flange reference	Qty
682080	682580	1	321147	2
682100	682600	1	321154	2
682120	682620	1	321167	2
682140	682640	1	321191	2

ASSEMBLY

Method:

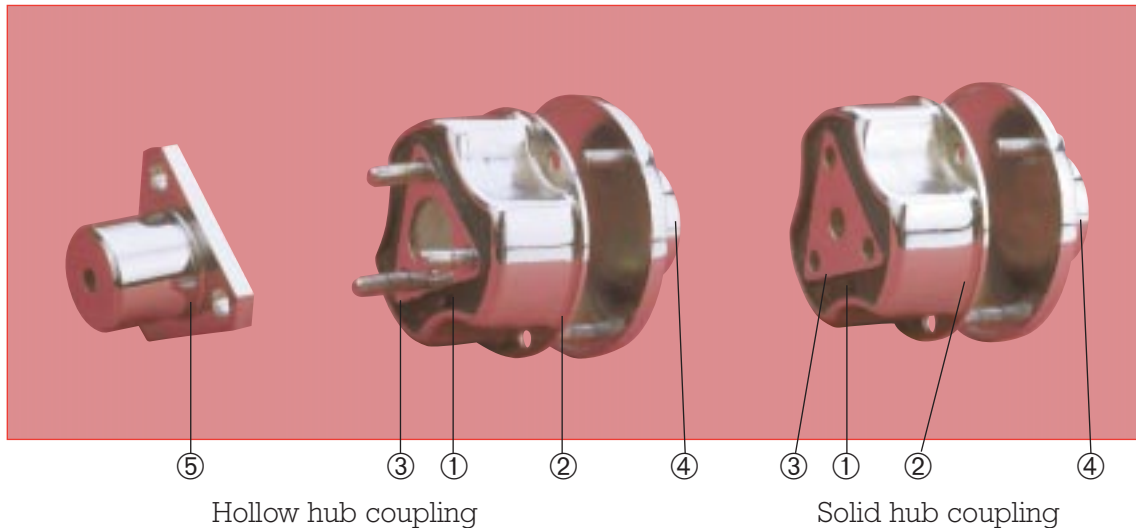
- Mount the flanges ⑤ on the ends of the shafts of the machines.
- Fix the flanges to the internal armature ③ and to the external collar ④.





CARDAFLEX

* *	Torsional flexibility	*	Radial flexibility	* *	Axial flexibility	* *	Conical flexibility
-----	-----------------------	---	--------------------	-----	-------------------	-----	---------------------



DESCRIPTION

There are two variations of the CARDAFLEX coupling: hollow hub and solid hub:

- Flexible element:
 - ① Formed of solid natural rubber.
 - ② External steel surround, bonded to the rubber.
 - ③ Triangular hub: a hollow hub bonded to the rubber and attached to the flange ⑤, or a solid hub which accommodates a grooved or keyed shaft.
- Steel flanges:
 - ④ round.
 - ⑤ triangular.

OPERATION

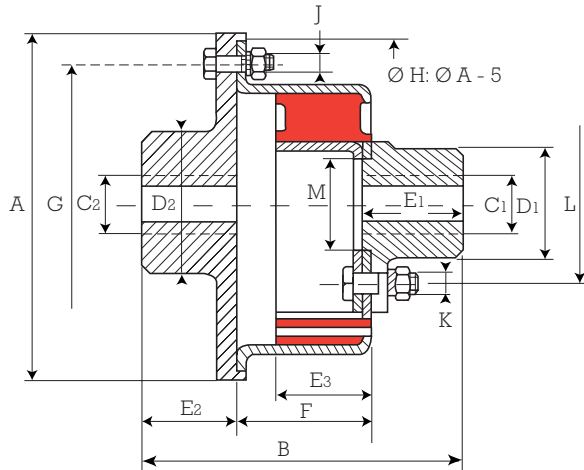
The CARDAFLEX coupling is designed with the following features:

- Safe in use.
- Fairly low conical stiffness.
- Compact shape
- Good performance at high speeds.

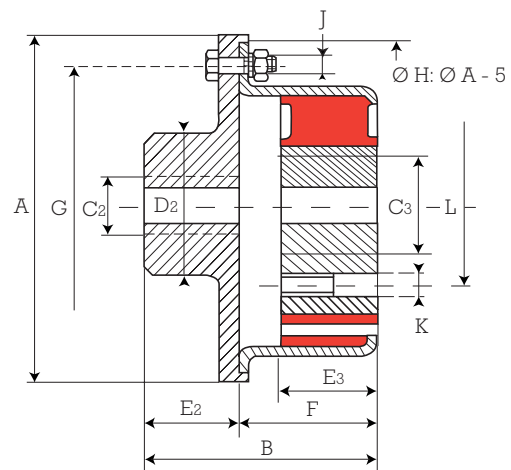
Advantages:

- Especially in the case of the CARDAFLEX solid hub coupling, the space occupied by the unit is much reduced.
- The outer surround of the flexible element can be centred directly on to the flywheel of one of the machines to be coupled.

DIMENSIONS



Hollow hub coupling



Solid hub coupling

HOLLOW HUB

Nominal torque N.m	Max torque N.m	Max speed rpm	Hole size C ₁ mm		Hole size C ₂ mm		A mm	B mm	D ₁ mm	D ₂ mm	E ₁ mm	E ₂ mm	Reference	E ₃ mm	F mm	G mm	J mm	K mm	L mm	M mm	Weight kg
			min	max	min	max															
50	100	6500	7	19	7	28	105	100	34	45	33	30	622310	28	40	86	6	8	52	30	1.6
80	160	6000	9	20	9	30	120	125	32	50	44	40	622311	35	45	100	6	8	52	30	2.3
120	240	5500	9	25	9	36	130	140	40	55	49	45	622312	35	50	108	8	10	64	36	2.8
160	320	5500	9	32	9	42	155	155	49	60	55	50	622315	43	55	130	10	12	76	42	4.5
520	1040	4500	11	42	11	56	205	203	67	80	71	65	622320	57	73	175	12	16	100	56	10.7
900	1800	4000	12	55	12	70	255	250	86	100	85	80	622325	72	90	225	12	20	127	70	22

1 N.m ≠ 0.1 mkg

See current price list for availability of items.

SOLID HUB

Nominal torque N.m	Max torque N.m	Max speed rpm	Hole size C ₂ mm		Hole size C ₃ mm		A mm	B mm	D ₂ mm	E ₂ mm	E ₃ mm	Reference	F mm	G mm	J mm	K mm	L mm	Weight kg
			min	max	min	max												
30	60	7000	7	24	10	21	85	60	40	28	26	622401	32	68	6	7	42	0.4
50	100	6500	7	28	16	28	105	70	45	30	28	622402	40	86	6	8	52	0.7
80	160	6000	9	30	17	28	120	85	50	40	35	622403	45	100	6	8	52	1
120	240	5500	9	36	18	36	130	95	55	45	35	622404	50	108	8	10	64	1.2
160	320	5500	9	42	22	42	155	105	60	50	43	622405	55	130	10	12	76	2.3
520	1040	4500	11	56	30	56	205	138	80	65	57	622406	73	175	12	16	100	5
900	1800	4000	12	70	40	72	255	170	100	80	72	622407	90	225	12	20	127	9.5

1 N.m ≠ 0.1 mkg

See current price list for availability of items.

The maximum torque is considered to be an infrequent start-up torque and is not periodic.

PARTS LIST

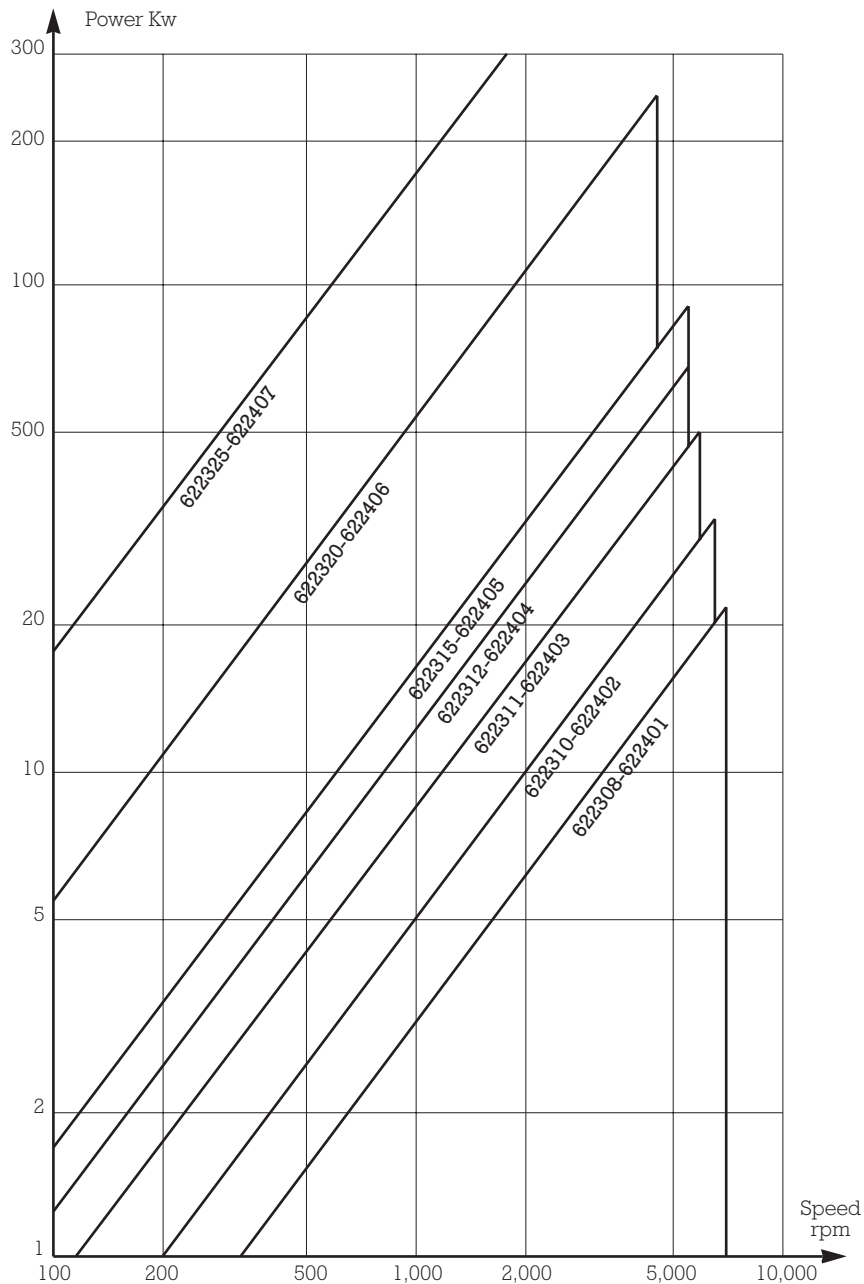
Coupling reference	Flexible element reference	Qty	Round flange reference	Qty	Triangular flange reference	Qty
622310	622210	1	321631	1	321636	1
622311	622211	1	321641	1	321646	1
622312	622212	1	321651	1	321656	1
622315	622215	1	321661	1	321666	1
622320	622220	1	321671	1	321676	1
622325	622225	1	321681	1	321686	1

Coupling reference	Flexible element reference	Qty	Round flange reference	Qty
622401	622108	1	321621	1
622402	622110	1	321631	1
622403	622111	1	321641	1
622404	622112	1	321651	1
622405	622115	1	321661	1
622406	622120	1	321671	1
622407	622125	1	321681	1



OPERATING LIMITS

POWER RANGE



OPERATING CHARACTERISTICS

Nominal torque N.m	Vibrat. coupling N.m	Torsion under NT degrees	STIFFNESS			
			AXIAL daN/mm	RADIAL daN/mm	TORSIONAL m.KN/rad.	CONICAL m.KN/rad.
30	15	6	30	100	0.286	0.114
50	25	7	16	65	0.400	0.114
80	40	5	30	90	0.860	0.23
120	60	8	25	80	0.860	0.23
160	80	5	32	90	1.72	0.46
520	260	7	40	150	4	1.14

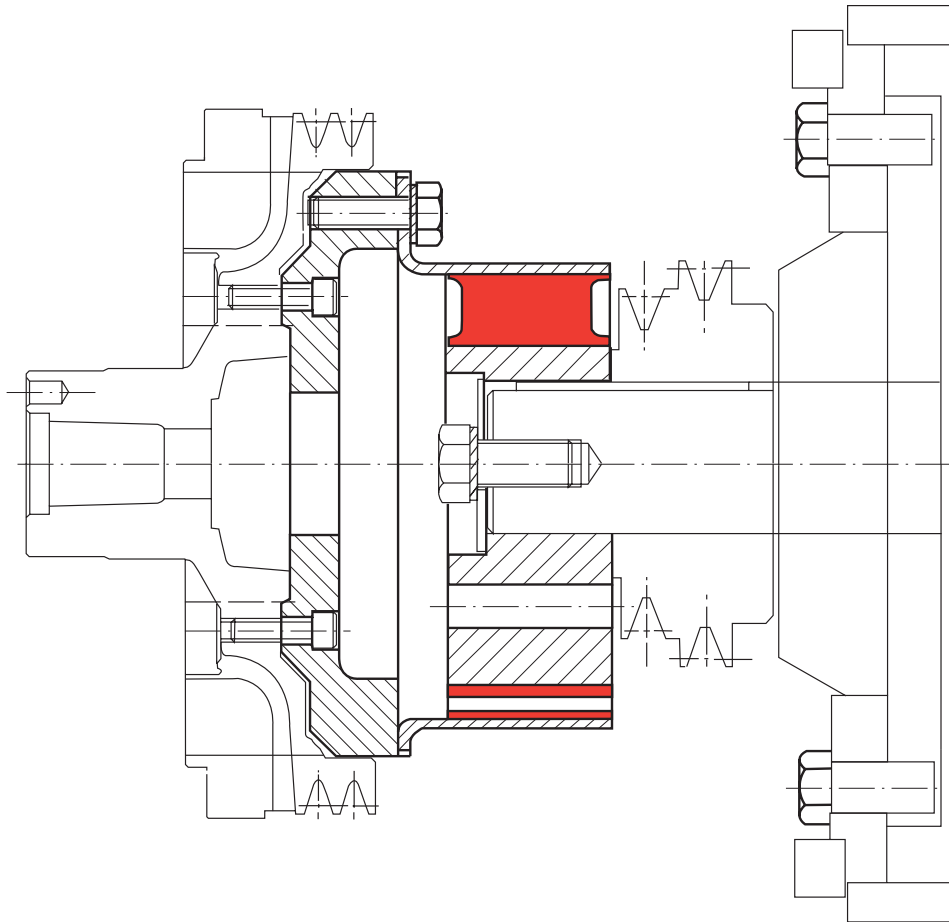
1 Nm \neq 0.1 mkg



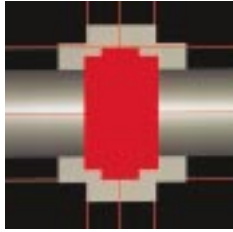
ASSEMBLY

Method:

- Mount the round flange onto the shaft of one machine.
- Mount:
 - The triangular flange onto the other shaft (hollow hub coupling).
 - The flexible element onto the other shaft (solid hub coupling).
- Attach the flexible element to the round flange.

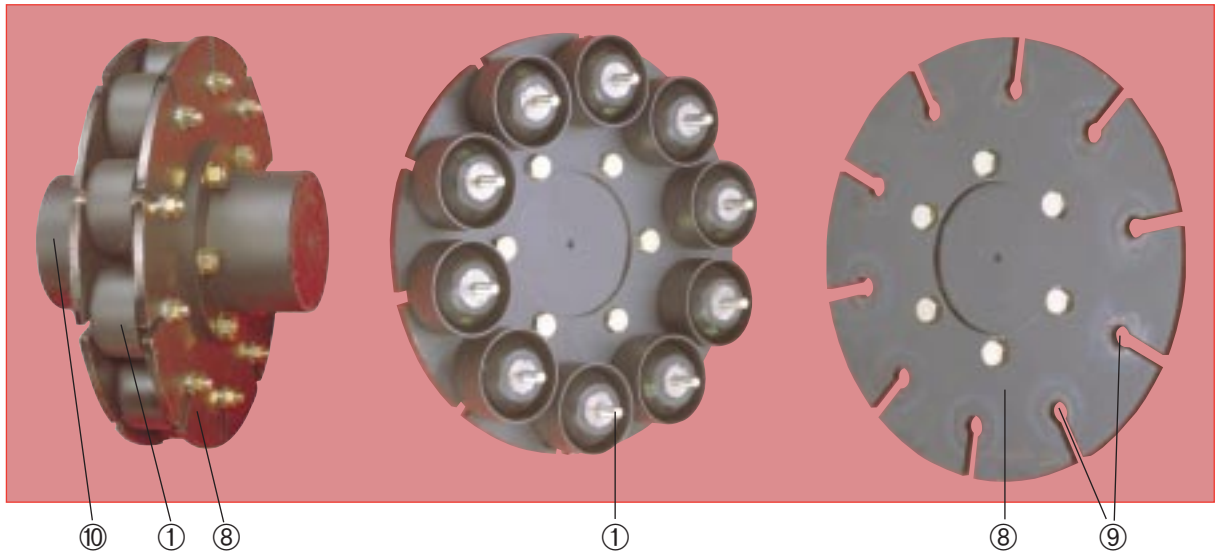


**Example: internal combustion engine/hydraulic pump coupling:
mounted on keyed shaft and on pulley.**

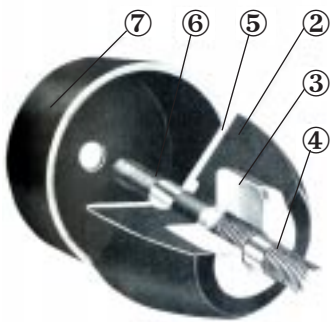


RADIAFLEX RTP

*	Torsional flexibility	*	Radial flexibility	See Data Sheet	Axial flexibility	□	Conical flexibility
---	-----------------------	---	--------------------	----------------	-------------------	---	---------------------



DESCRIPTION



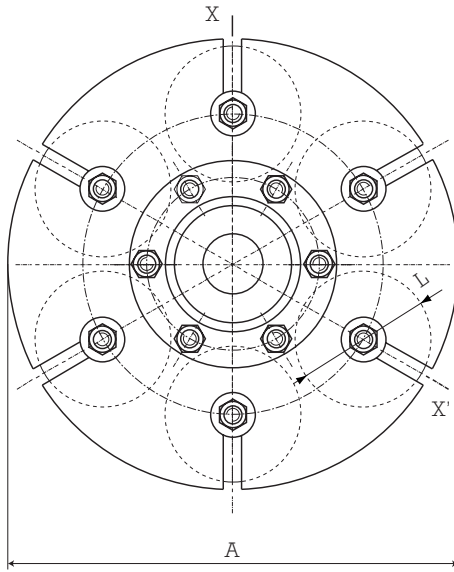
- Flexible element made up of a variable number of FLEXIBLE STUDS ① depending on the torque to be transmitted:
 - ② Solid natural rubber blocks in the form of a truncated cone.
 - ③ Internal armature bonded to the rubber.
 - ④ Threaded stud.
 - ⑤ External armature bonded to the rubber.
 - ⑥ Studding welded to armature.
 - ⑦ Cylindrical metal cover.
- Steel disks:
 - ⑧ Two identical disks, bolted to the flanges ⑩ and with slits ⑨ to house the studs ①.
- Flanges: ⑩ die-cast steel.

OPERATION

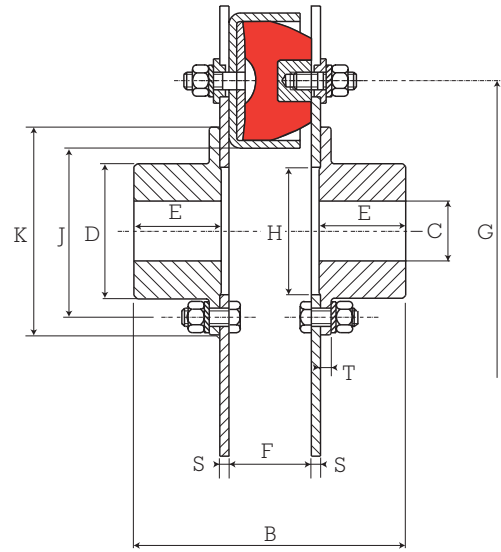
- The RADIAFLEX RTP coupling is designed with the following features:
- The studs can be removed radially without moving the coupled machines.
 - At low and average torque: the rubber operates under compression.
 - At high torque: there is progressive thrust of the rubber against the metal cover ③.
 - Safe in use.
 - It can absorb the effects of tension or compression axially (for example: push and pull of a helical screw).

DIMENSIONS

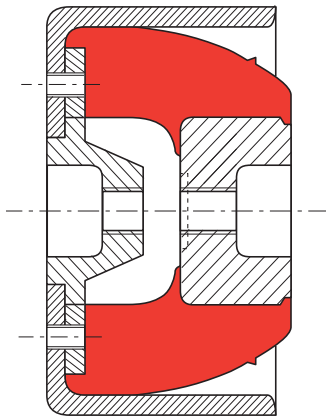
View from F



XX' Section



Alternative mount:



Ref. 526401Δ60

The alternative mount 526401Δ60 is softened. Its radial stiffness is equal to $\frac{2}{3}$ of the standard mounting ref. 522131Δ60.

Warning: A coupling equipped with the alternative mounts 526401 can only transmit 80% of the torque of the standard version.

Nominal torque N.m	Max torque N.m	Max speed rpm	Hole size C mm		A mm	B mm	D mm	E mm	Type	Reference	F mm	G mm	H mm	J mm	K mm	L mm	S mm	T mm	Wght kg
			min	max															
470	1000	3000	18	60	270	181	86	60	RTP 2.3	612203	55	180	85	115	138	90	6	7	13
630	1250	3000	18	60	270	181	86	60	RTP 2.4	612204	55	180	85	115	138	90	6	7	15
1100	2200	3000	18	60	300	185	86	60	RTP 2.6	612206	55	200	85	115	138	90	8	7	28
1800	3600	2500	23	80	364	235	115	85	RTP 2.8	612208	55	264	115	145	168	90	8	9.5	45
2500	5000	1500	28	100	420	299	145	102	RTP 4.6	612406	80	280	145	180	210	130	10	12.5	77
2800	5600	2500	28	100	424	274	145	102	RTP 2.10	612210	55	324	145	180	210	90	10	12.5	72
4100	8200	2000	28	120	475	345	177	136	RTP 2.12	612212	55	380	178	213	247	90	12	16	103
4500	9000	1500	28	120	510	370	177	136	RTP 4.8	612408	80	370	178	213	247	130	12	16	127
6900	13500	1500	28	120	600	382	177	136	RTP 4.10	612410	80	460	178	213	247	130	18	16	178
9700	20000		32	150	680	424	210	155	RTP 4.12	612412	80	540	178	260	290	130	20	18	253
17500	35000		32	150	860	424	210	155	RTP 4.16	612416	80	720	178	260	290	130	20	18	330
17500	35000		32	155	826	687	220	250	RTP 6.6	612606	147	580	200			246	30		590
34000	68000		32	220	1096	827	320	320	RTP 6.8	612608	147	850	320			246	30		1140
60000	120000		32	200	1246	827	275	320	RTP 6.12	612612	147	1000	250			246	30		1200
72000	140000		32	360	1446	827	540	320	RTP 6.12	612613	147	1200	500			246	30		2200
104000	200000		35	360	1546	887	540	350	RTP 6.16	612616	147	1300	500			246	30		2500

1 Nm ≠ 0.1 mkg

See current price list for availability of items.

The maximum torque is considered to be an infrequent start-up torque and is not periodic.



OPERATING CHARACTERISTICS

Nominal torque N.m	Vibrat. coupling N.m	Torsion under NT degrees	STIFFNESS				
			Axiale compr. daN/mm	Axial compres. daN/mm	Axial tension daN/mm	Radial daN/mm	Torsional m. KN/radian
470	235	3° 10'	375	300	105	8.6	10.3
630	315	3° 10'	500	400	140	11.4	20.6
1100	550	2° 50'	750	600	210	21.2	86
1800	900	2° 10'	1000	800	280	49.3	114
2500	1250	2° 15'	1500	1200	330	65.5	86
2800	1400	1° 50'	1250	1000	350	92.6	229
4100	2050	1° 30'	1500	1200	420	160	573
4500	2250	1° 40'	2000	1600	440	152	460
6900	3450	1° 25'	2500	2000	550	292	1030
9700	4850	1° 10'	3000	2400	660	482	
17500	8750	0° 50'	4000	3200	880	1140	
17500	8750	2° 10'	3000	1800	550	458	
34000	17000	1° 30'	4000	2400	730	1320	
60000	30000	1° 15'	6000	3600	1100	2700	
72000	36000	1°	6000	3600	1100	3900	
104000	52000	0° 50'	8000	4800	1460	6100	

1 Nm ≠ 0.1 mkg

PARTS LIST

Flexible studs, disk and flanges:

Coupling reference	Flexible stud reference	Qty	Flange reference	Qty	Disk reference	Qty
612203	522090 Δ 60	3	321138	2	351103	2
612204	522090 Δ 60	4	321136	2	351110	2
612206	522090 Δ 60	6	321138	2	351122	2
612208	522090 Δ 60	8	321147	2	351133	2
612210	522090 Δ 60	10	321154	2	351142	2
612212	522090 Δ 60	12	321167	2	351152	2
612406	522131 Δ 60	6	321154	2	351125	2
612408	522131 Δ 60	8	321167	2	351134	2
612410	522131 Δ 60	10	321167	2	351143	2
612412	522131 Δ 60	12	321191	2	351157	2
612416	522131 Δ 60	16	321191	2	351170	2
612606	522240 Δ 45 and 60	6	321189	2	351124	2
612608	522240 Δ 45 and 60	8	321193	2	351135	2
612612	522240 Δ 45 and 60	12	321182	2	351155	2
612613	522240 Δ 45 and 60	12	321195	2	351156	2
612616	522240 Δ 45 and 60	16	321197	2	351169	2

Fixing for flanges and discs. Locating sleeves:

Coupling part number	Flange fixing reference	Qty	Locating sleeve reference	Qty	Elastic element reference	Qty
612203	337216	1	337211	1	337217	1
612204	337206	1	337207	1	337208	1
612206	337209	1	337210	3	337211	2
612208	337206	2	337210	4	337208	2
612210	337565	1	337227	1	337208 - 337228	2 - 1
612212	337229	1	337230	1	337208	3
612406	337675	1	337226	1	337215	1
612408	337229	1	337231	1	337232	2
612410	337233	1	337234	1	337215 - 337232	1 - 1
612412	337676	1	337237	3	337232	3
612416	337676	1	337237	4	337232	4
612606			351282	12		
612608			351282	16		
612612	Please consult our Technical Service		351282	24	Please consult our Technical Service	
612613			351282	24		
612616			351282	32		

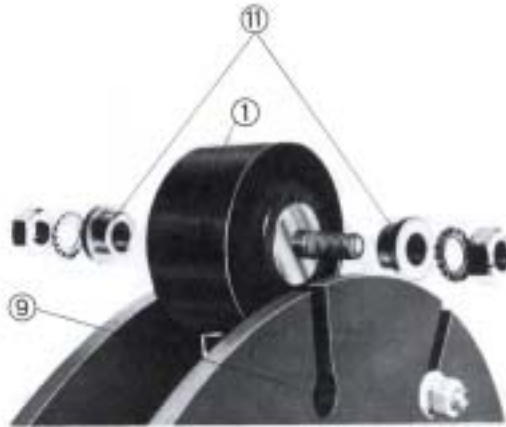
References written in bold are kept in stock.



ASSEMBLY

Method:

- Mount each of the flanges onto the ends of the corresponding shafts.
- Use the specially machined recess to centre the disks onto the flanges and screw together.
- Attach the external armature of the studs to the appropriate disk.
- Attach the internal armature of the studs to the other disk.

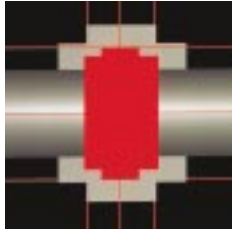


Note:

The slits ⑨ are designed to take the loose locating sleeves ⑩ to enable the individual flexible studs ① to be mounted and removed radially.

Torque to be applied to the stud fixing bolts:

- Stud RTP2: 522090 Ø 12 → 7.5 N.m.
- Stud RTP4: 522131 Ø 16 → 18.5 N.m.
- Stud RTP6: 522240 Ø 24 → 64.0 N.m.



CORDIFLEX



Torsional flexibility



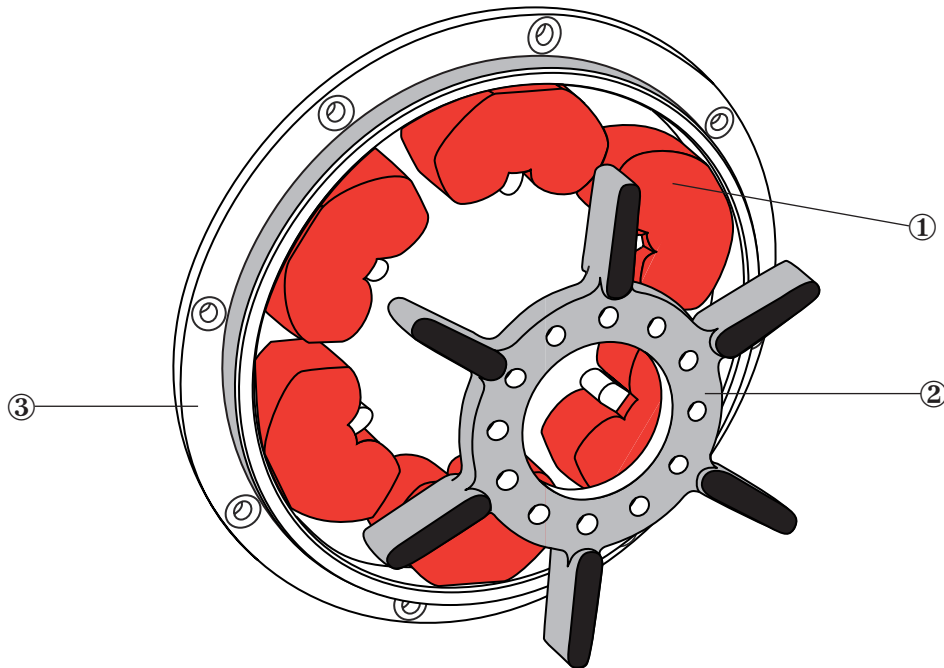
Radial flexibility



Push fit Axial flexibility



Conical flexibility



DESCRIPTION

- Flexible element:
 - ① 6 fairly hard natural rubber shaped support blocks, on the inside edge of the outer ring of the coupling.
- Flange:
 - ② inside flange has 6 arms which fit axially between the blocks by "blind axial" assembly.
- Outer ring:
 - ③ Ring with teeth that hold the blocks.

Standard SAE fixing and centring.

OPERATION

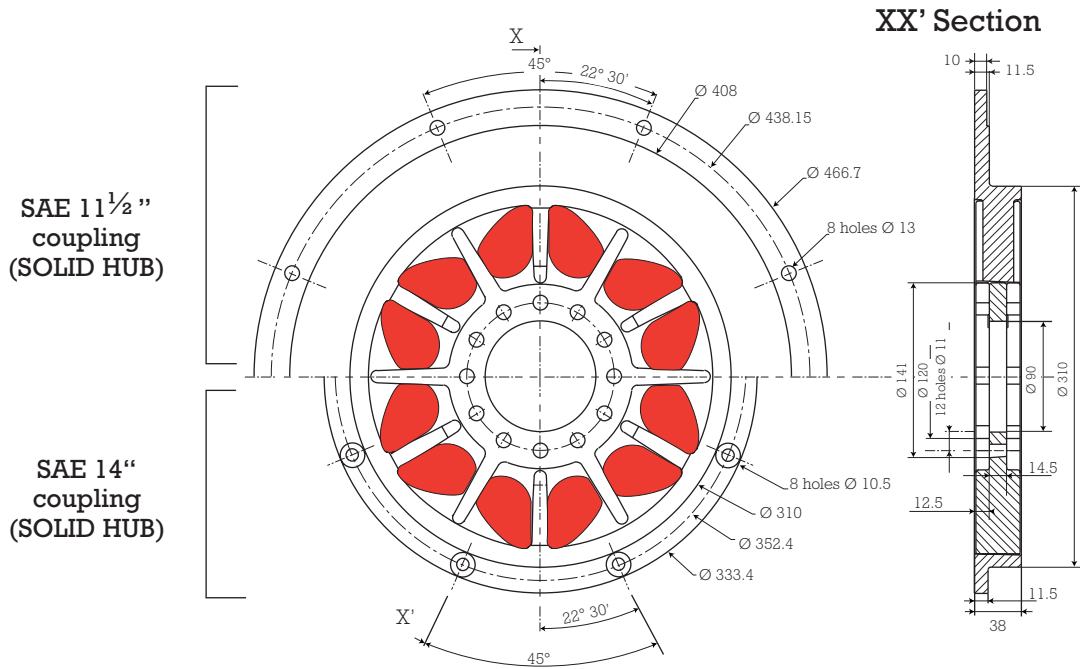
The CORDIFLEX coupling is designed to have the following features:

- Simplicity of design and assembly of the flexible elements making it easy to vary the torsional stiffness simply by replacing the blocks.

Advantages:

- SAE centring.
- The coupling is very slim.

DIMENSIONS

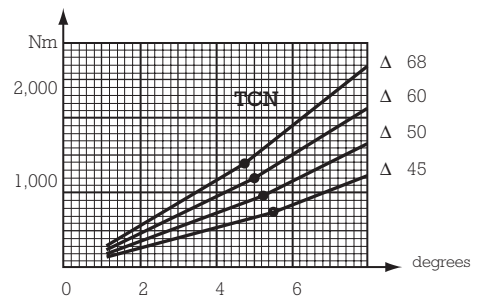


Nominal torque N.m	Max torque N.m	Max speed rpm	Max hole mm	Reference			
				14"	Wght kg	11" ½	Wght kg
600	1200	3000	75	639012 40	23	639063 40	18
800	1600	3000	75	639012 41	23	639063 41	18
1000	2000	3000	75	639012 42	23	639063 42	18
1200	2400	3000	75	639012 43	23	639063 43	18

The maximum torque is considered to be an infrequent start-up torque and is not periodic.

OPERATING CHARACTERISTICS

Nominal torque N.m	Vibratory coupling N.m	STIFFNESS		
		AXIAL	RADIAL daN/mm	TORSIONAL N.m/rad.
600	300	PUSH FIT	30	675
800	400		45	800
1000	500		60	1150
1200	600		75	1430



1 Nm \neq 0.1 mkg - Tangente $\delta = 0.1$

NOTE: The technical data is identical for 14" and 11 ½" couplings for the same nominal torque.

PARTS LIST

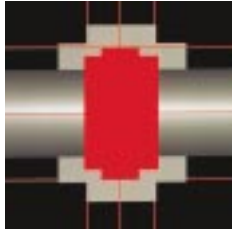
14" Coupling

Coupling reference	Flexible element reference	Qty	Flange reference	Qty	Disk reference	Qty
639012 40	819823 40	6	321400	1	322200	1
639012 41	819823 41	6	321400	1	322200	1
639012 42	819823 42	6	321400	1	322200	1
639012 43	819823 43	6	321400	1	322200	1

11" ½ Coupling

Coupling reference	Flexible element reference	Qty	Flange reference	Qty	Disk reference	Qty
639063 40	819823 40	6	321400	1	322201	1
639063 41	819823 41	6	321400	1	322201	1
639063 42	819823 42	6	321400	1	322201	1
639063 43	819823 43	6	321400	1	322201	1





TETRAFLEX

Torque from 160 to 250 N.m.



Torsional flexibility



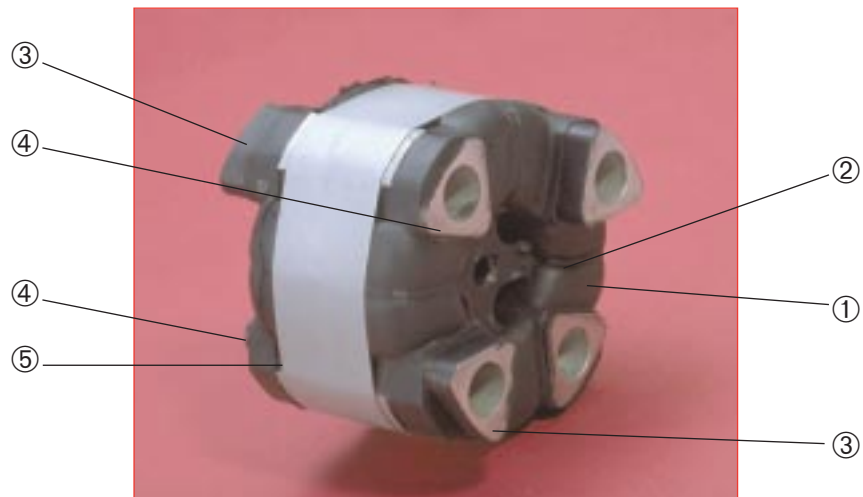
Radial flexibility



Axial flexibility



Conical flexibility



DESCRIPTION

- Flexible element comprising:
 - ① Natural rubber in the form of a cross.
 - ② A floating aluminium star, whose arms are bonded to the rubber.
 - Mountings:
 - ③ 2 aluminium bosses, bonded to the rubber, which will be attached to one of the machines.
 - ④ 2 aluminium bosses, bonded to the rubber, which will be attached to the other machine.
 - ⑤ Band for precompressing the rubber before assembly.
- 2 retaining bars are supplied although not shown in the photo.

OPERATION

The TETRAFLEX coupling is designed with the following features:

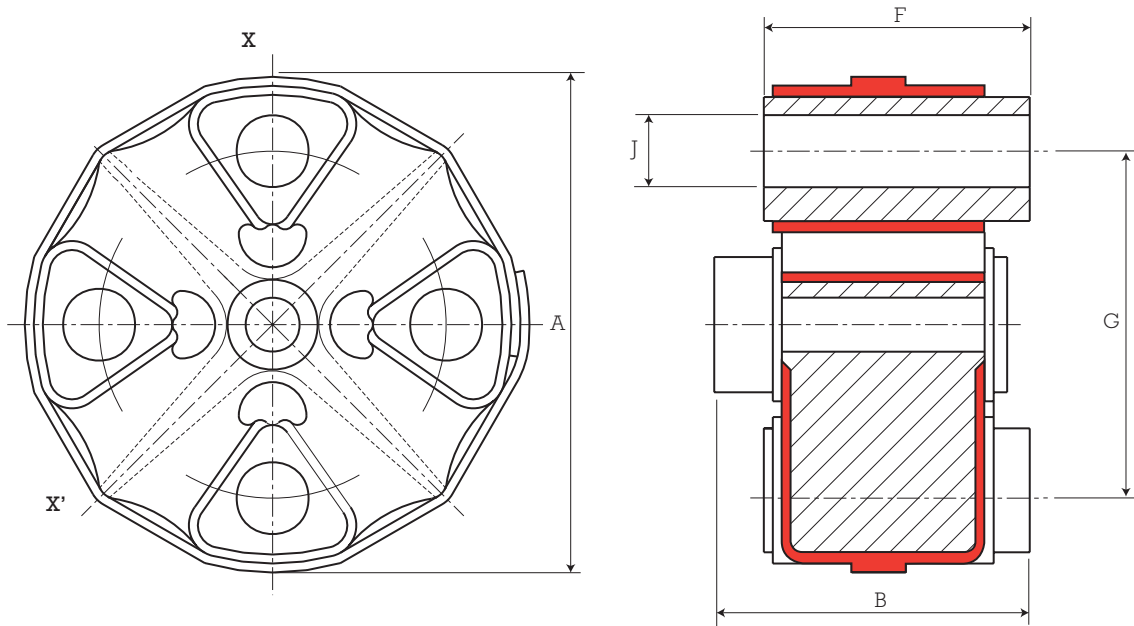
- Binary symmetry which allows considerable conical misalignment to the order of 8°.
- Precompression of the rubber when assembled which limits operation under tension.

Advantages:

The floating star allows:

- Increased torque capacity without reducing the axial flexibility, hence reduced size for a given torque.
- Rotation at higher speeds as the star ensures that the arms are anchored centrifugally.
- The possibility of using a floating shaft (at moderate speed) as the increased radial rigidity provides self-centering for the coupling.

DIMENSIONS



Nominal torque N.m	Max torque N.m	Max speed rpm	A mm	B mm	Reference	G mm	J mm	F mm
160	400	6000 (1)	110	70	630400	77	16	59
250	600	6000 (1)	110	90	630408	77	16	79

(1) for supported driving and driven shafts (1500 rpm with floating shaft).

The maximum torque is considered to be an infrequent start-up torque and is not periodic.

OPERATING CHARACTERISTICS

Nominal torque N.m	Vibrat. coupling N.m	Torsion under NT degrees	STIFFNESS			
			AXIAL daN/mm	RADIAL daN/mm	TORSIONAL m.KN/rad.	CONICAL m.KN/rad.
160	80	8	10	40	1.14	0.143
250	125	8	20	80	1.72	0.344

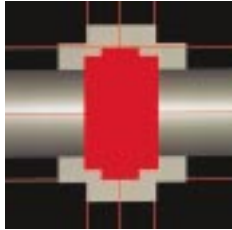
ASSEMBLY

Method:

- Attach the coupling to the flanges (not supplied), eg using bolts.
- Install the centrifugal retaining bars supplied with the coupling.
- Cut the band.

Compression is ensured by the mountings.

- Replace the band before disassembling.
- Mounting on floating shaft: the maximum conical misalignment allowed at 1500 rpm is:
10° for ref. 630400,
6° for ref. 630408.



TETRAFLEX

Torque from 1 000 to 8 000 N.m.



Torsional flexibility



Radial flexibility



Axial flexibility



Conical flexibility



DESCRIPTION

- Flexible element comprising:
 - ① Natural rubber in the form of a cross.
 - ② A floating aluminium or steel star, whose arms are bonded to the rubber.
- Mountings:
 - 2 aluminium bosses, bonded to the rubber which will be attached to one of the machines.
 - 2 bosses bonded to the rubber which will be attached to the other machine.

OPERATION

The TETRAFLEX coupling is designed with the following features:

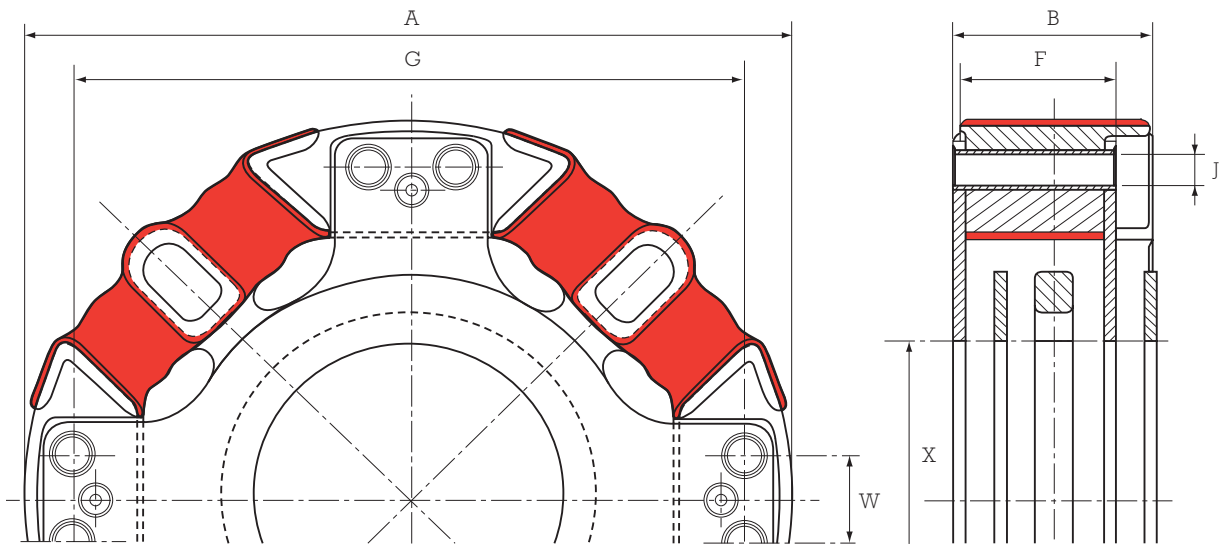
- Binary symmetry which allows considerable conical misalignment.
- The rubber is precompressed from manufacture which limits operation under tension.

Advantages:

The floating star allows:

- Increased torque capacity without reducing the axial flexibility, hence reduced size for a given torque.
- Rotation at higher speeds as the star ensures that the arms are anchored centrifugally.
- A good torque/speed ratio.

DIMENSIONS



Nominal torque N.m	Max Torque N.m	Max speed rpm	A mm	B mm	Reference	G mm	J mm	F mm	W mm	X mm
2000	3000	3500	350	90	630802	253	14.2	90	58	-
2500	3700	3000	400	85	630419	352	16	62	55	190
4000	6000	3000	408	108	630470	358	17	86	48	170
6000	9000	3000	420	130	630420	350	18	88	50	185

1 Nm \neq 0.1 mkg.

The maximum torque is considered to be a dynamic infrequent torque and of short duration.

OPERATING CHARACTERISTICS

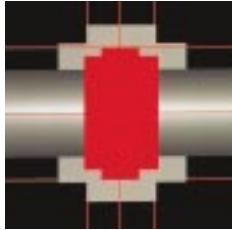
Nominal torque N.m	Vibratory coupling N.m	Torsion under NT degrees	STIFFNESS		
			AXIAL daN/mm	RADIAL daN/mm	TORSIONAL m.KN/rad.
2000	1000	7	10	44	17
2500	1250	8	13	40	18
4000	2000	8	21	72	29
6000	3000	9	26	86	38

1 Nm \neq 0.1 mkg

ASSEMBLY

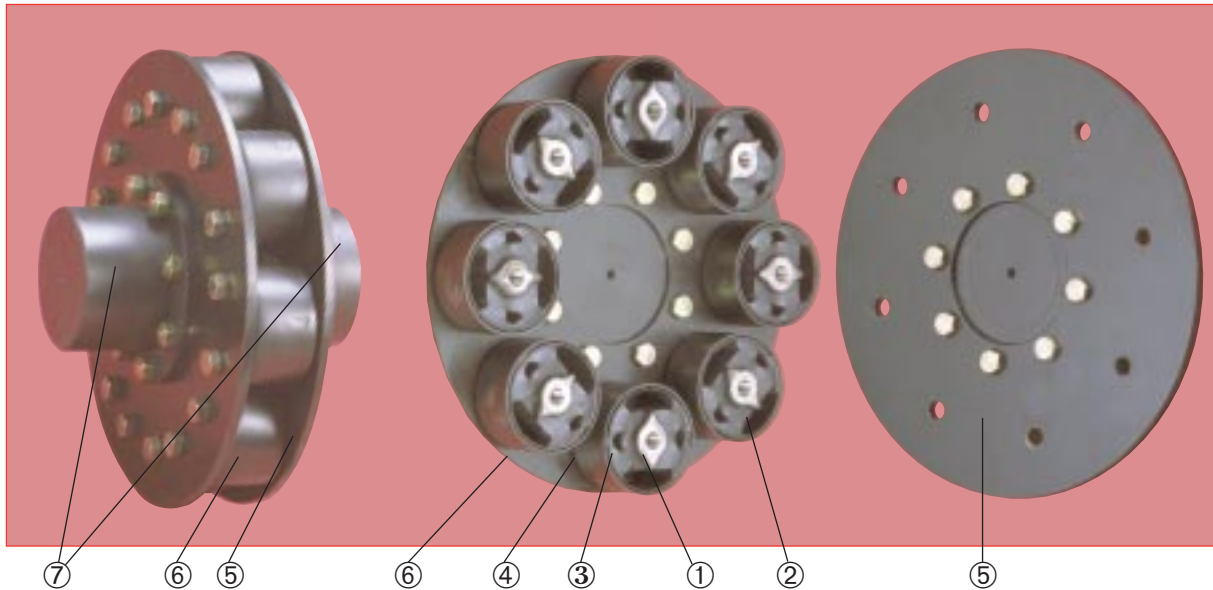
Can be mounted on units that are badly misaligned.
These couplings must not be mounted on floating shafts.





AXOFLEX

*	Torsional flexibility	*	Radial flexibility	* *	Axial flexibility	*	Conical flexibility
---	-----------------------	---	--------------------	-----	-------------------	---	---------------------



DESCRIPTION

- **Flexible element** comprising a variable number of flexible bushes, depending on the torque to be transmitted.
 - ① Inner with tapped or smooth holes (normal mounting or on flywheel).
 - ② Precompressed natural rubber bonded to inner 1 and to outer the half-cylinders ③.
 - ③ Half-cylinders bonded to the rubber.
 - ④ Outer housing ensuring precompression of rubber by exerting pressure on the half-cylinders ③.
- **Steel disks:**
 - ⑤ Flange to which the inner studs are attached (normal mounting).
 - ⑥ Disk to which the studs are attached (flywheel mounting).
- **Die cast steel hubs:**
 - ⑦ The two hubs are identical. They may be bolted to disks ⑤ or ⑥ depending on the mounting used.

OPERATION

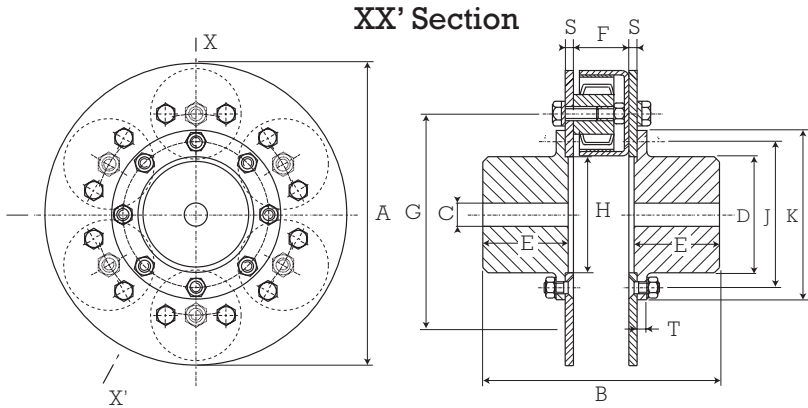
The AXOFLEX coupling is designed with the following features:

- Radial disassembly without moving the machines that are coupled (usually very large machines).
- Precompression of the rubber which limits operation under tension.

Advantages:

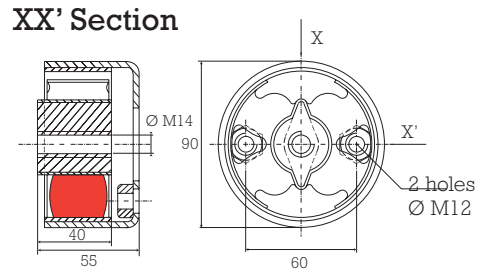
- Good axial flexibility which allows great axial displacement, for example in the case of conical rotor machines.

DIMENSIONS AXO2

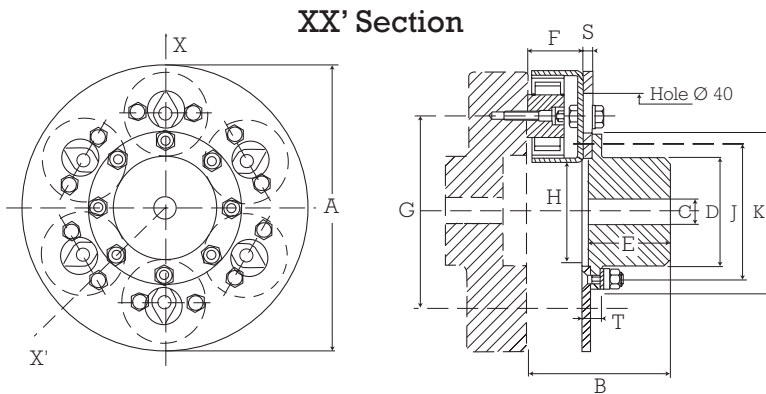


AXO 2

AXO 2 Coupling

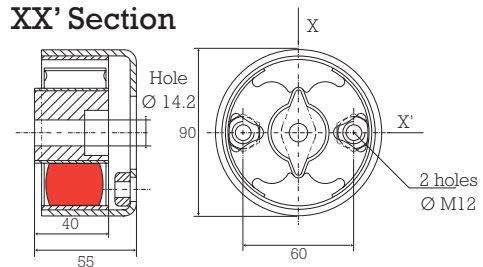


AXO 2 stud N° 525210 Weight: 0.9 kg



AXO 2V

AXO 2V Flywheel coupling



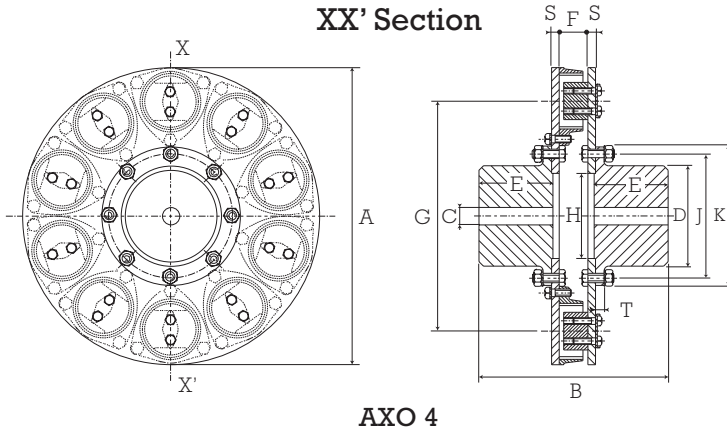
AXO 2V stud N° 525211 Weight: 0.9 kg

Nominal torque N.m	Max torque N.m	Max speed rpm	Hole size C mm		A mm	B mm type		D mm	E mm	Ref. Standard coupling	Ref. Flywheel coupling	F mm	G mm	H mm	J mm	K mm	S mm	T mm	Weight stand. coupling
			min	max		stan.	flyw.												
600	1200	3000	18	60	270	181	138	86	60	615203	615253	55	180	85	115	138	6	7	14
800	1600	3000	18	60	270	181	138	86	60	615204	615254	55	180	85	115	138	6	7	15
1300	2600	3000	23	80	300	235	145	115	85	615206	615256	55	200	115	145	168	8	9.5	28
2300	4600	2500	23	80	364	235	145	115	85	615208	615258	55	268	115	145	168	8	9.5	45
3600	7200	2500	28	100	424	274	164	145	102	615210	615260	55	324	145	180	210	10	12.5	72
5000	10000	2000	28	120	475	345	200	177	136	615212	615262	55	380	178	213	247	12	16	103

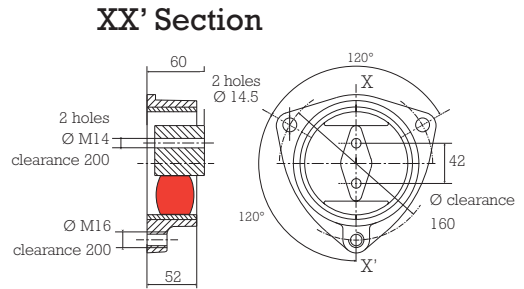
-See current price list for availability of items.



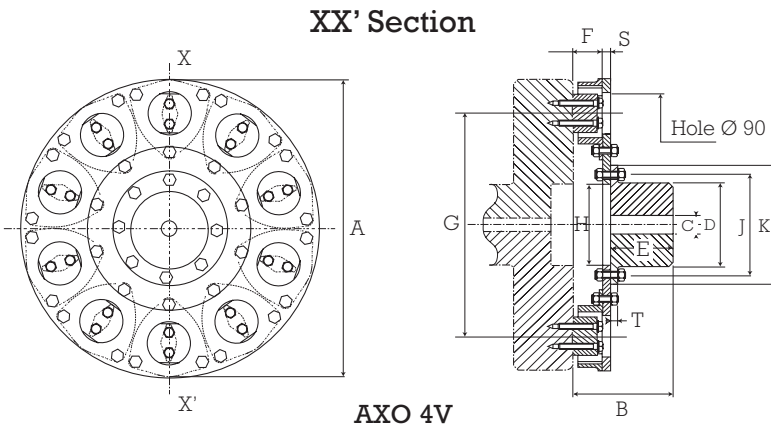
DIMENSIONS AXO4



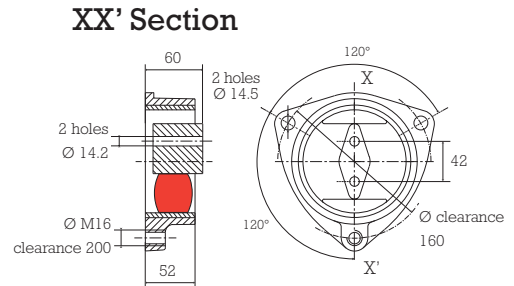
AXO 4 Coupling



AXO 4 stud N° 525400 Weight: 2.7 kg



AXO 4V Flywheel coupling



AXO 4V stud N° 525403 Weight: 2.7 kg

Nominal torque N.m	Max torque N.m	Max speed rpm	Hole size C mm		A mm	B mm		D mm	E mm	Ref. Standard coupling	Ref. Flywheel coupling	F mm	G mm	H mm	J mm	K mm	S mm	T mm	Weight stand. coupling
			mini	maxi		st.	fly.												
5000	10000	1800	28	100	480	279	170	145	102	615406	615456	60	340	145	180	210	10	12.5	80
7500	15000	1800	28	120	513	346	203	177	136	615408	615458	60	373	178	213	247	10	16	115
12000	24000	1500	28	120	622	358	209	177	136	615410	615460	60	482	178	213	247	16	16	178
12000	24000	1500	32	150	622	396	228	210	155	615440	615490	60	482	178	260	290	16	18	200
17500	35000	1500	32	150	720	396	228	210	155	615412	615462	60	580	178	260	290	16	18	240
17500	35000	1500	36	170	720	516	288	240	215	615442	615492	60	580	240	290	335	16	24	300
24000		1400	36	170	840	524	292	240	215	615414	615464	60	700	240	290	335	20	24	400
24000		1400	36	200	840	570	315	285	240	615444	615494	60	700	240	335	380	20	40	500
40000		1200	36	200	1040	590	325	285	240	615418	615468	60	900	240	335	380	30	40	700

1 N.m \neq 0.1 mkg

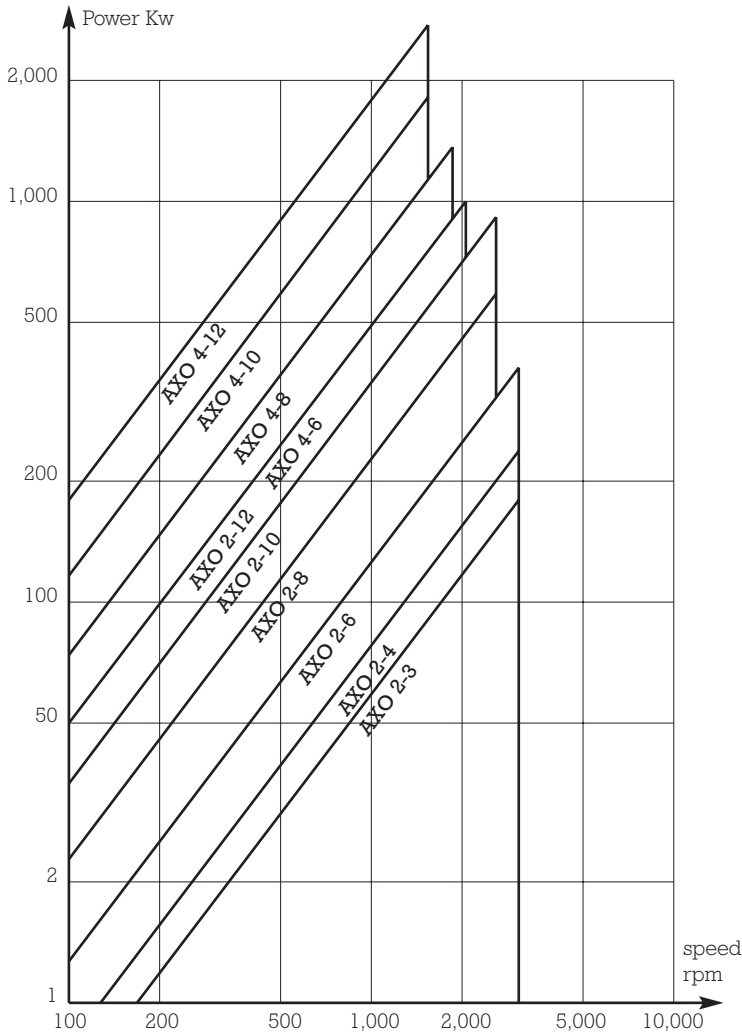
See current price list for availability of items.

The maximum torque is considered to be an infrequent start-up torque and is not periodic.

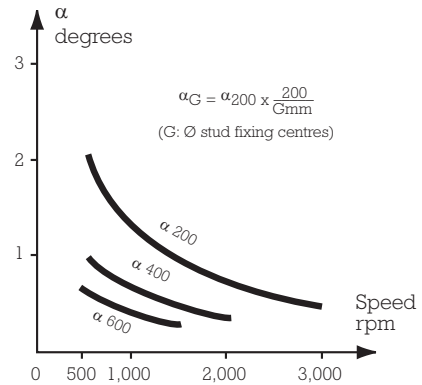


OPERATING LIMITS

POWER RANGE



CONICAL MISALIGNMENT



AXIAL DISPLACEMENT

Nominal torque N.m	Axial displacement at 1500 rpm
600	2 mm
800	2 mm
1300	2 mm
2300	2 mm
3600	2 mm
5000	3 mm
7500	3 mm
12000	3 mm
17500	3 mm

OPERATING CHARACTERISTICS AXO 2

Nominal torque N.m	Vibrat; coupling N.m	Torsion under NT degrees	STIFFNESS		
			AXIAL daN/mm	RADIAL daN/mm	TORSIONAL m.KN/rad.
600	300	3° 30'	22	75	10.9
800	400	3° 30'	30	100	14.3
1300	650	3°	45	150	25.8

Nominal torque N.m	Vibrat; coupling N.m	Torsion under NT degrees	STIFFNESS		
			AXIAL daN/mm	RADIAL daN/mm	TORSIONAL m.KN/rad.
2300	1150	2° 20'	60	210	53.3
3600	1800	2°	75	250	114.6
5000	2500	1° 50'	90	300	190

1 N.m ≈ 0.1 mkg

1 daN ≈ 1 kg

OPERATING CHARACTERISTICS AXO 4

Nominal torque N.m	Vibrat; coupling N.m	Torsion under NT degrees	STIFFNESS		
			AXIAL daN/mm	RADIAL daN/mm	TORSIONAL m.KN/rad.
5000	2500	1° 50'	1° 50'	360	157
8000	4000	1° 40'	1° 40'	480	252
12000	6000	1° 20'	1° 20'	600	528

Nominal torque N.m	Vibrat; coupling N.m	Torsion under NT degrees	STIFFNESS		
			AXIAL daN/mm	RADIAL daN/mm	TORSIONAL m.KN/rad.
17500	8750	1°	200	720	916
24000	12000	0° 50'	240	850	1550
40000	20000	0° 40'	300	1100	3300

1 N.m ≈ 0.1 mkg

1 daN ≈ 1 kg



PARTS LIST

Coupling reference	Flexible stud reference	Quantity	Flange reference	Quantity	Disk reference	Quantity
615203	525210	3	321138	2	351026 - 351027	1 - 1
615204	525210	4	321136	2	351028 - 351029	1 - 1
615206	525210	6	321147	2	351011 - 351012	1 - 1
615208	525210	8	321147	2	351013 - 351014	1 - 1
615210	525210	10	321154	2	351015 - 351016	1 - 1
615212	525210	12	321167	2	351017 - 351018	1 - 1
615253	525211	3	321138	1	351042	1
615254	525211	4	321136	1	351043	1
615256	525211	6	321147	1	351044	1
615258	525211	8	321147	1	351045	1
615260	525211	10	321154	1	351046	1
615262	525211	12	321167	1	351047	1

Coupling reference	Flexible stud reference	Quantity	Flange reference	Quantity	Disk reference	Quantity
615406	525400	6	321154	2	351665 - 351666	1 - 1
615408	525400	8	321167	2	351667 - 351668	1 - 1
615410	525400	10	321167	2	351663 - 351664	1 - 1
615412	525400	12	321191	2	351659 - 351660	1 - 1
615414	525400	14	324602	2	351655 - 351656	1 - 1
615418	525400	18	324601	2	351651 - 351652	1 - 1
615440	525400	10	321191	2	351661 - 351662	1 - 1
615442	525400	12	324602	2	351657 - 351658	1 - 1
615444	525400	14	324601	2	351653 - 351654	1 - 1
615456	525403	6	321154	1	351669	1
615458	525403	8	321167	1	351670	1
615460	525403	10	321167	1	351671	1
615462	525403	12	321191	1	351672	1
615464	525403	14	324602	1	351675	1
615468	525403	18	324601	1	351677	1
615490	525403	10	321191	1	351673	1
615492	525403	12	324602	1	351676	1
915494	525403	14	324601	1	351674	1

ASSEMBLY

Method: (normal)

- Attach each of the flanges to the ends of the appropriate shafts.
- Use the specially machined recess to centre the disks onto the flanges and screw together.
- Attach the external armature of the studs to the appropriate disk.
- Attach the internal armature of the studs to the other disk.

Torque for the bolts attaching the studs.

Ø 12 → 75 N.m

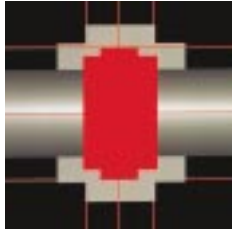
Ø 14 → 122 N.m

Ø 12 → 185 N.m

Method: (flywheel)

- Mount the flange onto the shaft end.
- Bolt the disk onto the flange.
- Attach the external armature of the studs to the disk.
- Attach the internal armature of the studs to the flywheel of the second machine.





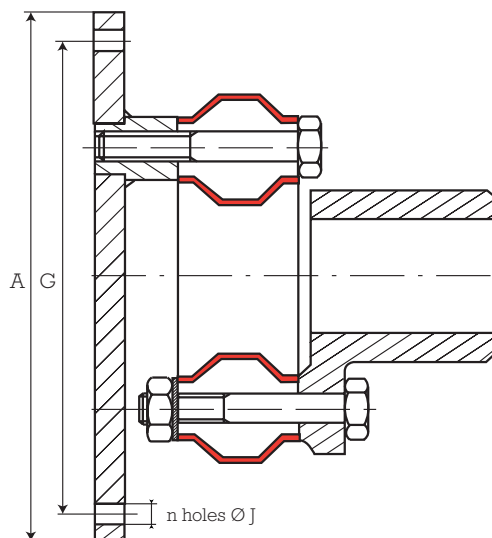
SAE FLANGES

MOUNTING ON SAE FLANGES

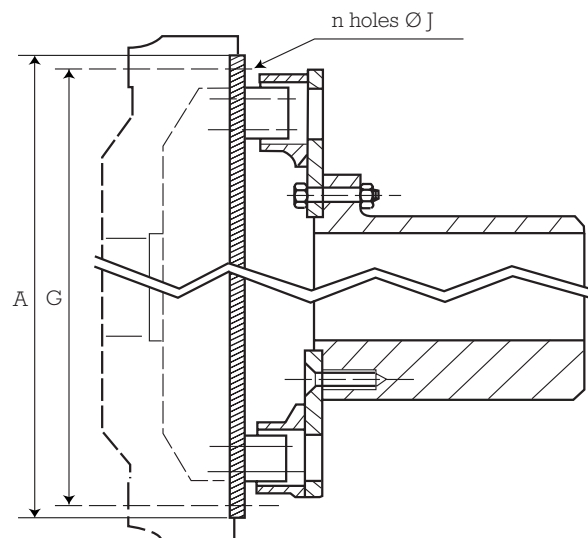
For couplings used with internal combustion engines (generating sets, motorised pumps) attachment flanges can be used to connect directly to the engines' flywheels. On request we can suggest couplings with flanges that conform to the SAE standard:

SAE	Ø A 17	Ø G	n x J
6½	215.90	200.00	6 x 8,5
7½	241.30	222.30	8 x 8,5
8	263.52	244.50	6 x 10,5
10	314.40	295.30	8 x 10,5
11½	352.40	333.40	8 x 10,5
14	466.70	438.15	8 x 13
16	517.52	489.00	8 x 13

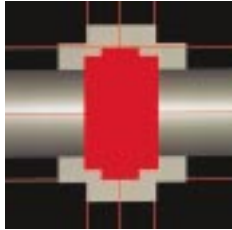
Examples of assemblies



JUBOFLEX

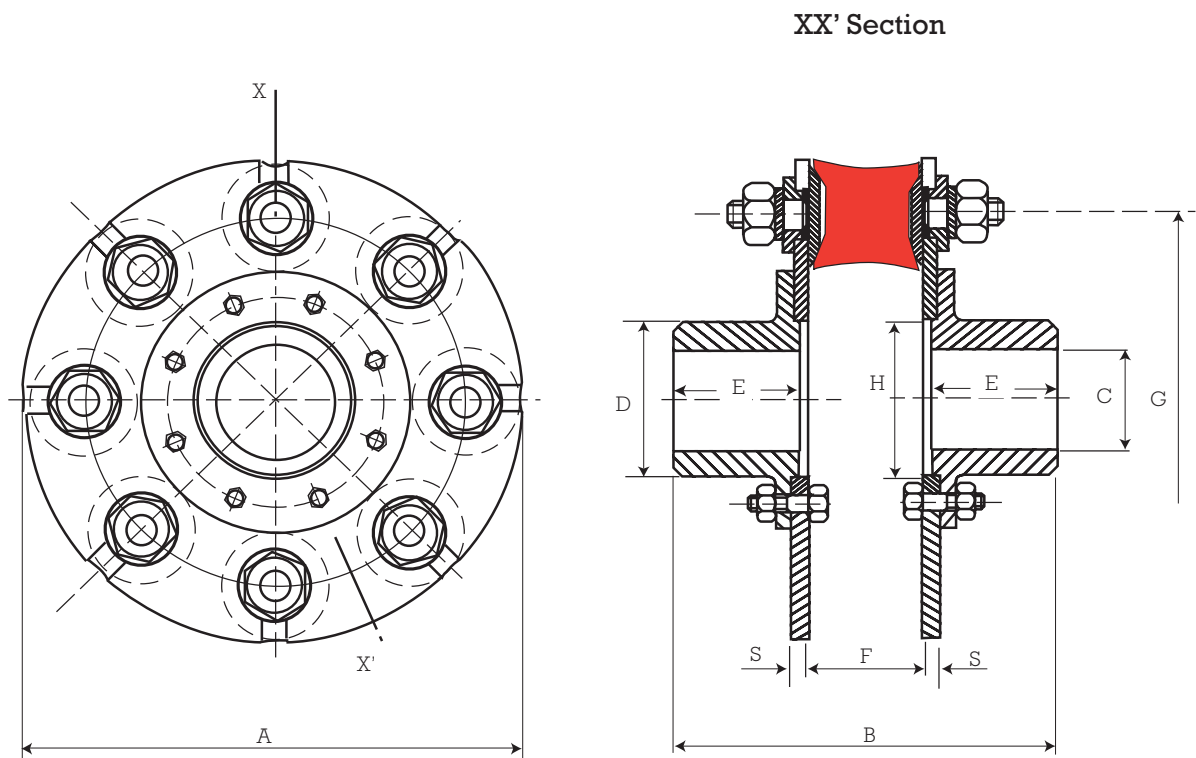


AXOFLEX



SPARE PARTS

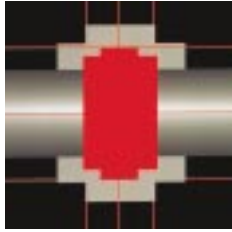
RADIAFLEX R COUPLING



Nominal torque N.m	Max speed rpm	Hole size C mm		A mm	B mm	D mm	E mm	Coupling reference	Flexible stud reference	Qty	F mm	G mm	H mm	S mm
		min	max											
0.8	4000	5	10	45	40	20	15	610503	521128	3	15	33	-	3
10	4000	0	26	80	59	40	20	610406	521201	6	19	60	-	5
30	3000	0	38	172	120	73	38	611113	521571	3	44	114	50	4
50	3000	0	38	172	120	73	38	611213	521572	3	44	114	50	4
80	3000	18	48	187	138	69	46	611116	521571	6	44	130	70	4
120	3000	18	48	187	138	69	46	611216	521572	6	44	130	70	4
160	3000	18	60	248	166	90	60	611108	521571	8	44	190	85	4
220	2500	18	60	248	166	90	60	611208	521572	8	44	190	85	4
300	2000	18	60	240	190	90	60	611408	521602	8	60	180	85	8
550	1500	23	80	300	240	115	85	611412	521602	12	60	236	115	8
1050	1500	28	100	395	275	145	102.5	611416	521602	16	60	330	145	8
1460	1500	28	120	430	356	177	136	611512	521801	12	70	340	178	10
2320	1500	28	120	475	366	177	136	611612	521951	12	76	380	178	12

1 Nm \neq 0.1 mkg

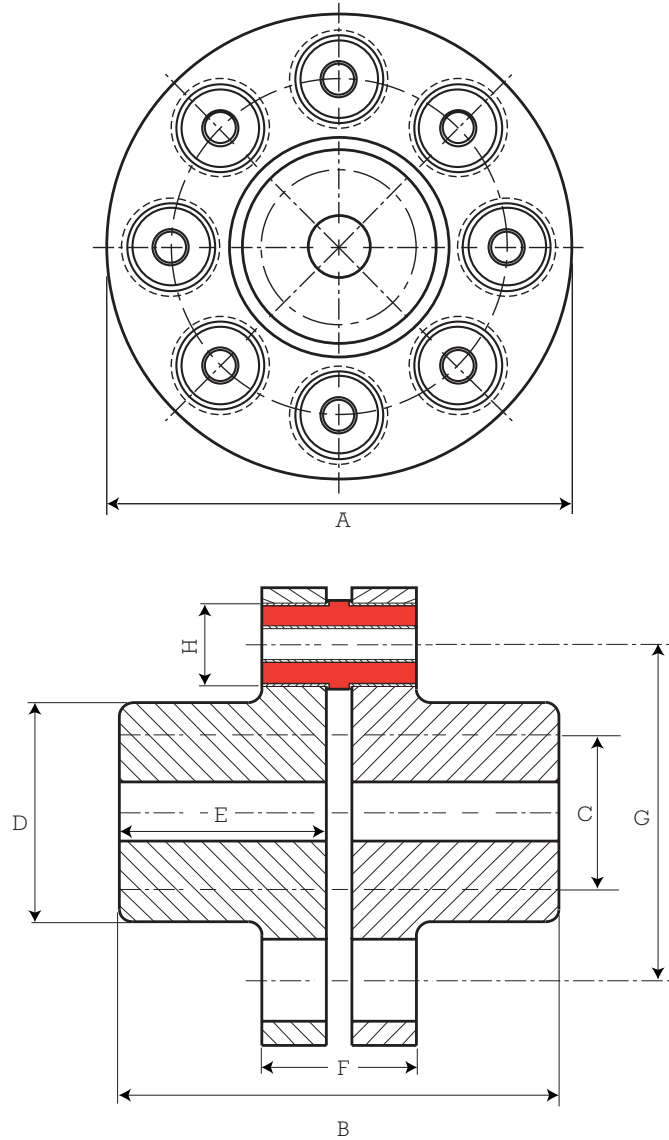




SPARE PARTS

GV COUPLING

Recommended in case of very high speed of rotation.



Nominal torque N.m	Max speed rpm	Hole size C mm		A mm	B mm	D mm	E mm	Type	Coupling reference	Stud reference	Nber of studs	F mm	G mm	H mm
		min	max											
80	9000	10	35	100	125	56	60	G.V.10-8	613101	523102	8	35	76	16
450	7000	24	60	180	170	85	80	G.V.40-8	613400	523401	8	70	130	32
1000	5000	35	70	220	235	100	110	G.V.80-8	613800	523801	8	115	150	40
3800	3500	35	120	330	320	170	150	G.V.150-10	613901	523902	10	120	250	50
5400	3000	35	140	380	340	200	160	G.V.150-12	613902	523902	12	120	300	50
9000	2500	40	180	480	400	250	190	G.V.150-16	613903	523902	16	120	400	50

1 Nm \neq 0.1 mkg



ALPHABETIC INDEX

Designation	Reference	Page	Designation	Reference	Page	Designation	Reference	Page
GV coupling	613101	58	Cardaflex	622403	38	Flexible element Torsoflex	682580	36
GV coupling	613400	58	Cardaflex	622404	38	Flexible element Torsoflex	682600	36
GV coupling	613800	58	Cardaflex	622405	38	Flexible element Torsoflex	682620	36
GV coupling	613901	58	Cardaflex	622406	38	Flexible element Torsoflex	682640	36
GV coupling	613902	58	Cardaflex	622407	38	Disk	322200	46
GV coupling	613903	58	Cordiflex	639012	46	Disk	322201	46
Radiaflex R coupling	610406	57	Cordiflex	639063	46	Disk	351011	55
Radiaflex R coupling	610503	57	Flexible element Cardaflex	622108	38	Disk	351012	55
Radiaflex R coupling	611108	57	Flexible element Cardaflex	622110	38	Disk	351013	55
Radiaflex R coupling	611113	57	Flexible element Cardaflex	622111	38	Disk	351014	55
Radiaflex R coupling	611116	57	Flexible element Cardaflex	622112	38	Disk	351015	55
Radiaflex R coupling	611208	57	Flexible element Cardaflex	622115	38	Disk	351016	55
Radiaflex R coupling	611213	57	Flexible element Cardaflex	622120	38	Disk	351017	55
Radiaflex R coupling	611216	57	Flexible element Cardaflex	622125	38	Disk	351018	55
Radiaflex R coupling	611408	57	Flexible element Cardaflex	622208	38	Disk	351026	55
Radiaflex R coupling	611412	57	Flexible element Cardaflex	622210	38	Disk	351027	55
Radiaflex R coupling	611416	57	Flexible element Cardaflex	622211	38	Disk	351028	55
Radiaflex R coupling	611512	57	Flexible element Cardaflex	622212	38	Disk	351029	55
Radiaflex R coupling	611612	57	Flexible element Cardaflex	622215	38	Disk	351042	55
Axoflex	615203	52-55	Flexible element Cardaflex	622220	38	Disk	351043	55
Axoflex	615204	52-55	Flexible element Cardaflex	622225	38	Disk	351044	55
Axoflex	615206	52-55	Flexible element Cordiflex	819823	46	Disk	351045	55
Axoflex	615208	52-55	Flexible element Juboflex	632500	22	Disk	351046	55
Axoflex	615210	52-55	Flexible element Juboflex	632502	22-24	Disk	351047	55
Axoflex	615212	52-55	Flexible element Juboflex	632503	22-24	Disk	351103	43
Axoflex	615253	52-55	Flexible element Juboflex	632505	22-24	Disk	351110	43
Axoflex	615254	52-55	Flexible element Juboflex	632507	22-24	Disk	351122	43
Axoflex	615256	52-55	Flexible element Juboflex	632508	22	Disk	351124	43
Axoflex	615258	52-55	Flexible element Juboflex	632511	22	Disk	351125	43
Axoflex	615260	52-55	Flexible element Juboflex	632520	22	Disk	351133	43
Axoflex	615262	52-55	Flexible element Juboflex 'S	632550	28	Disk	351134	43
Axoflex	615406	53-55	Flexible element Juboflex 'S	632551	28	Disk	351135	43
Axoflex	615408	53-55	Flexible element Juboflex 'S	632552	28	Disk	351142	43
Axoflex	615410	53-55	Flexible element Juboflex 'S	632553	28	Disk	351143	43
Axoflex	615412	53-55	Flexible element Juboflex 'S	632554	28	Disk	351152	43
Axoflex	615414	53-55	Flexible element Juboflex 'S	632555	28	Disk	351155	43
Axoflex	615418	53-55	Flexible element Juboflex 'S	632556	28	Disk	351156	43
Axoflex	615440	53-55	Flexible element Juboflex 'S	632557	28	Disk	351157	43
Axoflex	615442	53-55	Flexible element Miniflex	633501	14	Disk	351169	43
Axoflex	615444	53-55	Flexible element Miniflex	633510	14	Disk	351170	43
Axoflex	615456	53-55	Flexible element Miniflex	633520	14	Disk	351170	43
Axoflex	615458	53-55	Flexible element Miniflex	633540	14	Disk	351651	55
Axoflex	615460	53-55	Flexible element Miniflex	633640	14	Disk	351652	55
Axoflex	615462	53-55	Flexible element MPP	633551	18	Disk	351653	55
Axoflex	615464	53-55	Flexible element MPP	633552	18	Disk	351654	55
Axoflex	615468	53-55	Flexible element MPP	633553	18	Disk	351655	55
Axoflex	615490	53-55	Flexible element MPP	633554	18	Disk	351656	55
Axoflex	615492	53-55	Flexible element MPP	633555	18	Disk	351657	55
Axoflex	615494	53-55	Flexible element MPP	635619	30	Disk	351658	55
Cardaflex	622308	38	Flexible element Straflex	635631	30	Disk	351659	55
Cardaflex	622310	38	Flexible element Straflex	635632	32	Disk	351660	55
Cardaflex	622311	38	Flexible element Straflex	635633	32	Disk	351661	55
Cardaflex	622312	38	Flexible element Straflex	635634	32	Disk	351662	55
Cardaflex	622315	38	Flexible element Straflex	635635	32	Disk	351663	55
Cardaflex	622320	38	Flexible element Straflex	635636	30	Disk	351664	55
Cardaflex	622325	38	Flexible element Straflex	635637	30	Disk	351665	55
Cardaflex	622401	38	Flexible element Straflex				351666	55
Cardaflex	622402	38	Flexible element Straflex				351667	55
							351668	55

Designation	Reference	Page	Designation	Reference	Page	Designation	Reference	Page
Disk	351669	55	Flange	321464	18	Flexible stud Radiaflex	521602	57
Disk	351670	55	Flange	321465	18	Flexible stud Radiaflex	521801	57
Disk	351671	55	Flange	321501	14	Flexible stud Radiaflex	521951	57
Disk	351672	55	Flange	321503	14-18			
Disk	351673	55	Flange	321511	14	Flexible stud RTP	522090	43
Disk	351674	55	Flange	321521	14	Flexible stud RTP	522131	43
Disk	351675	55	Flange	321531	14	Flexible stud RTP	522240	43
Disk	351676	55	Flange	321534	14-18	Flexible stud RTPA 4	526401	43
Disk	351677	55	Flange	321535	14-18	Radiaflex RTP	612203	42
Juboflex	623017	22	Flange	321815	32	Radiaflex RTP	612204	42
Juboflex	623023	22	Flange	321819	32	Radiaflex RTP	612206	42
Juboflex	623025	22	Flange	321826	30	Radiaflex RTP	612208	42
Juboflex	623027	22	Flange	321827	32	Radiaflex RTP	612210	42
Juboflex	623029	22	Flange	324601	55	Radiaflex RTP	612212	42
Juboflex	623031	22	Flange	324602	55	Radiaflex RTP	612406	42
Juboflex	623043	22	Flange	331100	30	Radiaflex RTP	612408	42
Juboflex	623320	22	Flange	331106	30	Radiaflex RTP	612410	42
Juboflex with separate hub	632205	24	Flange	331107	30	Radiaflex RTP	612412	42
Juboflex with separate hub	632210	24	Round flange	321621	38	Radiaflex RTP	612416	42
Juboflex with separate hub	632217	24	Round flange	321631	38	Radiaflex RTP	612606	42
Juboflex with separate hub	632226	24	Round flange	321641	38	Radiaflex RTP	612608	42
Juboflex 'S	632260	28	Round flange	321651	38	Radiaflex RTP	612612	42
Juboflex 'S	632261	28	Round flange	321661	38	Radiaflex RTP	612613	42
Juboflex 'S	632262	28	Round flange	321671	38	Radiaflex RTP	612616	42
Juboflex 'S	632263	28	Triangular flange	321626	38	Disassembly band	331240	22
Juboflex 'S	632264	28	Triangular flange	321636	38	Disassembly band	331241	22-24-28
Juboflex 'S	632265	28	Triangular flange	321646	38	Disassembly band	331242	22-24-28
Juboflex 'S	632266	28	Triangular flange	321656	38	Disassembly band	331243	22-24-28
Flange	321136	43-55	Triangular flange	321666	38	Disassembly band	331244	22-24-28
Flange	321138	43-55	Triangular flange	321676	38	Disassembly band	331245	22
Flange	321147	36-43-55	Miniflex	633010	14	Disassembly band	331246	22
Flange	321154	36-43-55	Miniflex	633020	14	Disassembly band	331247	22
Flange	321167	36-43-55	Miniflex	633038	14	Straflex	635100	30
Flange	321182	43	Miniflex	633039	14	Straflex	635105	30
Flange	321189	43	Miniflex	633040	14	Straflex	635106	30
Flange	321191	36-43-55	Miniflex	633041	14	Straflex	635107	30
Flange	321193	43	Miniflex	633044	14	Straflex	635301	30
Flange	321195	43	Miniflex	633047	14	Straflex	635302	30
Flange	321197	43	MPP	633051	18	Straflex	635303	30
Flange	321314	22	MPP	633052	18	Straflex	635304	30
Flange	321315	30	MPP	633053	18	Straflex with separate hub	635305	32
Flange	321316	24-32	MPP	633054	18	Straflex with separate hub	635306	32
Flange	321324	22	MPP	633055	18	Straflex with separate hub	635307	32
Flange	321325	30	Flexible stud Axoflex	525210	52-55	Straflex with separate hub	635308	32
Flange	321326	24	Flexible stud Axoflex	525211	52-55	Tetraflex	630400	48
Flange	321334	22	Flexible stud Axoflex	525400	52-55	Tetraflex	630408	48
Flange	321335	30	Flexible stud Axoflex	525403	52-55	Tetraflex	630419	50
Flange	321336	24	Flexible stud GV	523102	58	Tetraflex	630422	50
Flange	321344	22	Flexible stud GV	523401	58	Tetraflex	630425	50
Flange	321345	30	Flexible stud GV	523801	58	Tetraflex	630470	50
Flange	321346	24	Flexible stud GV	523902	58	Torsoflex	682080	36
Flange	321354	22	Flexible stud Radiaflex	521128	57	Torsoflex	682100	36
Flange	321364	22	Flexible stud Radiaflex	521201	57	Torsoflex	682120	36
Flange	321374	22	Flexible stud Radiaflex	521571	57	Torsoflex	682140	36
Flange	321390	22	Flexible stud Radiaflex	521572	57			
Flange	321401	46	Flexible stud Radiaflex					

NUMERIC INDEX

Reference	Désignation	Page	Reference	Designation	Page	Reference	Designation	Page
321136	Flange	43-55	331242	Disassembly band	22-24	351674	Disk	55
321138	Flange	43-55	331243	Disassembly band	22-24	351675	Disk	55
321147	Flange	3643-55	331244	Disassembly band	22	351676	Disk	55
321154	Flange	3643-55	331245	Disassembly band	22	351677	Disk	55
321167	Flange	3643-55	331246	Disassembly band	22	521128	Flexible stud Radiaflex	57
321182	Flange	43	331247	Disassembly band	22	521201	Flexible stud Radiaflex	57
321189	Flange	43	351011	Disk	55	521571	Flexible stud Radiaflex	57
321191	Flange	43	351012	Disk	55	521572	Flexible stud Radiaflex	57
321193	Flange	22	351013	Disk	55	521602	Flexible stud Radiaflex	57
321195	Flange	30	351014	Disk	55	521801	Flexible stud Radiaflex	57
321197	Flange	24-32	351015	Disk	55	521951	Flexible stud Radiaflex	57
321314	Flange	22	351016	Disk	55	522090	Flexible stud RTP	43
321315	Flange	30	351017	Disk	55	522131	Flexible stud RTP	43
321316	Flange	24	351018	Disk	55	522240	Flexible stud RTP	43
321324	Flange	22	351026	Disk	55	523102	Flexible stud GV	58
321325	Flange	30	351027	Disk	55	523401	Flexible stud GV	58
321326	Flange	24	351028	Disk	55	523801	Flexible stud GV	58
321334	Flange	22	351029	Disk	55	523902	Flexible stud GV	58
321335	Flange	30	351042	Disk	55	525210	Flexible stud Radiaflex	52-55
321336	Flange	24	351043	Disk	55	525211	Flexible stud Radiaflex	52-55
321344	Flange	22	351044	Disk	55	525400	Flexible stud Radiaflex	52-55
321345	Flange	30	351045	Disk	55	525403	Flexible stud Radiaflex	52-55
321346	Flange	24	351046	Disk	55	526401	Flexible stud RTPA 4	43
321354	Flange	22	351047	Disk	55	610406	Radiaflex R coupling	57
321364	Flange	22	351103	Disk	55	610503	Radiaflex R coupling	57
321374	Flange	22	351110	Disk	55	611108	Radiaflex R coupling	57
321390	Flange	22	351122	Disk	55	611113	Radiaflex R coupling	57
321401	Flange	46	351124	Disk	55	611116	Radiaflex R coupling	57
321464	Flange	18	351125	Disk	55	611208	Radiaflex R coupling	57
321465	Flange	18	351133	Disk	55	611213	Radiaflex R coupling	57
321501	Flange	14	351134	Disk	55	611216	Radiaflex R coupling	57
321503	Flange	14-18	351135	Disk	55	511408	Radiaflex R coupling	57
321511	Flange	14	351142	Disk	55	611412	Radiaflex R coupling	57
321521	Flange	14	351143	Disk	55	611416	Radiaflex R coupling	57
321531	Flange	14	351152	Disk	55	611512	Radiaflex R coupling	57
321534	Flange	14-18	351155	Disk	55	611612	Radiaflex R coupling	57
321535	Flange	14-18	351156	Disk	55	612203	Radiaflex RTP	42
321621	Round flange	38	351157	Disk	55	612204	Radiaflex RTP	42
321626	Triangular flange	38	351169	Disk	55	612206	Radiaflex RTP	42
321631	Round flange	38	351170	Disk	55	612208	Radiaflex RTP	42
321636	Triangular flange	38	351651	Disk	55	612210	Radiaflex RTP	42
321641	Round flange	38	351652	Disk	55	612212	Radiaflex RTP	42
321646	Triangular flange	38	351653	Disk	55	612406	Radiaflex RTP	42
321651	Round flange	38	351654	Disk	55	612408	Radiaflex RTP	42
321656	Triangular flange	38	351655	Disk	55	612410	Radiaflex RTP	42
321661	Round flange	38	351656	Disk	55	612416	Radiaflex RTP	42
321666	Triangular flange	38	351657	Disk	55	612606	Radiaflex RTP	42
321671	Round flange	38	351658	Disk	55	612608	Radiaflex RTP	42
321676	Triangular flange	38	351659	Disk	55	612613	Radiaflex RTP	42
321815	Flange	32	351660	Disk	55	612616	Radiaflex RTP	42
321819	Flange	32	351661	Disk	55	613101	GV coupling	58
321826	Flange	30	351662	Disk	55	613400	GV coupling	58
321827	Flange	32	351663	Disk	55	613800	GV coupling	58
322200	Disk	46	351664	Disk	55	613901	GV coupling	58
322201	Disk	46	351665	Disk	55	613902	GV coupling	58
324601	Flange	55	351666	Disk	55	613903	GV coupling	58
324602	Flange	55	351667	Disk	55	615203	Axoflex	52-55
331100	Flange	30	351668	Disk	55	615204	Axoflex	52-55
331106	Flange	30	351669	Disk	55	615206	Axoflex	52-55
331107	Flange	30	351670	Disk	55	615208	Axoflex	52-55
331240	Disassembly band	22	351671	Disk	55			
331241	Disassembly band	22-24	351672	Disk	55			
			351673	Disk	55			

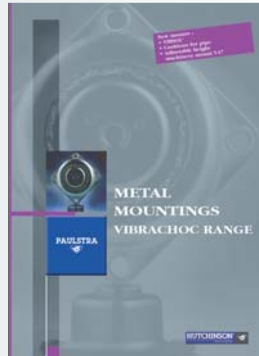
Reference	Designation	Page	Reference	Designation	Page	Reference	Designation	Page
615210	Axoflex	52-55	622405	Cardaflex	38	633040	Miniflex	14
615212	Axoflex	52-55	622406	Cardaflex	38	633041	Miniflex	14
615253	Axoflex	52-55	622407	Cardaflex	38	633044	Miniflex	14
615254	Axoflex	52-55	630400	Tétraflex	48	633047	Miniflex	14
615256	Axoflex	52-55	630408	Tétraflex	48	633051	MPP	18
615258	Axoflex	52-55	630419	Tétraflex	50	633052	MPP	18
615260	Axoflex	52-55	630420	Tétraflex	50	633054	MPP	18
615262	Axoflex	52-55	630470	Tétraflex	50	633055	MPP	18
615406	Axoflex	53-55	630802	Tétraflex	50	633501	Flexible element Miniflex	14
615408	Axoflex	53-55	632017	Juboflex	22	633510	Flexible element Miniflex	14
615410	Axoflex	53-55	632023	Juboflex	22	633520	Flexible element Miniflex	14
615412	Axoflex	53-55	632025	Juboflex	22	633540	Flexible element Miniflex	14
615414	Axoflex	53-55	632027	Juboflex	22	633551	Flexible element MPP	18
615418	Axoflex	53-55	632029	Juboflex	22	633552	Flexible element MPP	18
615440	Axoflex	53-55	632031	Juboflex	22	633553	Flexible element MPP	18
615442	Axoflex	53-55	632043	Juboflex	22	633554	Flexible element MPP	18
615444	Axoflex	53-55	632205	Juboflex with separate hub	24	633555	Flexible element MPP	18
615456	Axoflex	53-55	632210	Juboflex with separate hub	24	633640	Flexible element Miniflex	14
615458	Axoflex	53-55	632217	Juboflex with separate hub	24	635100	Straflex	30
615460	Axoflex	53-55	632226	Juboflex with separate hub	24	635105	Straflex	30
615462	Axoflex	53-55	632260	Juboflex 'S	28	635106	Straflex	30
615464	Axoflex	53-55	632261	Juboflex 'S	28	635107	Straflex	30
615468	Axoflex	53-55	632262	Juboflex 'S	28	635301	Straflex	30
615490	Axoflex	53-55	632263	Juboflex 'S	28	635302	Straflex	30
615492	Axoflex	53-55	632264	Juboflex 'S	28	635303	Straflex	30
615494	Axoflex	53-55	632265	Juboflex 'S	28	635304	Straflex	30
622108	Flexible element Cardaflex	38	632266	Juboflex 'S	28	635305	Straflex with separate hub	32
622110	Flexible element Cardaflex	38	632267	Juboflex 'S	28	635306	Straflex with separate hub	32
622111	Flexible element Cardaflex	38	632320	Juboflex	28	635307	Straflex with separate hub	32
622112	Flexible element Cardaflex	38	632500	Flexible element Juboflex	22	635308	Straflex with separate hub	32
622115	Flexible element Cardaflex	38	632502	Flexible element Juboflex	22-24	635619	Flexible element Straflex	30
622120	Flexible element Cardaflex	38	632503	Flexible element Juboflex	22-24	635631	Flexible element Straflex	30
622125	Flexible element Cardaflex	38	632505	Flexible element Juboflex	22-24	635632	Flexible element Straflex	30-32
622208	Flexible element Cardaflex	38	632507	Flexible element Juboflex	22-24	635633	Flexible element Straflex	30-32
622210	Flexible element Cardaflex	38	632508	Flexible element Juboflex	22	635634	Flexible element Straflex	30-32
622211	Flexible element Cardaflex	38	632511	Flexible element Juboflex	22	635636	Flexible element Straflex	30
622212	Flexible element Cardaflex	38	632520	Flexible element Juboflex	22	635637	Flexible element Straflex	30
622215	Flexible element Cardaflex	38	632550	Flexible element Juboflex 'S	28	639012	Cordiflex	46
622220	Flexible element Cardaflex	38	632551	Flexible element Juboflex 'S	28	639063	Cordiflex	46
622225	Flexible element Cardaflex	38	632552	Flexible element Juboflex 'S	28	682080	Torsoflex	36
622308	Cardaflex	38	632553	Flexible element Juboflex 'S	28	682100	Torsoflex	36
622310	Cardaflex	38	632554	Flexible element Juboflex 'S	28	682120	Torsoflex	36
622311	Cardaflex	38	632555	Flexible element Juboflex 'S	28	682140	Torsoflex	36
622312	Cardaflex	38	632556	Flexible element Juboflex 'S	28	682580	Flexible element Torsoflex	36
622315	Cardaflex	38	632557	Flexible element Juboflex 'S	28	682600	Flexible element Torsoflex	36
622320	Cardaflex	38	633010	Miniflex	14	682620	Flexible element Torsoflex	36
622325	Cardaflex	38	633020	Miniflex	14	682640	Flexible element Torsoflex	36
622401	Cardaflex	38	633038	Miniflex	14	682823	Flexible element Torsoflex	36
622402	Cardaflex	38	633039	Miniflex	14			
622403	Cardaflex	38						
622404	Cardaflex	38						

OTHER PAULSTRA DOCUMENTATION

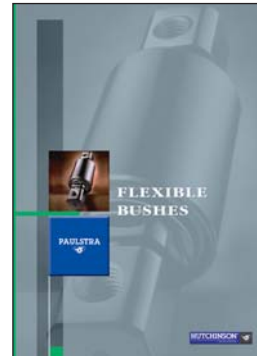
Available upon request



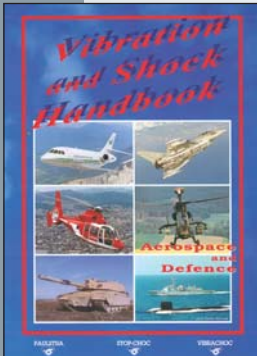
FLEXIBLE MOUNTINGS
CATALOG



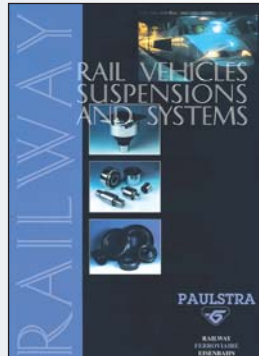
METAL MOUNTINGS
CATALOG



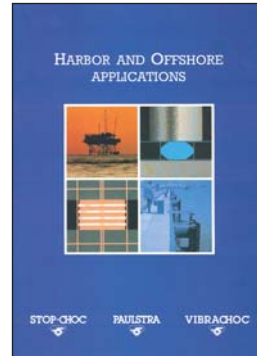
FLEXIBLE BUSHES
CATALOG



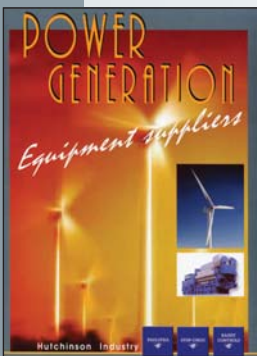
AEROSPACE AND DEFENCE
CATALOG



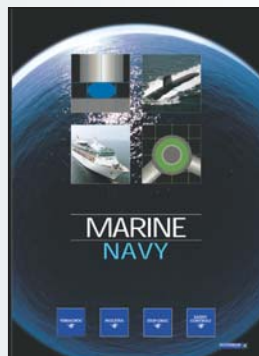
RAILWAY
CATALOG



OFFSHORE
CATALOG



POWER GENERATION
LEAFLET



MARINE / NAVY
LEAFLET



INDUSTRIAL VEHICLES
LEAFLET