

Beschreibung

TAG-no. AK-394

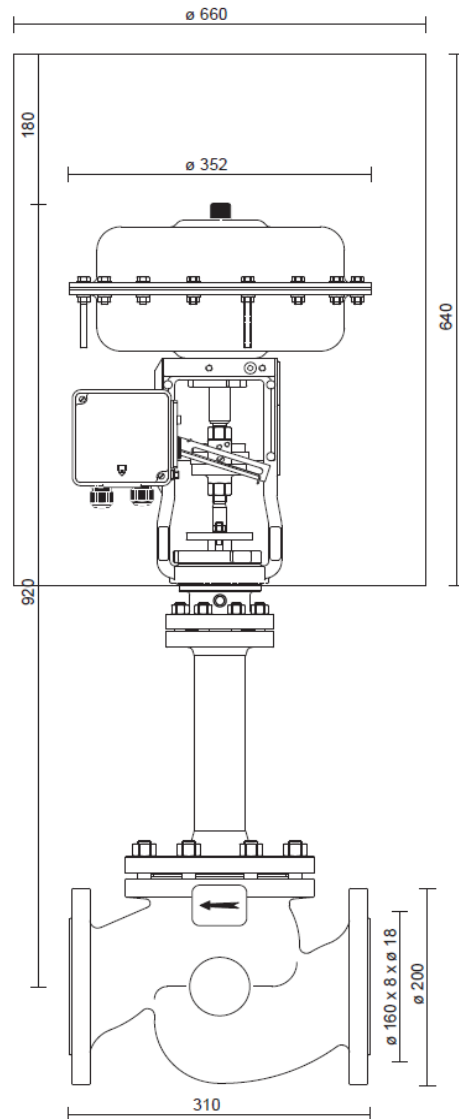
Type	DN	PN/CI	Body	Plug	Seat	kvs	Trim	Actuator
V701 DKVBU	80	40	1.0619/ODAB	PONP1GG	67	100	316 SS	IG 503BDYOZB

1 pc. Control Valve DN 80, PN 40

Type	V701 Valtek GS Single seat-control valve
Body	D Straight way, 3-flange
Connection type	K Flange, surface form B1 acc. to EN 1092-1
Balance	V Not balanced
Bonnet	B Bellow seal bonnet
Stuffing box packing	U PTFE TA-Luft spring loaded
Body material no.	1.0619 cast steel
Regulations for material	O PED Standard
Material certificate	D EN 10204-3.1 (copies of material certificates, Body, Bonnet)
Regulations for final test	A EN 1349 Standard (IEC-534/FCI 70-2)
Final test certificate	B EN 10204-3.1
Plug design	P Parabolic plug
Trim equipment	O Without additional trim equipment
Construction	N Standard
Seat leakage	P Class IV IEC/FCI (0,01 % off Kvs/cv-value)
Plug guiding	1 Top guided
Characteristic	G Modified equal percentage
Flow direction	G Pressure opens the plug
Seat	67 mm
kvs-value	100 m ³ /h
Stroke	40 mm
Trim material no.	316 SS
Painting	Valve body: Epoxy paint V16 Standard/Actuator: Powder paint V01/Yoke blue chromated
Max. diff. pressure	6,000 bar
Nec.force	3699 N
Actuator	IG 503
Colour	B White
Spring / range	DY 1,000 - 2,400 bar
Manual operation	O without handwheel
failsafe position	Z at air failure close
Nec. /max. air supply	2,800 bar / 6 bar
Positioner	SRI 986-BIDF7EAANA-F+EBZG-HN, Electro-pneumatic positioner, NAMUR mounted, with integrated position transmitter 4-20 mA, Intrinsically Safe II 2 G EEx ia IIC T6
Input signal	4 (Close) - 20 (Open) mA
Tubing	CrNi-steel
Screwed connection	CrNi-steel
Dimension	6 mm

Beschreibung

Type	DN	PN/CI	Body	Plug	Seat	kvs	Trim	Actuator	S
V701 DKVBU	80	40	1.0619/ODAB	PONP1GG	67	100	316 SS	IG 503BDYOZB	



VALVE

Type:
V701 Valtek GS-Single seat-control valve
Body:
Straight way, 3-flange
Connection type:
Flange, surface form B1 acc. to EN 1092-1
Balance:
Not balanced
Bonnet
Bellow seal bonnet

ACTUATOR

Actuator:
IG 503
Colour:
B White
Manual operation:
without handwheel
failsafe position:
Z at air failure close

ACCESSORY

El. Pneum. Positioner:

Total weight app. 63,5 kg