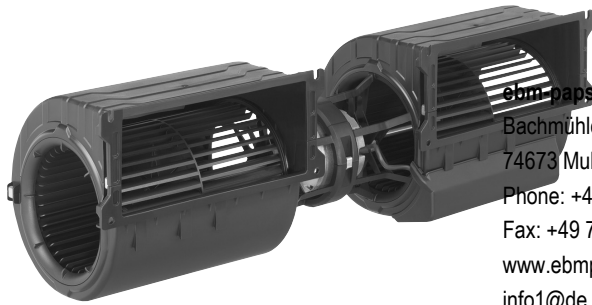


K4E146-AB73-21

AC- dual centrifugal fan with housing

forward curved, dual inlet



ebmpapst Mulfingen GmbH & Co. KG
Bachmühle 2
74673 Mulfingen
Phone: +49 7938 81-0
Fax: +49 7938 81-110
www.ebmpapst.com
info1@de.ebmpapst.com

Nominal data

Type	K4E146-AB73-21	
Motor	M4E068-DF	
Phase		1~
Nominal voltage	[V]	230
Frequency	[Hz]	50
Type of data definition		rfa
Valid for approval / standard		CE
Speed	[min ⁻¹]	750
Power input	[W]	85
Current draw	[A]	0.38
Motor capacitor	[μF]	2.5
Capacitor voltage	[VDB]	450
Min. back pressure	[Pa]	0
Max. ambient temperature	[°C]	50
Air flow	[m ³ /h]	1180
Back pressure	[Pa]	0
Sound pressure level	[dB(A)]	47

ml = max. load · me = max. efficiency · rfa = running at free air · cs = customer specs · cu = customer unit
Subject to alterations

Technical features

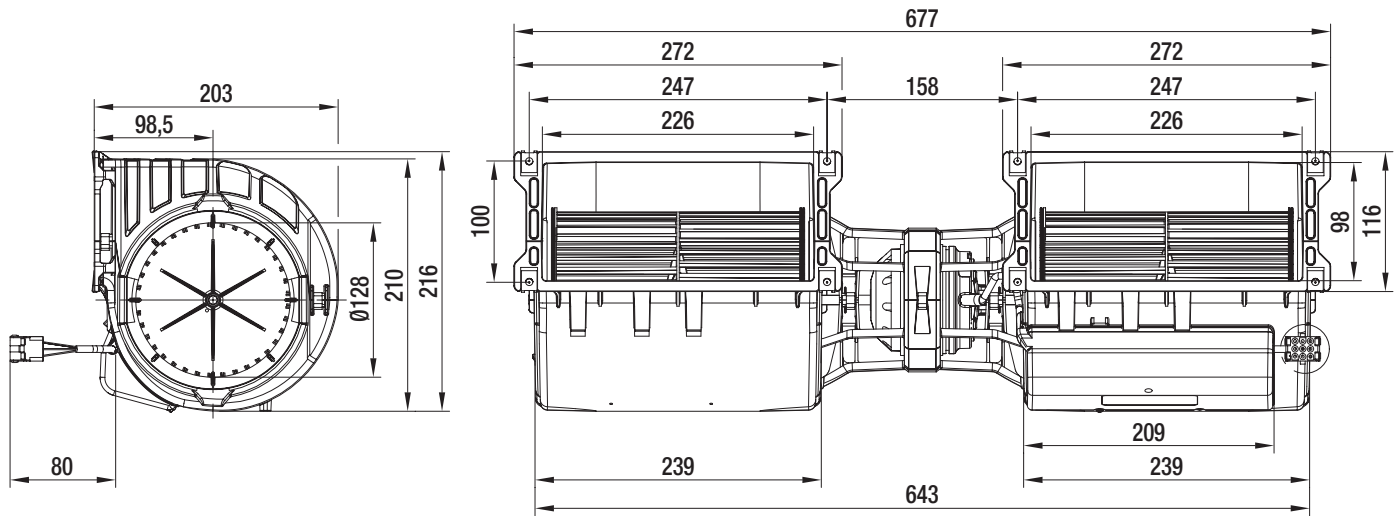
Leakage current	< 0,75 mA
Size	146 mm
Operation mode	Continuous operation (S1)
Speed steps	5
Electrical leads	As per customer specification
Direction of rotation	Clockwise, seen on rotor
Insulation class	"F"
Cable exit	Variable
Motor capacitor	P2
Bearing-motor	Ball bearing
Mass	4.0 kg
Material of electronics housing	Rotor: Partially cast in aluminum
Material of impeller	PA plastic, black
Motor protection	Thermal overload protector (TOP) wired internally
Product conforming to standard	CE
Type of protection	IP 44
Protection class	I
Approval	CCC

K4E146-AB73-21

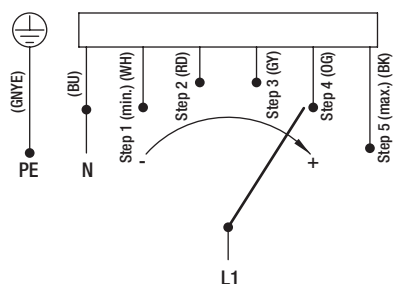
AC- dual centrifugal fan with housing

forward curved, dual inlet

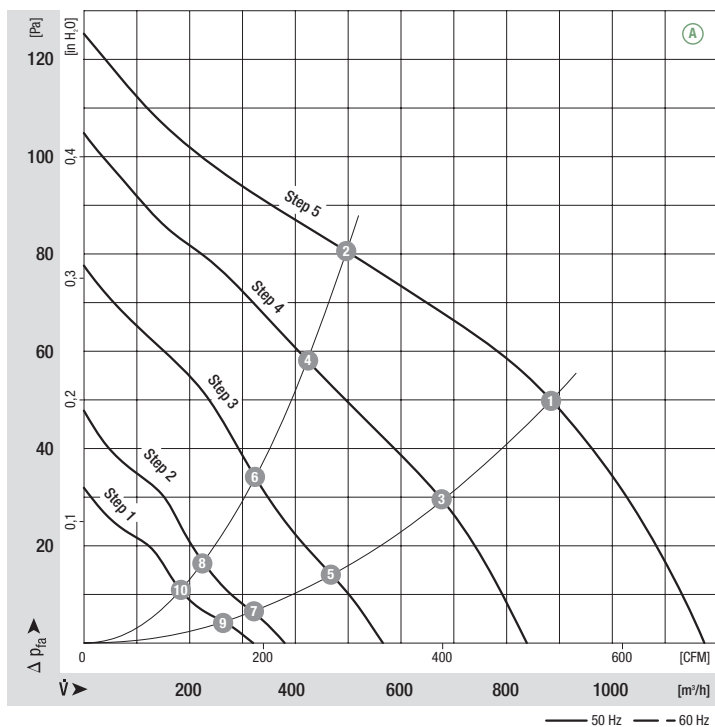
Product drawing



Connection screen



Charts: Air flow



	n	P₁	I	LpA_{ss}
	[min ⁻¹]	[W]	[A]	[dB(A)]
1	1050	76	0.33	45
2	1240	65	0.28	46
3	810	59	0.27	39
4	1060	51	0.24	41
5	570	47	0.22	29
6	820	43	0.21	35
7	400	13	0.15	25
8	580	13	0.15	28
9	330	10	0.13	25
10	480	10	0.13	26