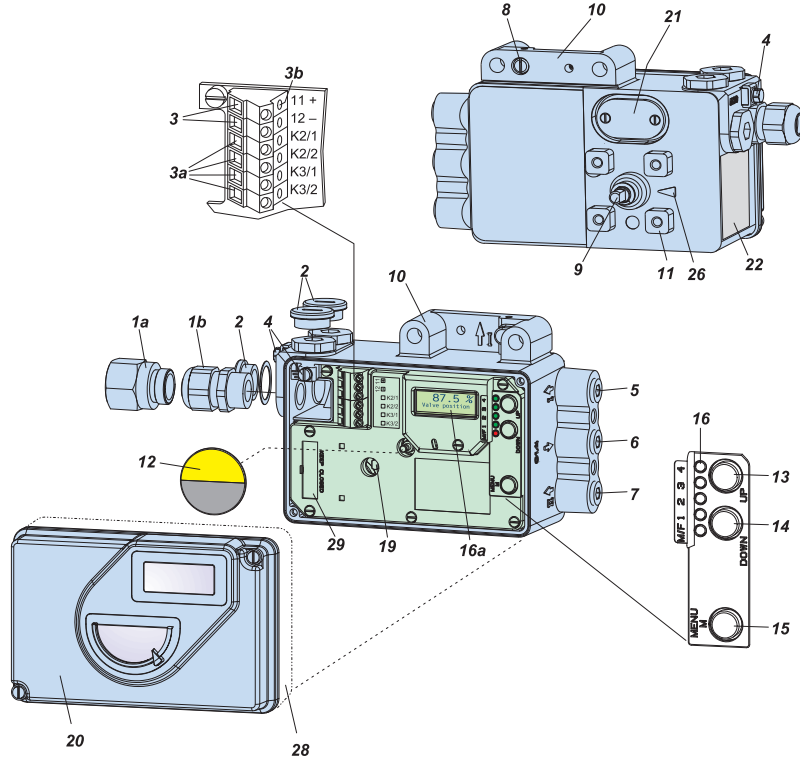


FUNCTIONAL DESIGNATIONS

Figure 19. Functional Designations



- | | |
|---|---|
| <p>1a Adapter, e.g. 1/2"-14 NPT</p> <p>1b Cable gland</p> <p>2 Plug, interchangeable with Pos.1</p> <p>3 Screw terminals (a)
(11 / 12) for input (w) or for bus connection IEC 61158-2</p> <p>3a Screw terminals (a) for additional inputs / outputs</p> <p>3b Test sockets Ø 2 mm, integrated in terminal block</p> <p>4 Ground connection</p> <p>5 Female thread (c) 1/4 -18 NPT for output I (y1)</p> <p>6 Female thread (c) 1/4 -18 NPT for air supply (s)</p> <p>7 Female thread (c)1/4 -18 NPT for output II (y2)</p> <p>8 Direct attachment hole for output I (y1)</p> <p>9 Feedback shaft</p> <p>10 Connection manifold for attachment to stroke actuators
(not with VDI/VDE 3847 version)</p> <p>11 Connection base for attachment to rotary actuators</p> <p>12 Travel indicator</p> | <p>13 Key UP</p> <p>14 Key DOWN</p> <p>15 Key M (Menu)</p> <p>16 Status display (1 red LED, 4 green LEDs)
(b)</p> <p>16a LCD with true text in 3 different languages</p> <p>19 Fixing shaft for limit switch</p> <p>20 Cover with window to 12</p> <p>21 Air vent, dust and water protected</p> <p>22 Data label</p> <p>26 Arrow is perpendicular to shaft 9 at angle
0 degree</p> <p>28 High cover with built-in limit switch</p> <p>29 Plug for service connector</p> |
|---|---|

- a. Alternatively Cage clamps (WAGO) instead of screw terminals.
- b. Depending on the version, the device is equipped with or without LEDs.
- c. With marked letter "G" in the housing the pneumatic connecting threads are cut as G 1/4 instead of 1/4-18 NPT.

MODEL CODES SRD991

Description	Model
Intelligent Positioners	SRD991
Version	
Single Acting	-B
Double Acting	-C
Input/Communication	
Intelligent without communication (4 - 20 mA)	D
HART Communication (4 - 20 mA)	H
PROFIBUS-PA (according to FISCO)	P
FOUNDATION Fieldbus H1 (incl. PID-Fct. Block, according to FISCO)	Q
Additional Inputs/Outputs	
Prepared for Additional In-/Outputs	N
Binary Inputs (a)	B
Binary Inputs-Outputs (mandatory for ESD application) (a)	E
Position Feedback 4 - 20 mA and one Binary Output for Alarm	F
Built-In Limit Switch	
Without Built-In Limit Switch	S
Inductive Limit Switch - Intrinsically Safe (Standard Version SJ2-N)	T
Inductive Limit Switch - Intrinsically Safe (Security Version SJ2-SN)	U
Inductive Limit Switch - Three wire version (b)	R
Mechanical Switches (Micro-Switches) / UL- and CSA-approved (b)	V
Potentiometer Input - CEM Filter (for Remote Mounting - main unit) (c)	D
Cable Entry	
M20 x 1.5 without Cable Gland	1
1/2"-14 NPT (with Adapter(s) M20x1.5 to 1/2"-14 NPT)	6
M20 x 1.5 with One Plastic Cable Gland	7
Electrical Classification	
Without Ex	ZZZ
for Input/Communication D, H (d)	
for Input/Communication H, F (e)	
II 2 G Ex ia IIC T4 Gb according to ATEX / IECEx (f)	EA4
II 2 G Ex ia IIC T6 Gb according to ATEX / IECEx (g)	EAA
II 3 G/D Ex ic T4 Gc/Dc according to ATEX	2C4
II 3 G/D Ex ic T6 Gc/Dc according to ATEX	2CA
II 2 G Ex ia IIC T4 Gb + II 1D Ex iaD 20 T100°C Da according to ATEX / IECEx (f)	ED4
II 2 G Ex ia IIC T6 Gb + II 1D Ex iaD 20 T100°C Da according to ATEX / IECEx (g)	EDA
FM Nonincendive for Class I, Division 2, Groups A, B, C, D, Hazardous Locations Indoors and Outdoors, Type 4X	NFM
for Input/Communication D, H (d)	
FM Approved for Intrinsic Safety Class I, Division 1, Groups A, B, C, D, Hazardous Locations Indoors and Outdoors, Type 4X	FAA
for Input/Communication D, H (d)	
CSA Approved for Intrinsic Safety Class I, Division 1, Groups A, B, C, D, Hazardous Locations Indoors and Outdoors, Type 4X	CAA
for Input/Communication D, H (d)	
EAC Approved for Intrinsic Safety Ex ia IIC T4 (f)	RU4
EAC Approved for Intrinsic Safety Ex ia IIC T6..T4 (g)	RU6
NEPSI – Ex ia IIC T4/T6 Gb Ex iaD 20 T100°C IP65	
INMETRO – Ex ia IIC T6 Gb (-40°C <= Tamb <= +55°C) IP66	BA6
INMETRO – Ex ia IIC T4 Gb (-40°C <= Tamb <= +80°C) IP66	BA4
Attachment Kit	
Order as Auxiliary	N

MODEL CODES SRD991 (CONTINUED)

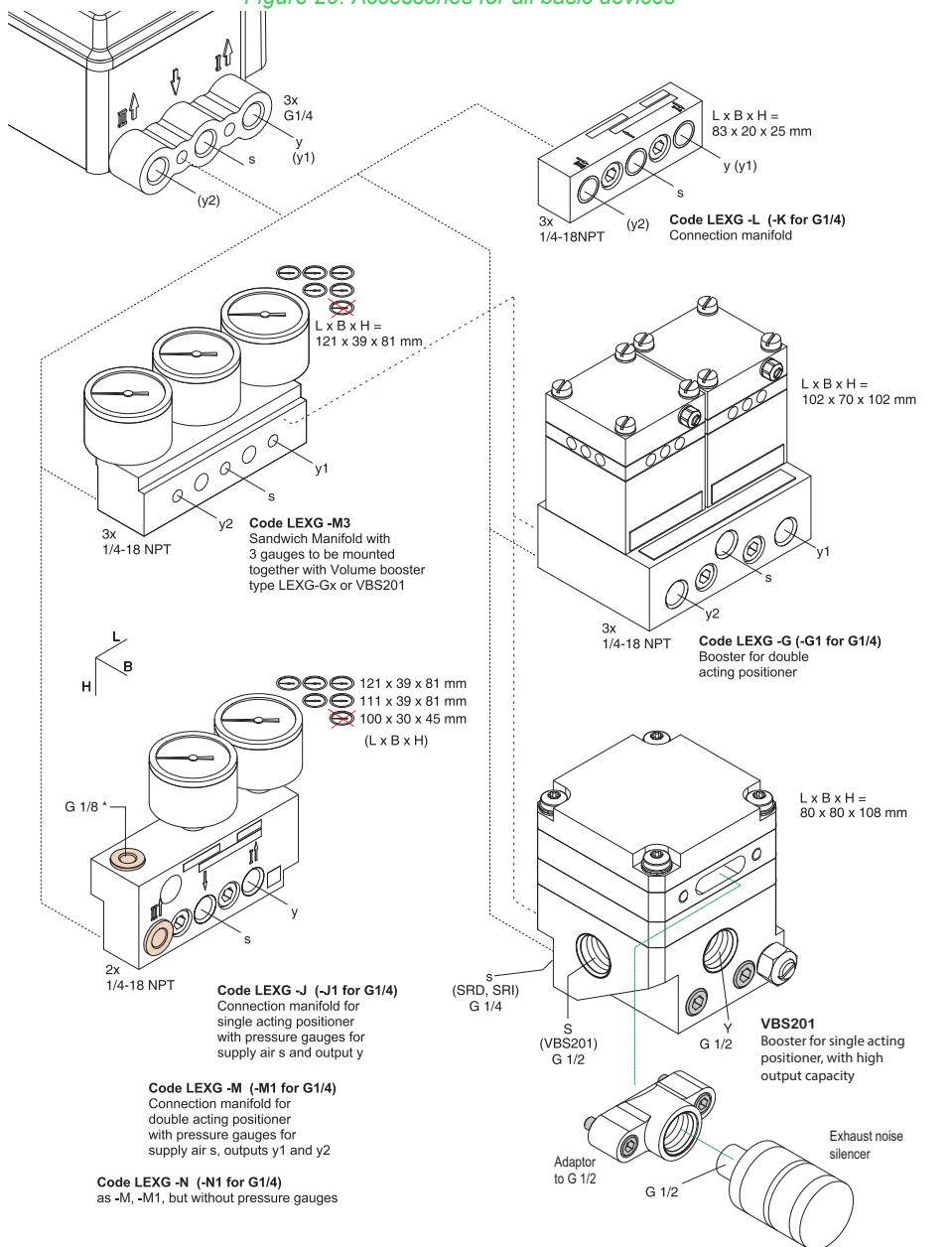
Description	Model
Intelligent Positioners	SRD991
Manifold	
Pneumatic connection 1/4 - 18 NPT made of an additional manifold	Y
Pneumatic connection G 1/4	R
OPTIONS	
Premium Diagnostics Features (made with built-in Pressure Sensors) (h)	-B
Positioner free of copper and its alloys (i)	-C
Pneumatic Amplifier in the "Spool Valve" Version (j)	-S
Approved for SIL2 / SIL3 application	-Q
Custom Configuration	-T
With Russian Passport	-R
Version of Positioner according to VDI/VDE 3847	-N
Version for ESD Valve with PST functionalities (k)	-E
Rotating angle up to 300°	-J
Stainless Steel Housing (l)	-Z
Stainless Steel Housing without SST gauges (ll)	-Z1
Stainless Steel Housing 10 bar supply (m)	-ZK
Stainless Steel Housing 10 bar supply without SST gauges (m)	-ZK1
Top Mounting version of SRD991 with built-in linear potentiometer (n) (o)	-W
LCD with Menu-Language in English / German / French	-V01
LCD with Menu-Language in English / German / Spanish	-V02
LCD with Menu-Language in English / German / Portuguese	-V03
LCD with Menu-Language in English / German / Polish	-V04
LCD with Menu-Language in English / German / Czech	-V05
LCD with Menu-Language in English / German / Italian	-V06
LCD with Menu-Language in English / German / Turkish	-V07
LCD with Menu-Language in English / German / Swedish	-V08
LCD with Menu-Language in English / German / Finnish	-V09
LCD with Menu-Language in English / German / Russian	-V11
LCD with Menu-Language in English / German / Hungarian	-V12
LCD with Menu-Language in English / German / Serbian	-V13
LCD with Menu-Language in English / German / Dutch	-V14
LCD with Menu-Language in English / German / Romanian	-V15
LCD with Menu-Language in English / German / Lithuanian	-V16
Tag No. Labeling	
Stamped with Weather Resistant Color	-G
Stainless Steel Label Fixed with Wire	-L

- a. Not available with Electrical Classification FAA, NFM and CAA
- b. Only with Electrical Classification: ZZZ
- c. Only with ELECTRICAL CLASSIFICATION EA4, EAA or ZZZ
- d. Not with Optional Features -B
- e. Only in connection with Optional Features -B
- f. Only with Input/Communication D, H
- g. Only with Input/Communication F, H, P and Q
- h. Only available for Input/Communication F, H, P and Q in connection with Electrical Classification ZZZ, FAA, NFM, EAA, CAA & GAA
- i. Available WITH (Version: B) or WITH (Version: C) AND (Optional Features: S)
- j. Only with Version -C
- k. Only with (additional Inputs/Outputs E) AND (Optional Feature -B)
- l. Available WITH (Version: C) AND (Built-in Limit Switch: S, D) AND (Electrical Classification: ZZZ, EA4, EAA, GA4, GAA, NFM, FAA) OR WITH (Version: B) AND (Built-in Limit Switch: S, D) AND (Electrical Classification: ZZZ, EA4, EAA, GA4, GAA, NFM, FAA)
- m. Available WITH (Version: C) and (Built-in Limit Switch: S, D) and (Electrical Classification: ZZZ, EA4, EAA, EDA, D4, GA4, GAA, NFM, FAA) AND (Optional feature -S) NOT WITH (Optional feature -B)

- n. Only with (Built-in limit switch -S) and (Electrical Classification EAx, NFM, FAA, GAx)
- o. Not with (optional feature -N OR Z OR Z1)

ACCESSORIES, FOR ALL BASIC DEVICES

Figure 20. Accessories for all basic devices



* Unused threads for pressure gauges are closed by means of lock screw Part No. 425 024 013.

MODEL CODES ACCESSORIES

Description	Model
Accessories for intelligent Positioners	
Filter Regulators	
Filter Regulator FRS923-2SK Filter Regulator for -40°C to 80°C	FRS01
Filter Regulator Filter Regulator for -20°C to 70°C	FRS02
Filter Regulator Stainless Steel (316) Filter Regulator	FRS03
Mounting Bracket for FRS02 or FRS03	EBZG-FR1
Orientable Mounting Bracket for FRS02 or FRS03	EBZG-FR2
Nipple for direct mounting Filter regulator 1/4 NPT both sides	VG-91
Communication / Modem / DTM	
HART USB Modem (made by Ifak) with ATEX IS Certification	MOD900
DTM for SRD Series for HART / FF / Profibus	VALCARE
ATEX IS Barrier Rail Mounted Module, 1 Channel, ATEX Ex ia IIC / FM Intrinsically Safe (TV228-SEGX)	TV228
Booster Relay	
Booster Cv 1.4 - Alum Housing	VBS200
Booster Cv 1.4 - Alum Housing	VBS201
Booster Cv 1.4 - Alum Housing	VBS202
Booster Cv 1.4 - Alum Housing	VBS203
Booster Cv 1.4 - Alum Housing	VBS204
Booster Cv 7 - Alum Housing - Remote mount	VBS300
Booster Cv 7 - SST Housing - Remote mount	VBS310
Booster Relay with connection 1/4-18 NPT	LEXG-G
Booster Relay with connection G 1/4	LEXG-G1
Surge / Lightning Protection	
Surge/Lightning Protection for 4-20 mA with or without HART type TP48-N-NDI	BUSG-L1
Surge/Lightning Protection for FF/Profibus type TP32-N-NDI	BUSG-L4
Lock-in Relays	
Lock-In Relay for loss of air supply for single acting / NAMUR Mounting	LEXG-VR1
Lock-In Relay (Fail Freeze) for loss of air supply and electric power for single and double acting / SRI990 direct mounting	LEXG-VR6
Lock-In Relay for loss of air supply for single and double acting / direct mounting	LEXG-VR8
Wireless HART Module	
Wireless HART Module Type Mactek BULLET for PST Monitoring (no Ex)	BUSG-WH1
Wireless HART Module Type Mactek BULLET for PST Monitoring (Intrinsically Safe ATEX+FM)	BUSG-WH2
Cable Gland	
Cable Gland, M20x1.5 Plug-Connector for Fieldbus (ss / Threaded Connection 7/8 - UN)	BUSG-F2
Cable Gland, M20x1.5 Plastics, Color Gray / Black	BUSG-K6
Cable Gland, M20x1.5 Plastics, Color Blue	BUSG-K7
Cable Gland, M20x1.5 Plastics, Color White	BUSG-K9
Cable Gland, M20x1.5 Plug-Connector for Fieldbus (ss/Threaded Connection M12)	BUSG-P3
Cable Gland, M20x1.5 HF for Fieldbus	BUSG-P4
Cable Gland, M20x1.5 Stainless Steel	BUSG-S6

MODEL CODES ACCESSORIES (CONTINUED)

Description	Model
Accessories for intelligent Positioners	
Tube Fittings	
Tube Fittings, G 1/4 A, 6x1 mm, 1 pc	VG-01
Tube Fittings, G 1/4 A, 6x1 mm, 2 pcs	VG-02
Tube Fittings, G 1/4 A, 6x1 mm, 3 pcs	VG-03
Tube Fittings, 1/4 NPT, 6x1 mm, 2 pcs	VG-52
Tube Fittings, 1/4 NPT, 6x1 mm, 3 pcs	VG-53
Adapter	
Adapter (Brass with Nickel Coating) M20 x 1.5 to 1/2 - 14 NPT (Internal Thread)	AD-A5
Adapter (ss) M20x1.5 to 1/2-14 NPT (Internal Thread)	AD-A6
Adapter (ss) M20x1.5 to G 1/2" (Internal Thread)	AD-A8
Adapter (Plastic) M20x1.5 to PG13.5 (Internal Thread)	AD-A9

MODEL CODES ATTACHMENT KITS

Description	Model
Accessories for Positioners (SRD991, SRI990, SRD960)	
Attachment Kit	
For diaphragm actuators with casting yoke according to NAMUR (incl. standard Couple lever)	-H
For diaphragm actuators with pillar yoke according to NAMUR (incl. standard Couple lever)	-K
For directly mounting (incl. standard Couple lever)	-D
For mounting to rotary actuators according to VDI/VDE 3845 (without bracket)	-R
For FoxTop / FoxPak	-E
Brackets VDI/VDE 3845 (A = 130 mm / 5.12 in; B = 50 mm / 1.97 in)	-C3
Brackets VDI/VDE 3845 (A = 80 mm / 3.15 in; B = 30 mm / 1.18 in)	-C2
Brackets VDI/VDE 3845 (A = 80 mm / 3.15 in; B = 20 mm / 0.79 in)	-C1
For Badger Meter - Research Control Series 754 and 755 Size 1/2 inch	-B1
For Fisher	-F1
657, 667 (linear) size 30 and 40	
1051, 1052, 1061 size 40	-F2
657, 667 size 30 and 60	-F3
657, 667 size 70 and 100	-F4
1051, 1052, 1061 size 33	-F5
1051, 1052, 1061 size 60	-F6
For P-Series / such as -H with installed height 80 mm (3.15 in)	-H1
NAMUR-Attachment kit for centered mounting position on the casting yoke	-H2
For mounting on ADAR control valve	-H3
Micro flow control valve	-H4
Such as -K with installed height 80 mm (3.15 in)	-K1
For Kinetrol	
(Actuator Size 05)	-K2
(Actuator Size 07)	-K3
(Actuator Size 09)	-K4
For Metso / Neles Rotary actuators	
Type AB6 and Type BJ & BC size 8 and 10, B1C11	-L1
Type BJ and BC size 12 and 16, B1C17	-L2
For ARI-Armaturen - Direct mounting to actuator type DR	-P1
For ARCA - Direct mounting to actuator type BR 812	-P2
For Samson	
Type 3277 with 1/4 - 18 NPT	-S1
Type 3277 with G 1/4	-S2
Type 3277 with 1/4 - 18 NPT and gauges for supply and output pressure	-S5
Type 3277 with G 1/4 and gauges for supply and output pressure	-S6
Microflow Type 3277-5	-S8

MOUNTING TO LINEAR ACTUATORS

MODEL CODES ATTACHMENT KITS (CONTINUED)

Description	Model
Accessories for Positioners (SRD991, SRI990, SRD960)	
Attachment Kit	EBZG
Tuflin/XOMOX Type MX60	-T1
Type MX200	-T2
Type MX450 / Type MX750 / Type MX1250	-T3
Type MX3000	-T4
For Hagan actuators (left of pneumatic cylinder)	-X2
(right of pneumatic cylinder)	-X1
For AMRI rotary actuator (requires minor modification of actuator) (a)	-X3
For Siemens actuators V-Series	-S3
For Sereg Maxflo, Revca, Reglob new type	-S4
Maxflo "old type"	-S7
CNX (Flowserve)	-S9
For Masoneilan Type Camflex II	-M
47/48 (Sigma-F)	-M1
Type 37/38 size 15 and 18 (complete kit)	-M2
Type 87/88 all sizes	-M4
Varipac	-M5
37/38 size 9, 11, 13	-M6
/Severn Glocon Type Domotor size small	-M7
For Valtek Linear Actuator all Sizes - Stroke up to 4 inch / 102 mm	-V1
For VETEC Type R150	-V2

a. Contact Global Customer Support for further assistance.

MOUNTING TO LINEAR ACTUATORS

Attachment to stroke actuators according to IEC 6534-6 (NAMUR), left hand

Figure 21. Attachment to stroke actuators according to IEC 534-6 (NAMUR), Left Hand

