

vane actuators

- Single moving part**
Simplest and most reliable mechanism for quarter-turn rotary actuation.

Direct mounting control modules
Fail-safe spring returns, limit switches, positioners, solenoid valves, all just bolt on direct.

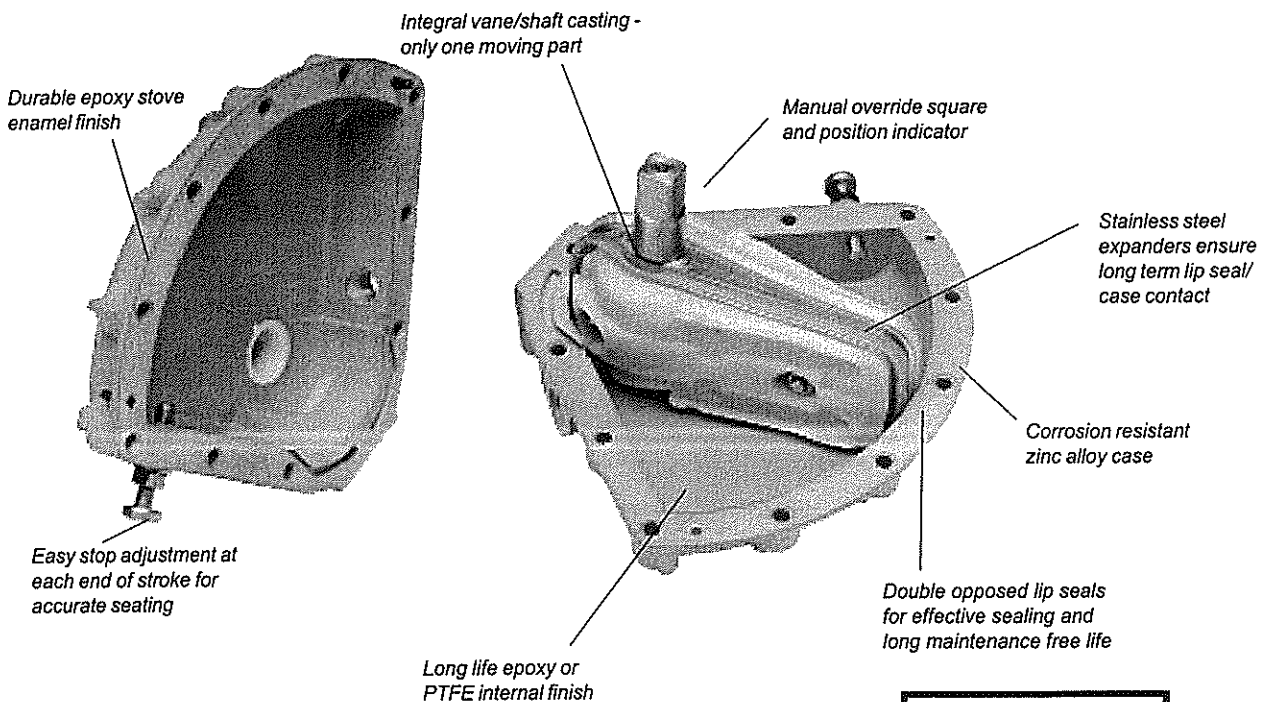
No cranks or gearing
No power loss or backlash - allows accurate positioning.

Durable corrosion resistant finish
- Long maintenance-free life**
Up to 4 million operations guaranteed.

Compact - space saving - efficient
Best torque/size package available, fast operating speeds, best air consumption, proven design.

Hundreds of thousands of units
in trouble free service all over the world

Choice of male or female output drive square - easy to interface to application



Kinetrol's rigorous quality programme, approved to ISO 9002, ensures that each unit is manufactured to high standards. Every actuator is tested before leaving the factory.



Certificate No. FM22163

applications

Operation or positioning of ball, butterfly and plug valves, ventilation dampers and automatic doors. Uses also include movement and positioning of components during manufacture - in fact anything that needs to be rotated through 90° or less, automatically or by remote control.

FOR CONTENTS GUIDE SEE PAGE 42
FOR ORDERING CODES SEE PAGE 32