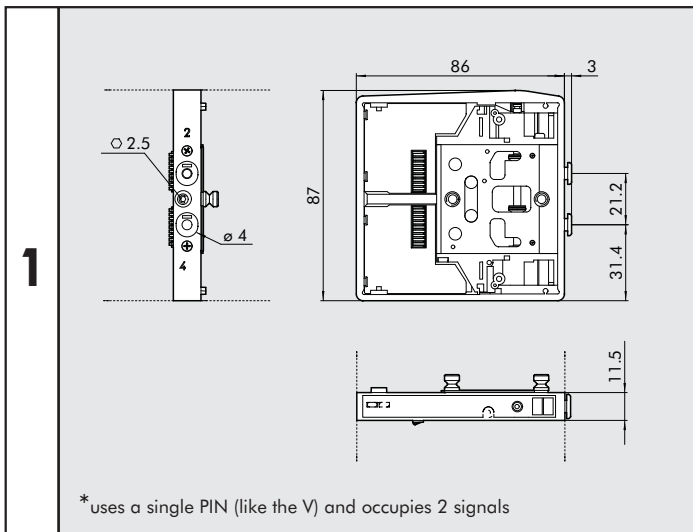
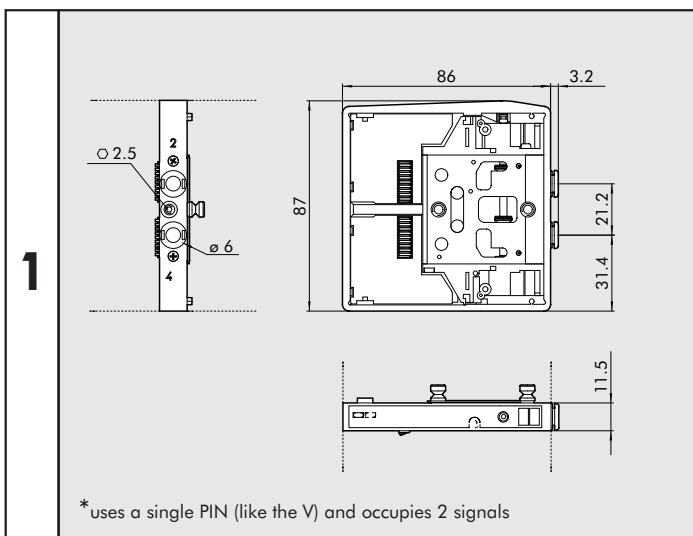


VALVE DIMENSIONS HDM Ø 4



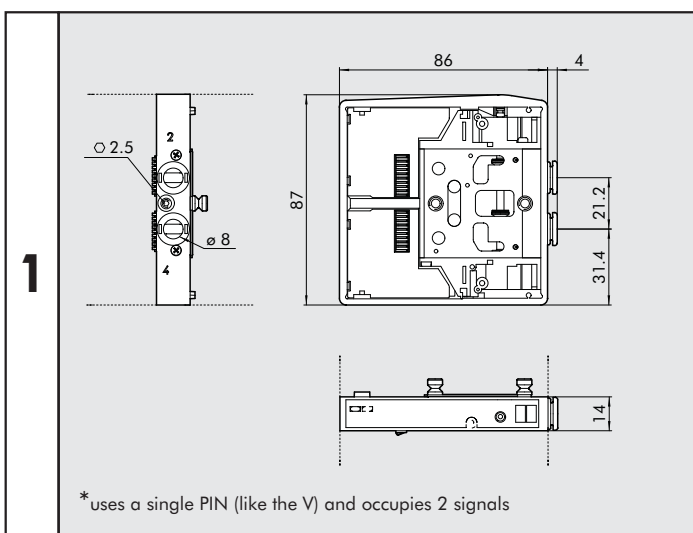
	Symbol	Manual Control	Code	Weight [g]
I4 _{HDM}		monostable	7071030530	130
		bistable	7071030531	
W4 _{HDM}		monostable	7071030630	130
		bistable	7071030631	
L4 _{HDM}		monostable	7071030730	130
		bistable	7071030731	
V4 _{HDM}		monostable	7071030130	115
		bistable	7071030131	
*F4 _{HDM}		monostable	7071030132	115
		bistable	7071030133	
K4 _{HDM}		monostable	7071030110	130
		bistable	7071030111	
O4 _{HDM}		monostable	7071030210	130
		bistable	7071030211	

VALVE DIMENSIONS HDM Ø 6



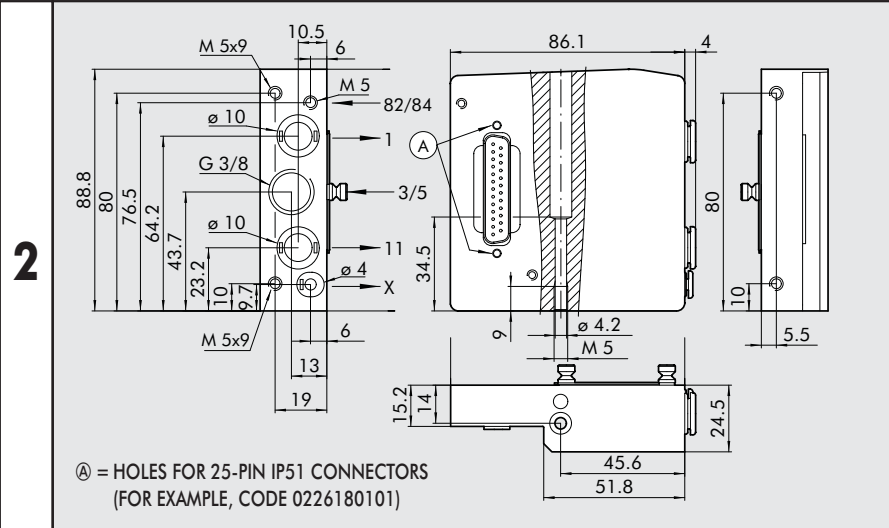
	Symbol	Manual Control	Code	Weight [g]
I6 _{HDM}		monostable	7072030530	130
		bistable	7072030531	
W6 _{HDM}		monostable	7072030630	130
		bistable	7072030631	
L6 _{HDM}		monostable	7072030730	130
		bistable	7072030731	
V6 _{HDM}		monostable	7072030130	115
		bistable	7072030131	
*F6 _{HDM}		monostable	7072030132	115
		bistable	7072030133	
K6 _{HDM}		monostable	7072030110	130
		bistable	7072030111	
O6 _{HDM}		monostable	7072030210	130
		bistable	7072030211	

VALVE DIMENSIONS HDM Ø 8



	Symbol	Manual Control	Code	Weight [g]
I8 _{HDM}		monostable	7073030530	140
		bistable	7073030531	
W8 _{HDM}		monostable	7073030630	140
		bistable	7073030631	
L8 _{HDM}		monostable	7073030730	140
		bistable	7073030731	
V8 _{HDM}		monostable	7073030130	130
		bistable	7073030131	
*F8 _{HDM}		monostable	7073030132	130
		bistable	7073030133	
K8 _{HDM}		monostable	7073030110	140
		bistable	7073030111	
O8 _{HDM}		monostable	7073030210	140
		bistable	7073030211	

END-PLATE 1-11-25D

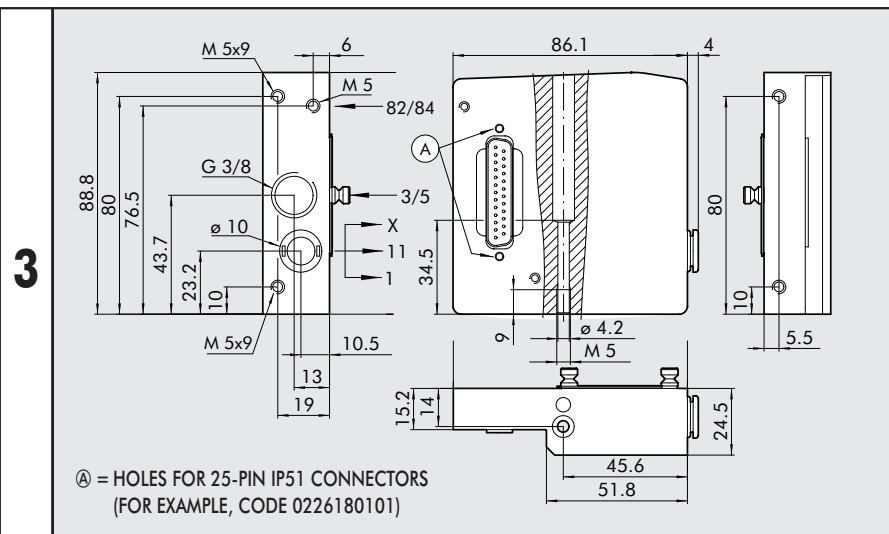


Code	Description	Weight [g]
0227301200	END-PLATE HDM KIT 1-11-25D	370

This end-plate allows for supplies to be differentiated

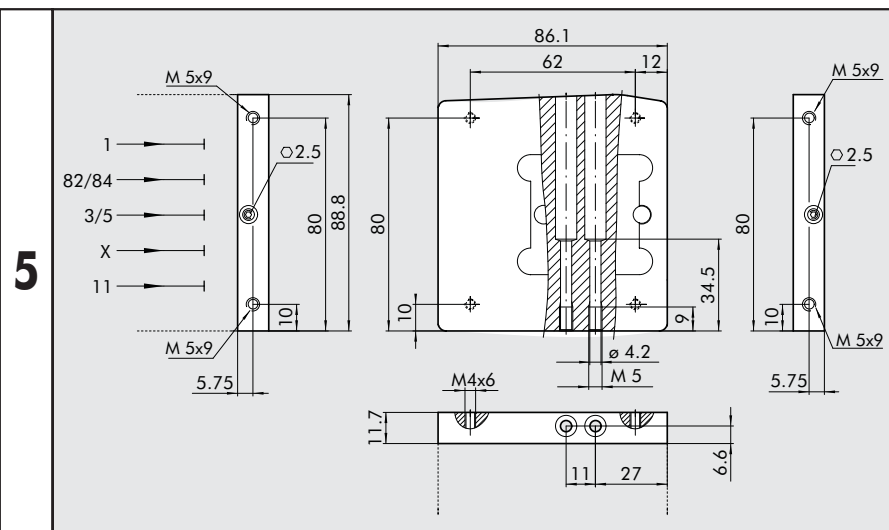
- port 2
- port 4
- pilot supply

END-PLATE 1-25D



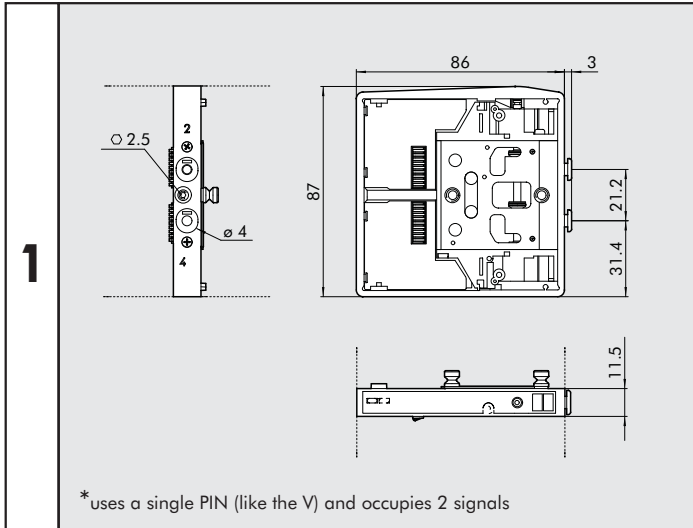
Code	Description	Weight [g]
0227301201	END-PLATE HDM KIT 1-25D	370

BLIND END-PLATE



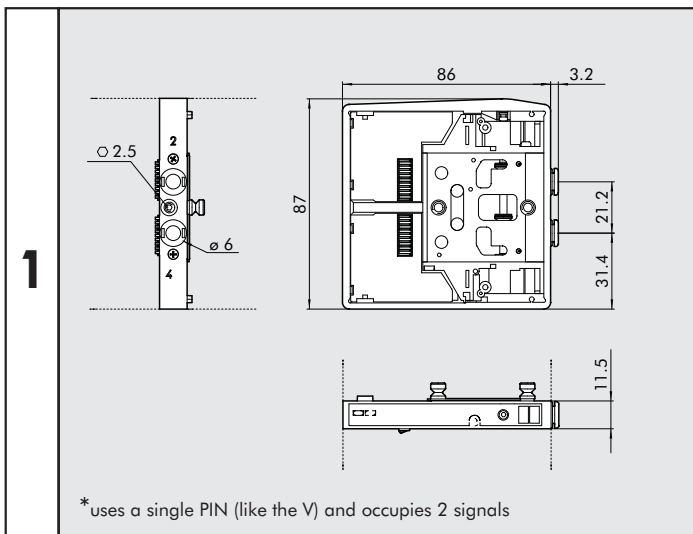
Code	Description	Weight [g]
0227301500	BLIND END-PLATE HDM	230

VALVE DIMENSIONS HDM Ø 4



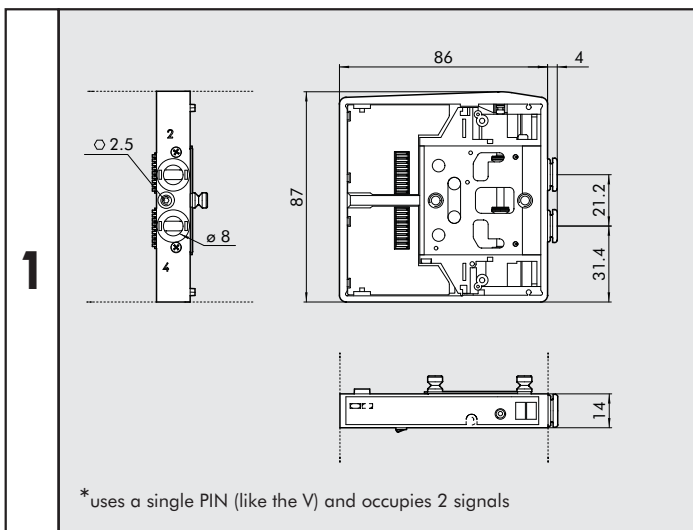
Symbol	Manual Control	Code	Weight [g]
I4 _{HDM}	monostable	7071030530	130
	bistable	7071030531	
W4 _{HDM}	monostable	7071030630	130
	bistable	7071030631	
L4 _{HDM}	monostable	7071030730	130
	bistable	7071030731	
V4 _{HDM}	monostable	7071030130	115
	bistable	7071030131	
*F4 _{HDM}	monostable	7071030132	115
	bistable	7071030133	
K4 _{HDM}	monostable	7071030110	130
	bistable	7071030111	
O4 _{HDM}	monostable	7071030210	130
	bistable	7071030211	

VALVE DIMENSIONS HDM Ø 6

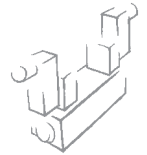


Symbol	Manual Control	Code	Weight [g]
I6 _{HDM}	monostable	7072030530	130
	bistable	7072030531	
W6 _{HDM}	monostable	7072030630	130
	bistable	7072030631	
L6 _{HDM}	monostable	7072030730	130
	bistable	7072030731	
V6 _{HDM}	monostable	7072030130	115
	bistable	7072030131	
*F6 _{HDM}	monostable	7072030132	115
	bistable	7072030133	
K6 _{HDM}	monostable	7072030110	130
	bistable	7072030111	
O6 _{HDM}	monostable	7072030210	130
	bistable	7072030211	

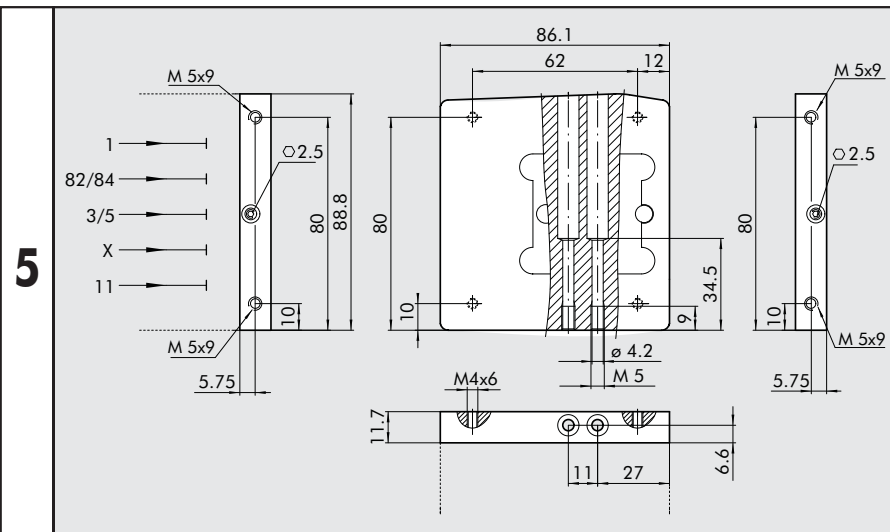
VALVE DIMENSIONS HDM Ø 8



Symbol	Manual Control	Code	Weight [g]
I8 _{HDM}	monostable	7073030530	140
	bistable	7073030531	
W8 _{HDM}	monostable	7073030630	140
	bistable	7073030631	
L8 _{HDM}	monostable	7073030730	140
	bistable	7073030731	
V8 _{HDM}	monostable	7073030130	130
	bistable	7073030131	
*F8 _{HDM}	monostable	7073030132	130
	bistable	7073030133	
K8 _{HDM}	monostable	7073030110	140
	bistable	7073030111	
O8 _{HDM}	monostable	7073030210	140
	bistable	7073030211	

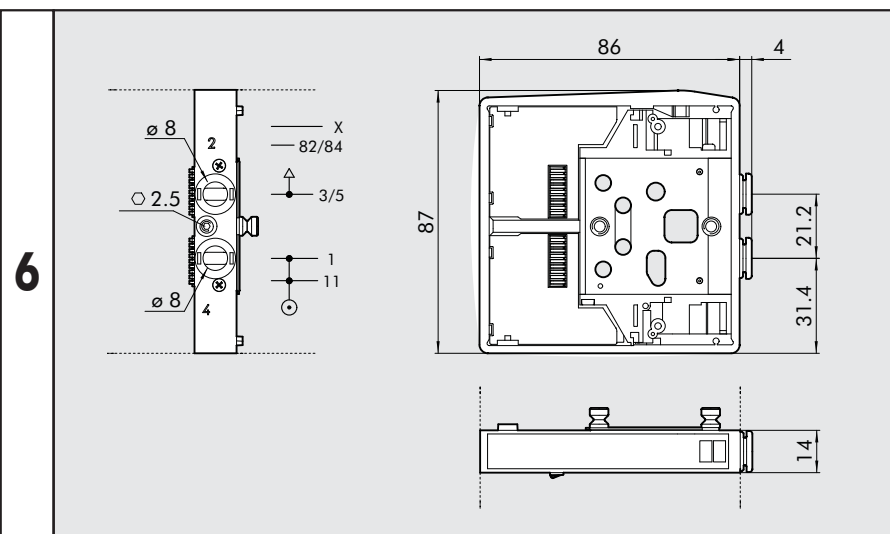


BLIND END-PLATE



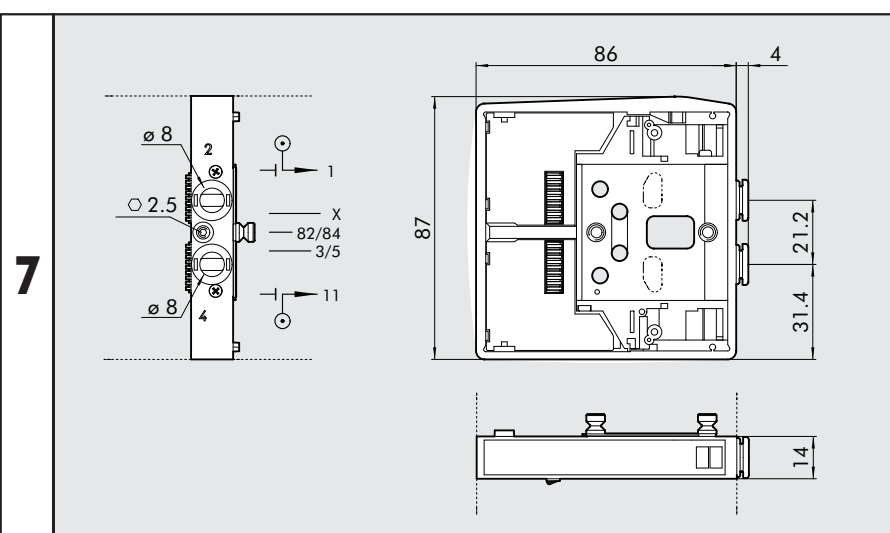
Code	Description	Weight [g]
0227301500	BLIND END-PLATE HDM	230

INTERMEDIATE THROUGH



Code	Description	Weight [g]
0227301301	INTERMEDIATE THROUGH HDM	120

INTERMEDIATE BLIND



Code	Description	Weight [g]
0227301302	INTERMEDIATE BLIND HDM	117