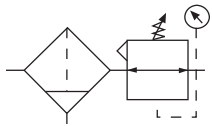


Filter / Regulator B08

= "Most Popular"



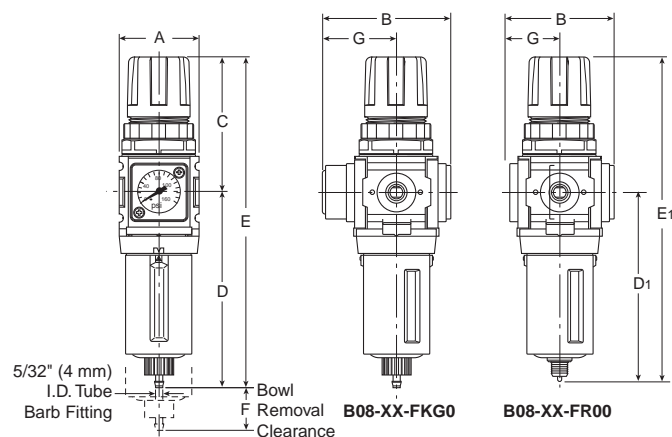
B08-01-FKG0 B08-01-FK00

Features

- Space-Saving Integral Filter / Regulator Design
- Unique Flush-mounted Pressure Gauge Available
- Balanced Valve Design
- Modern Design and Appearance
- Light Weight
- High Flow Capacities
- Quick-Disconnect Bowl / Bowl Guard

! WARNING

**Product rupture can cause serious injury.
Do not connect regulator to bottled gas.
Do not exceed maximum primary pressure rating.**



NOTES: Flush mounted gauge kits will not fit units originally purchased with threaded gauge ports.
1.25" Dia. (31.7 mm) hole required for panel nut mounting.

Dimensions

Models	Inches (mm)	A	B	C	D	D ₁	E	E ₁	F	G
Standard Unit B08-XX-FK00		1.58 (40)	1.70 (43)	2.60 (66)	3.86 (98)	—	6.46 (164)	—	1.31 (33)	.85 (21.6)
Automatic Piston Drain B08-XX-FR00		1.58 (40.0)	2.53 (64.3)	2.60 (66.0)	—	3.64 (93)	—	6.24 (159)	1.31 (33)	1.45 (36.8)

Specifications

Flow Capacity*	1/8	28 SCFM (13.2 dm ³ /s)
	1/4	42 SCFM (19.8 dm ³ /s)
Adjusting Range Pressure		0 to 30 PSIG (0 to 2.1 bar)
		0 to 60 PSIG (0 to 4.1 bar)
		0 to 125 PSIG (0 to 8.6 bar)
Gauge Ports (2)**	NPT	1/8
Maximum Supply Pressure	Plastic Bowl	150 PSIG (10.3 bar)
	Metal Bowl	250 PSIG (17.2 bar)
Operating Temperature†	Plastic Bowl	14° to 125°F (-10° to 52°C)
	Metal Bowl	14° to 150°F (-10° to 65.5°C)
Port Size	NPT / BSPP-G	1/8, 1/4
Bowl Capacity		0.4 oz
Standard Filtration		5 Micron
Weight		.75 lb. (0.34 kg)

* Inlet pressure 100 PSIG (6.9 bar). Secondary pressure 90 PSIG (6.2 bar).

** Non gauge option only.

† Units with square gauges: -15°C to 65.5°C (5°F to 150°F)

"F" Series Filters, Type "A" 5 micron elements: All Wilkerson Type "A" 5 micron elements **meet or exceed ISO Class 3** for maximum particle size and concentration of solid contaminants.

Materials of Construction

Adjustment Knob		Acetal
Body		Zinc
Body Cap		ABS
Bonnet		PBT
Bowl	Plastic Bowl	Polycarbonate
	Metal Bowl	Zinc
Bowl Guard		Nylon
Diaphragm Assembly		Brass / Nitrile
Filter Element		Polyethylene
Panel Nut		Acetal
Seals	Plastic Bowl	Nitrile
	Metal Bowl	Nitrile
Springs		Steel
Valve Assembly		Brass / Nitrile

CAUTION:

REGULATOR PRESSURE ADJUSTMENT – The working range of knob adjustment is designed to permit outlet pressures within their full range. Pressure adjustment beyond this range is also possible because the knob is not a limiting device. This is a common characteristic of most industrial regulators, and limiting devices may be obtained only by special design.

For best performance, regulated pressure should always be set by increasing the pressure up to the desired setting.

= "Most Popular"

Replacement Bowl Kits

- Metal Bowl, Manual Drain.....GRP-96-714
- Plastic Bowl / Bowl Guard, Manual Drain.....GRP-96-712

Replacement Element Kit

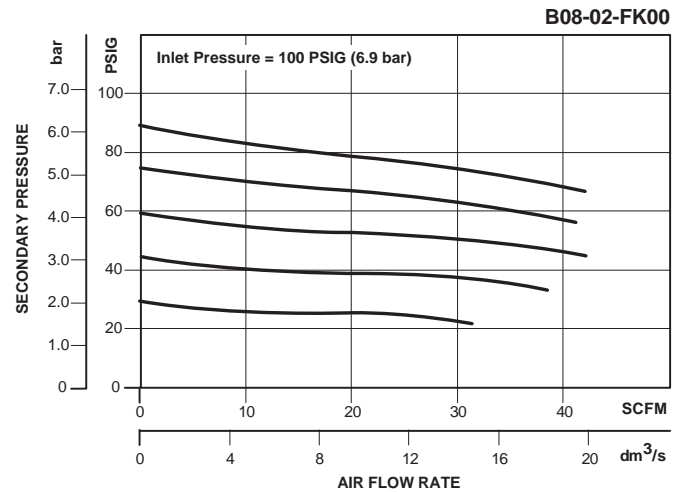
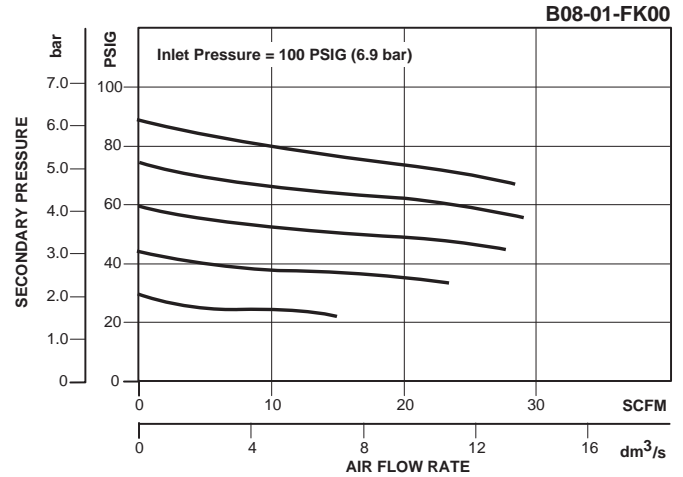
- Type "A", 5 Micron FRP-96-729

Replacement Kits

- Adjusting Knob..... RRP-16-005-000
- Diaphragm Assembly –
 - Non-relieving GRP-96-726
 - Relieving..... GRP-96-725
- Spring, Regulating–
 - 0 to 30 PSIG (0 to 2.0 bar)..... GRP-95-111
 - 0 to 60 PSIG (0 to 4.1 bar)..... GRP-96-718
 - 0 to 125 PSIG (0 to 8.5 bar)..... GRP-96-717
- Valve Assembly.....RRP-96-727

Accessories

- Automatic Piston Drain GRP-96-716
- Gauge Adapter Block, 1/4" NPT, GPA-97-037
(Replaces Flush Mount Gauge)
- Panel Mount Nut –
 - Aluminum..... RPA-96-733
 - Plastic RPA-96-734
- Gauge, Pressure Flush Mounted –
 - 0 to 60 PSIG K4511SCR060
 - 0 to 150 PSIG K4511SCR150
 - 0 to 11 bar.....K4511SCR11B
 - 0 to 60 PSIG (0 to 4.1 bar),
1-1/2" Dial Face, 1/8 NPT, CBM..... K4515N18060
 - 0 to 160 PSIG (0 to 11.0 bar),
1-1/2" Dial Face, 1/8 NPT, CBM.....K4515N18160
- Tamper Resistant Kit..... RPA-96-735
- Wall Mounting Bracket -
 - C-Type GPA-97-010
 - L-Type GRP-96-739



Ordering Information

Model Type	Port Size	Plastic Bowl / Bowl Guard / Manual Drain / Without Gauge 0 to 30 PSIG (0 to 0.2 bar)	Plastic Bowl / Bowl Guard / Manual Drain / Without Gauge 0 to 125 PSIG (0 to 8.6 bar)	Plastic Bowl / Bowl Guard / Manual Drain / With Gauge 0 to 20 PSIG (0 to 2.0 bar)	Plastic Bowl / Bowl Guard / Manual Drain / With Gauge 0 to 125 PSIG (0 to 8.6 bar)	Plastic Bowl / Bowl Guard / Manual Drain / Low Pressure / Without Gauge 0 to 60 PSIG (0 to 4.1 bar)	Plastic Bowl / Bowl Guard / Automatic Piston / With Gauge 0 to 125 PSIG (0 to 8.6 bar)
Relieving	1/8	B08-01-CK00	B08-01-FK00	B08-01-CKG0	B08-01-FKG0	B08-01-DK00	B08-01-FRG0
	1/4	B08-02-CK00	B08-02-FK00	B08-02-CKG0	B08-02-FKG0	B08-02-DK00	B08-02-FRG0
Non-relieving	1/8	B08-01-PK00	B08-01-RK00	B08-01-PKG0	B08-01-RKG0	B08-01-WK00	B08-01-RRG0
	1/4	B08-02-PK00	B08-02-RK00	B08-02-PKG0	B08-02-RKG0	B08-02-WK00	B08-02-RRG0

Options - To order an option supplied with the unit model, add the appropriate coded suffix letter in the designated position of the model number.