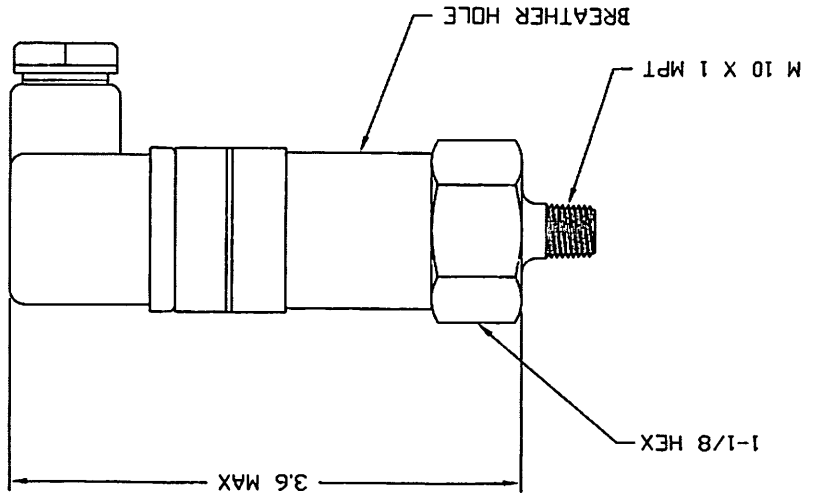
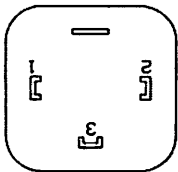


DRAWING NUMBER MM-56C-22F/HRVTAU193		TITLE PRESSURE SWITCH MODEL / MM	
CHANGE ON CAD ONLY		1104A30	
APPROVED BY J.D.C.	SCALE 1:1	REFERENCE AREA ROSS CONTROLS	
DRAWN BY J.D.C.	DATE 9/2/10	CUSTOMER ROSS CONTROLS	
P.O. BOX 505 WEST UNION, SC 29696 Pk (864)638-9581 Fax (864)638-7903 NASON			

BASE - BRASS (UNI-BODY DESIGN FOR STRENGTH)
 DIAPHRAGM MATERIAL - VITON
 MATERIALS:
 MAX OPERATING PRESSURE: 600 PSI
 FALLING PRESSURE.
 OPERATION: CIRCUIT TO TRANSFER AT 22 ±1 PSI
 LOW CURRENT.
 RATING: ENVIRONMENTALLY SEALED GOLD CONTACTS FOR
 TERMINATION: DIN CONNECTOR 43650-A WITH PLUG.
 CIRCUIT: SPDT - (SINGLE POLE DOUBLE THROW)



TOP VIEW OF MALE DIN CONNECTOR
 PIN CONFIGURATION
 1 = COMMON
 2 = NC
 3 = NO



ENGINEERING FILE COPY
 DO NOT REMOVE

REV	DATE	DESCRIPTION	BY

DRAWING NUMBER
 MM-56C-22F/HRVTAU193