

G3G125-AA20-10

EC centrifugal module

backward curved, single inlet
with housing

ebm-papst Mulfingen GmbH & Co. KG

Bachmühle 2 · D-74673 Mulfingen

Phone +49 7938 81-0

Fax +49 7938 81-110

info1@de.ebmpapst.com

www.ebmpapst.com

Limited partnership · Headquarters Mulfingen

County court Stuttgart · HRA 590344

General partner Elektrobau Mulfingen GmbH · Headquarters Mulfingen

County court Stuttgart · HRB 590142

Nominal data

Type	G3G125-AA20-10	
Motor	M3G074-BF	
Phase		1~
Nominal voltage	VAC	230
Nominal voltage range	VAC	208 .. 250
Frequency	Hz	50/60
Type of data definition		me
Speed	min ⁻¹	13000
Power input	W	600
Current draw	A	2.6
Min. ambient temperature	°C	-25
Max. ambient temperature	°C	50

ml = Max. load · me = Max. efficiency · fa = Running at free air · cs = Customer specs · cu = Customer unit
Subject to alterations



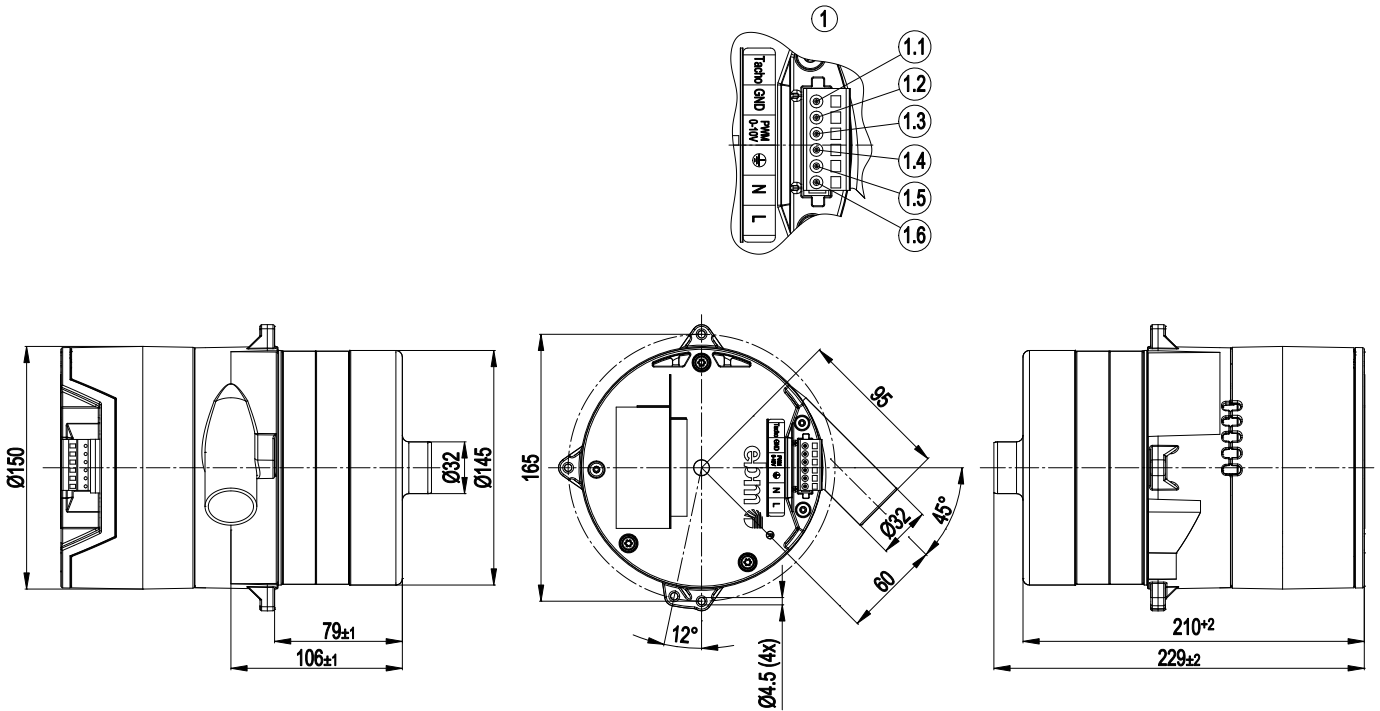
Technical features

Mass	4.0 kg
Size	125 mm
Surface of rotor	Coated in black
Material of impeller	Aluminium sheet
Number of blades	6
Direction of rotation	Clockwise, seen on rotor
Type of protection	IP 20
Insulation class	"B"
Max. permissible ambient motor temp. (transp./ storage)	+ 80 °C
Min. permissible ambient motor temp. (transp./storage)	- 40 °C
Mounting position	Any
Condensate discharge holes	None
Operation mode	S1
Motor bearing	Ball bearing
Technical features	<ul style="list-style-type: none"> - Tach output - Motor current limit - PFC, active - Soft start - Control input 0-10 VDC / PWM - Over-temperature protected electronics / motor
EMC interference immunity	Acc. to EN 61000-6-2
EMC harmonics	Acc. to EN 61000-3-2/3
EMC interference emission	Acc. to EN 61000-6-4 (industrial environment)
Touch current acc. IEC 60990 (measuring network Fig. 4, TN system)	<= 3.5 mA
Electrical leads	With plug
Motor protection	Locked-rotor protection
Product conforming to standard	EN 61800-5-1; CE
Approval	UL 507; CSA C22.2 Nr.113; VDE

EC centrifugal module

backward curved, single inlet
with housing

Product drawing



1	Connector housing WAGO 231-106
1.1	Tach
1.2	GND
1.3	PWM, 0-10 V
1.4	PE
1.5	N
1.6	L



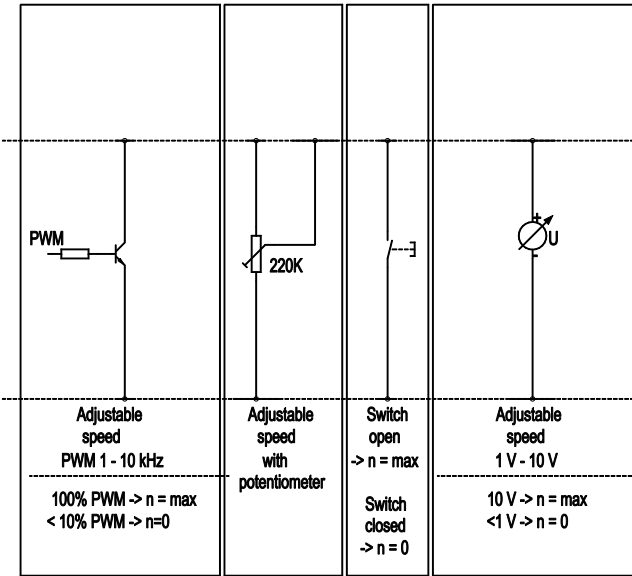
EC centrifugal module

backward curved, single inlet
with housing

Connection screen

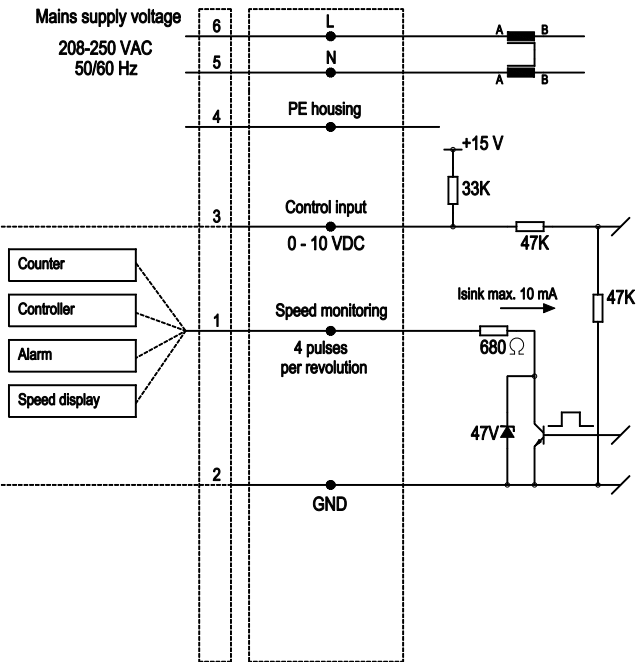
Customer circuit

Notes on various control possibilities and their applications

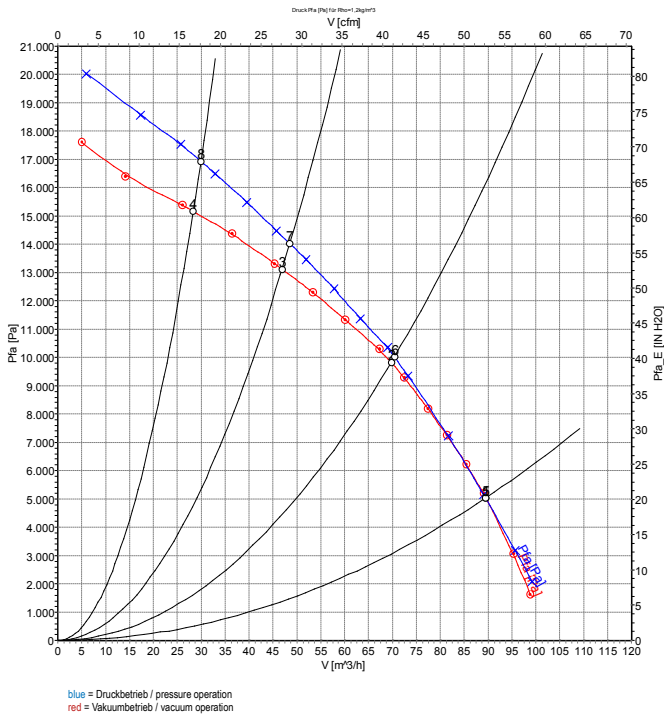


Connection

Fan / motor



Charts: Air flow 50 Hz



Air performance measured as per ISO 5801 Installation category A. For detailed information on the measuring set-up, please contact ebm-papst. Suction-side noise levels: LwA measured as per ISO 13347 / LpA measured with 1m distance to fan axis. The values given are valid under the measuring conditions mentioned above and may vary according to the actual installation situation. With any deviation from the standard set-up, the specific values have to be checked and reviewed with the unit installed.

Measured values

	Stage	U	f	n	P _{ed}	I	qv	p _{fs}
		V	Hz	min ⁻¹	W	A	m ³ /h	Pa
1	vo	230	50	13130	568	2.47	90	5061
2	vo	230	50	13090	566	2.46	70	9819
3	vo	230	50	13420	529	2.30	45	13120
4	vo	230	50	13880	471	2.05	30	15170
5	po	230	50	13000	575	2.50	90	5047
6	po	230	50	13000	600	2.60	70	10020
7	po	230	50	13090	568	2.47	50	14020
8	po	230	50	13520	512	2.23	30	16930

U = Supply voltage · f = Frequency · n = Speed · P_{ed} = Power input · I = Current draw · qv = Air flow · p_{fs} = Pressure increase