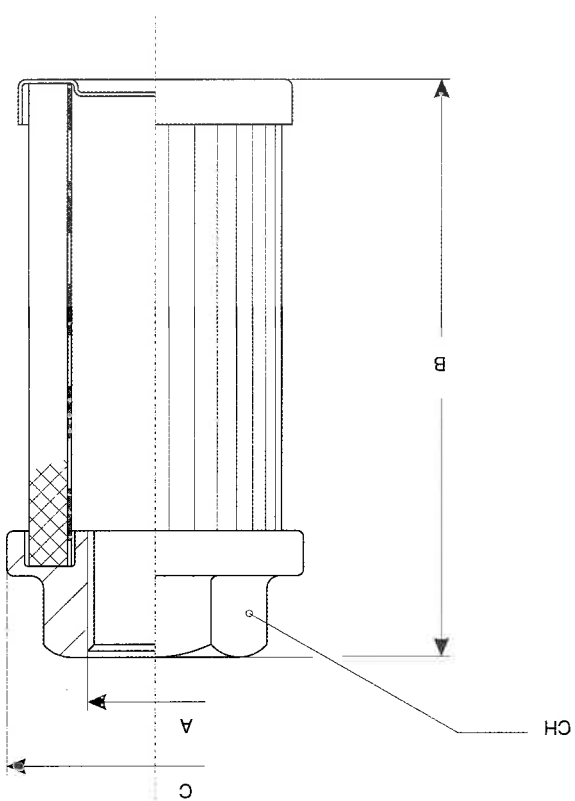
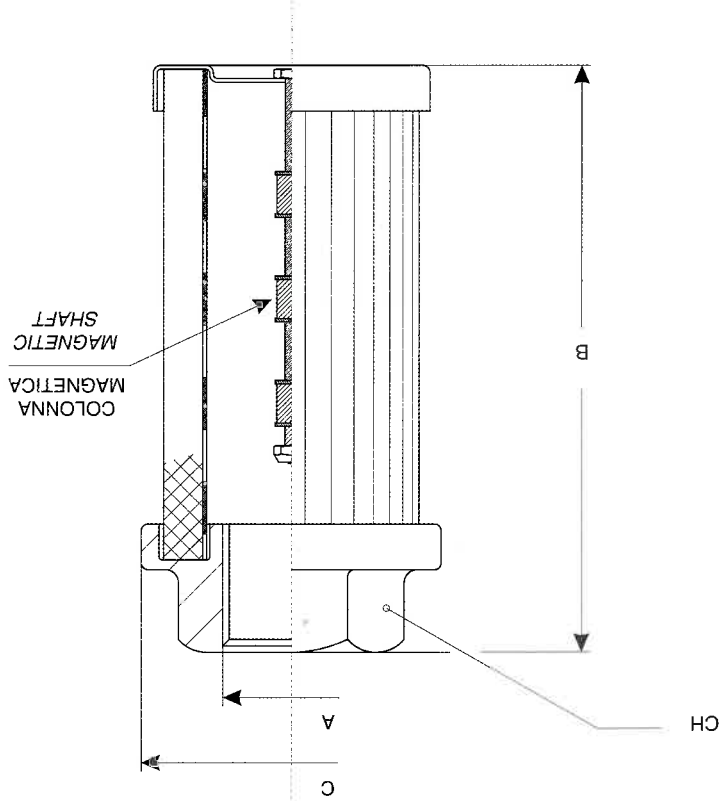


150C-300	760	3"	272	150	100
150B-212	660	2 1/2"	211	150	90
150A-200	340	2"	151	150	70
150A-112	200	1 1/2"	151	150	70
86D-200	340	2"	331	86	70
86C-200	340	2"	260	86	70
86C-112	200	1 1/2"	260	86	60
86B-112	200	1 1/2"	200	86	60
86A-112	200	1 1/2"	139	86	60
86A-114	140	1 1/4"	139	86	60
86A-100	100	1"	139	86	60
64B-100	100	1"	139	64	46
64B-34	56	3/4"	139	64	36
64A-12	22	1/2"	109	64	36
64A-34	56	3/4"	109	64	36
46B-12	22	1/2"	105	46	30
46A-38	16	3/8"	90	46	30
46A-14	10	1/4"	90	46	30
Type	Port. L/min	A - Thread size "A"	B	C	CH
Delivery	BSP	NPT			



SF - SP



SFM - SPM