

Magnetic float switch, model FLS

EN

Schwimmer-Magnetschalter, Typ FLS

DE



Stainless steel version
mounting thread

Plastic version
flange connection

EN **Operating instructions model FLS** **Page** **3 - 22**

DE **Betriebsanleitung Typ FLS** **Seite** **23 - 42**

© 06/2016 WIKA Alexander Wiegand SE & Co. KG

All rights reserved. / Alle Rechte vorbehalten.

WIKA® and KSR® are registered trademarks in various countries.

WIKA® and KSR® sind geschützte Marken in verschiedenen Ländern.

Prior to starting any work, read the operating instructions!

Keep for later use!

Vor Beginn aller Arbeiten Betriebsanleitung lesen!

Zum späteren Gebrauch aufbewahren!

Contents

1. General information	4
2. Design and function	5
3. Safety	6
4. Transport, packaging and storage	11
5. Commissioning, operation	11
6. Faults	18
7. Maintenance and cleaning	19
8. Dismounting, return and disposal	21
9. Specifications	22

Declarations of conformity can be found online at www.wika.com.

1. General information

1. General information

EN

- The magnetic float switches described in the operating instructions have been designed and manufactured using state-of-the-art technology. All components are subject to stringent quality and environmental criteria during production. Our management systems are certified to ISO 9001.
- These operating instructions contain important information on handling the instrument. Working safely requires that all safety instructions and work instructions are observed.
- Observe the relevant local accident prevention regulations and general safety regulations for the instrument's range of use.
- The operating instructions are part of the product and must be kept in the immediate vicinity of the instrument and readily accessible to skilled personnel at any time. Pass the operating instructions on to the next operator or owner of the instrument.
- Skilled personnel must have carefully read and understood the operating instructions prior to beginning any work.
- The general terms and conditions contained in the sales documentation shall apply.
- Subject to technical modifications.
- Further information:
 - Internet address: www.wika.de / www.wika.com
 - Relevant data sheet: LM 30.01

Abbreviations, definitions

L-SP	Level switch point
T-SP	Temperature switch point
NO/NC	Normally open/normally closed
CO	Change-over

2. Design and function

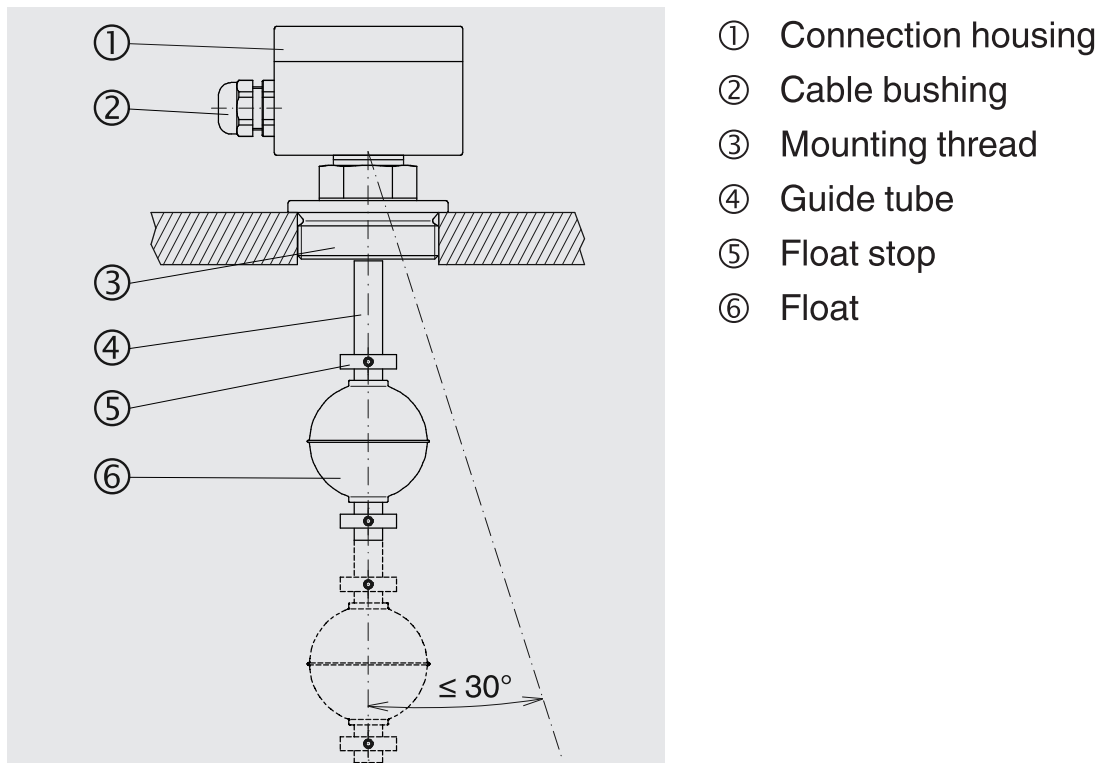
2. Design and function

EN

2.1 Functional description

Magnetic float switches work on the float principle with magnetic transmission. A reed contact integrated in the guide tube ④ is actuated through the magnetic field of a permanent magnet, when a preset switch point is reached. The permanent magnet is located within a float ⑥, which changes its height with the level of the medium it is monitoring. The switching status of the reed contact can be evaluated and processed by a connected control device.

The number and arrangement of floats is dependent on the number of the defined switch points, their contact function and also the distance between the switch points.



2.2 Scope of delivery

Cross-check scope of delivery with delivery note.

3. Safety

3. Safety

3.1 Explanation of symbols

EN



DANGER!

... indicates a directly dangerous situation resulting in serious injury or death, if not avoided.



WARNING!

... indicates a potentially dangerous situation that can result in serious injury or death, if not avoided.



CAUTION!

... indicates a potentially dangerous situation that can result in light injuries or damage to property or the environment, if not avoided.



Information

... points out useful tips, recommendations and information for efficient and trouble-free operation.

3.2 Intended use

Magnetic float switches are used exclusively for monitoring the levels of liquid media. The scope of application is defined by the technical performance limits and materials.

- The liquids must not have any large contamination or coarse particulates and must not have a tendency to crystallise. Ensure that the wetted materials of the magnetic float switch are sufficiently resistant to the medium being monitored. Not suitable for dispersions, abrasive liquids, highly viscous media and colours.
- This instrument is not permitted to be used in hazardous areas! Excluded are magnetic float switches which are marked as simple electrical equipment per EN 60079-11 section 5.7.

3. Safety

EN

- The operating conditions specified in the operating instructions must be observed.
- Do not operate the instrument in the direct vicinity of ferromagnetic environments (min. distance 50 mm).
- Do not operate the instrument in the immediate vicinity of strong electromagnetic fields or in the immediate vicinity of equipment that can be affected by magnetic fields (min. clearance 1 m).
- The magnetic float switches must not be exposed to heavy mechanical strain (impact, bending, vibration).
- The technical specifications contained in these operating instructions must be observed. Improper handling or operation of the instrument outside of its technical specifications requires the instrument to be taken out of service immediately and inspected by an authorised WIKA service engineer.

The instrument has been designed and built solely for the intended use described here, and may only be used accordingly.

The manufacturer shall not be liable for claims of any type based on operation contrary to the intended use.



DANGER!

Work on vessels involves the danger of intoxication and suffocation. No work is allowed to be carried out unless by taking suitable personal protective measures (e.g. respiratory protection apparatus, protective outfit etc.).

3. Safety

3.3 Improper use

Improper use is defined as any application that exceeds the technical performance limits or is not compatible with the materials.

EN



WARNING!

Injuries through improper use

Improper use of the instrument can lead to hazardous situations and injuries.

- ▶ Refrain from unauthorised modifications to the instrument.
- ▶ Do not use the instrument within hazardous areas.

Any use beyond or different to the intended use is considered as improper use.

Do not use this instrument in safety or emergency stop devices.

3.4 Responsibility of the operator

The instrument is used in the industrial sector. The operator is therefore responsible for legal obligations regarding safety at work.

The safety instructions within these operating instructions, as well as the safety, accident prevention and environmental protection regulations for the application area must be maintained.

To ensure safe working on the instrument, the operating company must ensure the following:

- The operating personnel are regularly instructed in all topics regarding work safety, first aid and environmental protection and know the operating instructions and in particular, the safety instructions contained therein.
- The operating personnel have read the operating instructions and taken note of the safety instructions contained therein.
- The intended use for the application is complied with.
- Following testing, improper use of the instrument is excluded.

3.5 Personnel qualification



WARNING!

Risk of injury should qualification be insufficient

Improper handling can result in considerable injury and damage to equipment.

- ▶ The activities described in these operating instructions may only be carried out by skilled personnel who have the qualifications described below.

Skilled personnel

Skilled personnel, authorised by the operator, are understood to be personnel who, based on their technical training, knowledge of measurement and control technology and on their experience and knowledge of country-specific regulations, current standards and directives, are capable of carrying out the work described and independently recognising potential hazards.

3.6 Personal protective equipment

The personal protective equipment is designed to protect the skilled personnel from hazards that could impair their safety or health during work. When carrying out the various tasks on and with the instrument, the skilled personnel must wear personal protective equipment.

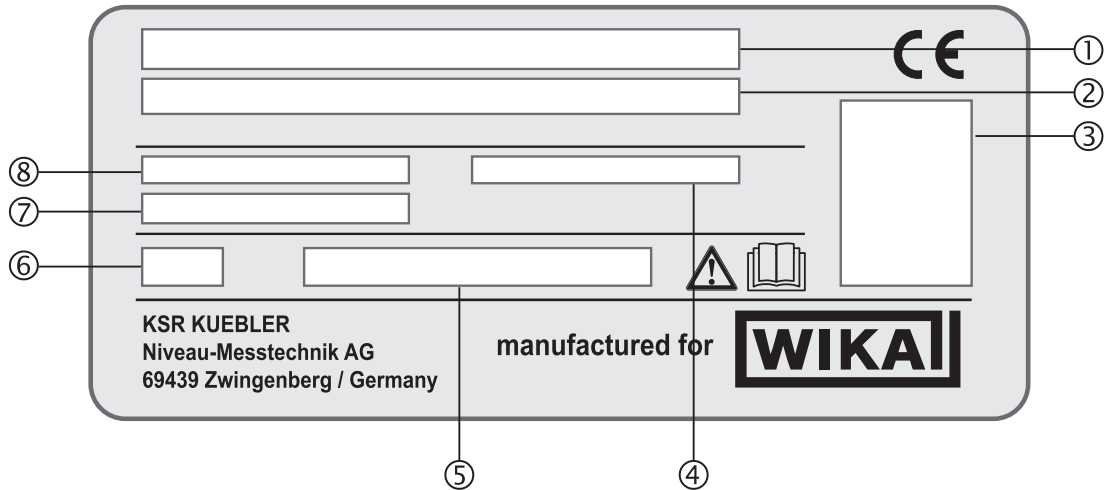
Follow the instructions displayed in the work area regarding personal protective equipment!

The requisite personal protective equipment must be provided by the operating company.

3. Safety

3.7 Labelling, safety marks

Product label (examples)



- ① Model, designation
- ② Instrument code
- ③ L1 ... Ln: Switch point specification in mm
- ④ Article number
- ⑤ Switching power
- ⑥ Ingress protection per IEC/EN 60529
- ⑦ Measuring point number
- ⑧ Serial number



Before mounting and commissioning the instrument, ensure you read the operating instructions!

4. Transport ... / 5. Commissioning, operation

4. Transport, packaging and storage

4.1 Transport

Check the magnetic float switch for any damage that may have been caused by transport. Obvious damage must be reported immediately.

EN



CAUTION!

With improper transport, a high level of damage to property can occur.

- ▶ Observe the symbols on the packaging
- ▶ Handle packed goods with care

4.2 Packaging and storage

Do not remove packaging until just before commissioning.

5. Commissioning, operation

- Observe all instructions given on the shipment packaging for removing the transportation safety devices.
- Remove the magnetic float switch carefully from the packaging!
- When unpacking, check all components for any external damage.

5.1 Mounting preparation



Functional check

Before mounting, the float switch can be connected as described in chapter 5.3 and the switch points can be operated manually.



WARNING!

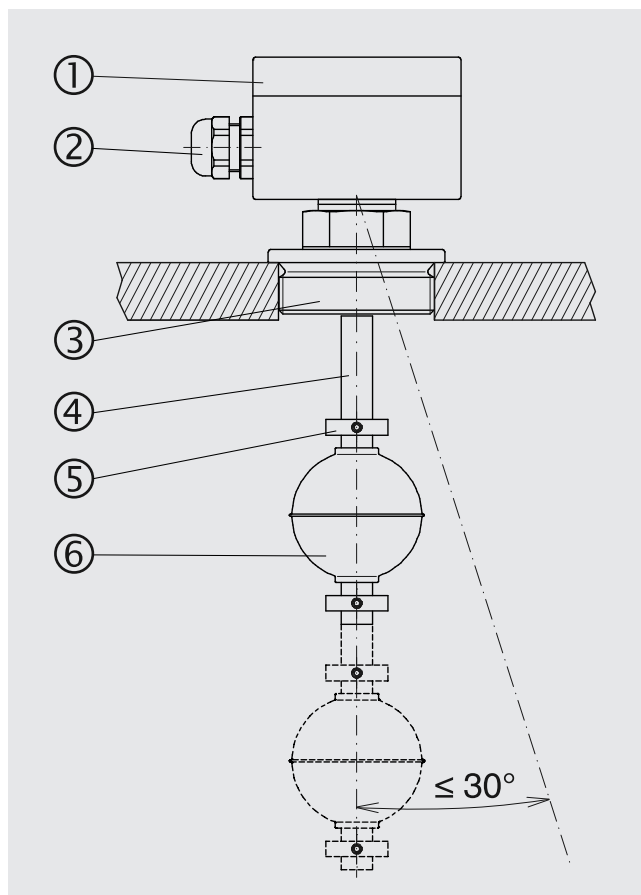
Ensure that the functional check does not start any unintended processes.

Ensure that the sealing faces of the vessel or magnetic float switch are clean and do not show any mechanical damage.

5. Commissioning, operation

5.2 Mounting

- Observe the torque values of screws specified in pipefitting work.
- In the selection of the mounting material (sealings, screws, washers and nuts), take the process conditions into account. The suitability of the sealing must be specified with regard to the medium and its vapours. In addition, ensure it has corresponding corrosion resistance.
- Mount the magnetic float switch either via mounting thread ③ or mounting flange (not illustrated).
- The guide tube ④ should not be inclined more than a maximum of 30° to the vertical.
- If the geometry of the float does not fit through the process connection, the float must be removed before mounting.
 - For this, before removal, mark the position of the float stops ⑤ with a waterproof pen
 - Mark the mounting position of the floats (e.g. "Up")
 - After the magnetic float switch has been mounted, the float should be re-attached within the inside of the tank (pay attention to the mounting position!).
 - Float stops ⑤ must then be re-attached at the marked points.
- The number of floats and also the position of the float stops are dependent upon the dimension and the number of switch points.



5. Commissioning, operation

EN

5.3 Electrical connection

- The electrical connection must only be made by qualified skilled personnel.
- Connection details and switching functions are given on the connection diagram on the instrument and the connection terminals are appropriately marked (exception: Versions with only one normally closed or normally open contact).
- Seal the cable bushing ② at the connection housing ①.
- The mains connection lines to be provided must be dimensioned for maximum instrument current supply and comply with IEC 227 or IEC 245.



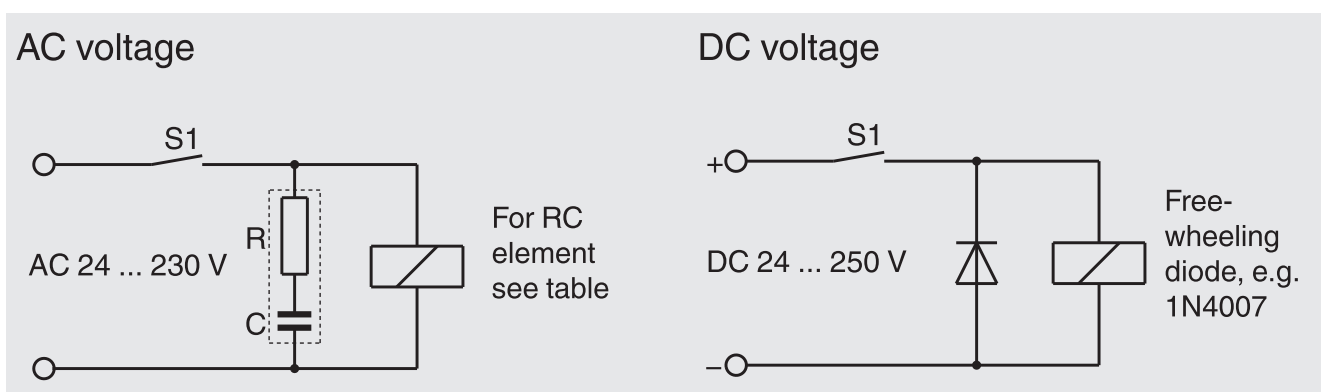
WARNING!

Electrical connection errors of the magnetic float switches can destroy the reed contacts. This can lead to a malfunction in the plant and thus lead to injury to personnel or damage to equipment.

- ▶ No direct operation in circuits with inductive loads.
- ▶ No direct operation in circuits with capacitive loads, e.g. PLC, PCS or cable lengths > 50 m.
- ▶ Do not exceed the permissible switching power.

Connection with inductive load

With inductive loads, the magnetic float switches should be protected by connection to an RC element or a free-wheeling diode.



5. Commissioning, operation

Protective RC elements

Depending on the operating voltage, use RC elements exclusively in accordance with the table below. RC elements other than those specified here will lead to the destruction of the reed switch.

EN

RC elements for reed contacts 10 ... 40 VA

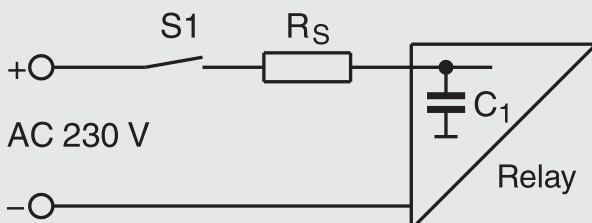
Voltage	Resistance	Capacitance	Type of RC element
AC 24 V	100 Ω	0.33 μF	A 3/24
AC 48 V	220 Ω	0.33 μF	A 3/48
AC 115 V	470 Ω	0.33 μF	A 3/115
AC 230 V	1,500 Ω	0.33 μF	A 3/230

RC elements for reed contacts 40 ... 100 VA

Voltage	Resistance	Capacitance	Type of RC element
AC 24 V	47 Ω	0.33 μF	B 3/24
AC 48 V	100 Ω	0.33 μF	B 3/48
AC 115 V	470 Ω	0.33 μF	B 3/115
AC 230 V	1,000 Ω	0.33 μF	B 3/230

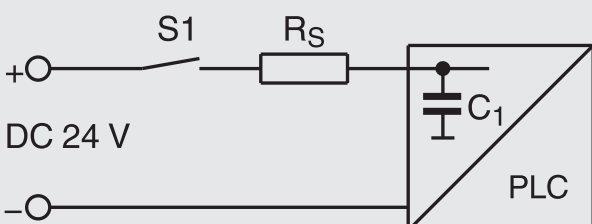
Connection with capacitive load

AC voltage current limitation
e.g. for electronic time relay



$R_S = 220 \Omega$ (for AC 230 V)
 $C_1 =$ internal capacitance

Current limitation, DC voltage
e.g. for PLC, PCS and cables > 50 m



$R_S = 22 \Omega$ (47 Ω for contacts ≤ 10 VA)
 $C_1 =$ internal capacitance

5. Commissioning, operation



To increase the service life of the contacts, we recommend operation with a contact protection relay.

EN

Connection diagrams

Colour coding per IEC 757

Number of switch points	PVC cable		Silicone cable		Connection housing	
	NO/NC	CO	NO/NC	CO	NO/NC	CO
1 L-SP	GY L1 BK L1	GY L1 BN L1 BK L1	GY L1 BK L1	GY L1 BN L1 BK L1	GY 1 L1 BN 2 L1	GY 1 L1 BN 2 L1 BK 3 L1
2 L-SP	BK L1 BK L1 BN L2 GY L2	YE L1 GN L1 BK L1 BU L2 PK L2 GY L2	BK L1 BK L1 BN L2 GY L2	YE L1 GN L1 BK L1 BU L2 RD L2 WH L2	BK 1 L1 BK 2 L1 BN 3 L2 GY 4 L2	YE 1 L1 GN 2 L1 BN 3 L2 GY 4 L2 RD 5 L2 WH 6 L2
3 L-SP	GN L1 BN L1 YE L2 GY L2 PK L3 BU L3	BU-RD L1 RD L1 WH L1 YE L2 GN L2 BN L2 BU L3 PK L3 GY L3	GN L1 BN L1 YE L2 GY L2 PK L3 BU L3	-	BN 1 L1 WH 2 L1 YE 3 L2 GN 4 L2 GY 5 L3 RD 6 L3	WH 1 L1 BK 2 L1 OG 3 L1 YE 4 L2 GN 5 L2 BN 6 L2 BU 7 L3 PK 8 L3 GY 9 L3
4 L-SP	RD L1 WH L1 GN L2 BN L2 YE L3 GY L3 PK L4 BU L4	GY-RD L1 BK L1 VT L1 BU-RD L2 RD L2 WH L2 YE L3 GN L3 BN L3 BU L4 PK L4 GY L4	-	-	RD 1 L1 WH 2 L1 GN 3 L2 BN 4 L2 YE 5 L3 GY 6 L3 PK 7 L4 BU 8 L4	WH 1 L1 BK 2 L1 OG 3 L1 YE 4 L2 GN 5 L2 BN 6 L2 BU 7 L3 PK 8 L3 GY 9 L3 RD 10 L4 VT 11 L4 CLEAR 12 L4

5. Commissioning, operation

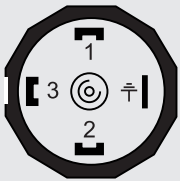

EN

Number of switch points	PVC cable		Connection housing	
	NO	NC	NO	NC
5 L-SP	BK	L1	RD	1 L1
	VI	L1	WH	2 L1
	RD	L2	GN	3 L2
	WH	L2	BN	4 L2
	GN	L3	YE	5 L3
	BN	L3	GY	6 L3
	YE	L4	PK	7 L4
	GY	L4	BU	8 L4
	PK	L5	VT	9 L5
	BU	L5	CLEAR	10 L5
			RD	1 L1
			WH	2 L1
			GN	3 L2
			BN	4 L2
			YE	5 L3
			GY	6 L3
6 L-SP	GY-RD	L1	PK	7 L4
	BU-RD	L1	BU	8 L4
	BK	L2	VT	9 L5
	VT	L2	CLEAR	10 L5
	RD	L3	BK	11 L6
	WH	L3	OG	12 L6
	GN	L4		
	BN	L4		
	YE	L5		
	GY	L5		
	PK	L6		
	BU	L6		


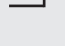

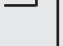
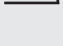

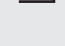


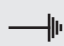
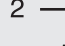
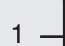
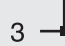
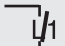
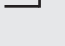
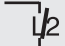

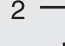
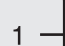
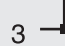
Number of switch points	PVC cable		Silicone cable		Connection housing	
	NO/NC	CO	NO/NC	CO	NO/NC	CO
1 L-SP and 1 T-SP	BK L1	GY L1	BK L1	GY L1	BK 1 L1	GY 1 L1
	BK L1	RD L1	BK L1	RD L1	BK 2 L1	RD 2 L1
	BN 9	WH 9	BN 9	WH 9	BN 3 9	WH 3 9
	GY 9	BN 9	GY 9	BN 9	GY 4 9	BN 4 9
1 L-SP and 2 T-SP	GN L1	BU-RD L1	BN L1	-	BN 1 L1	WH 1 L1
	BN L1	RD L1	WH L1	-	WH 2 L1	BK 2 L1
	YE 9 ^{55°C}	WH 9 ^{55°C}	YE 9 ^{55°C}	-	YE 3 9 ^{55°C}	OG 3 9 ^{55°C}
	GY 9 ^{55°C}	YE 9 ^{55°C}	GN 9 ^{55°C}	-	GN 4 9 ^{55°C}	YE 4 9 ^{55°C}
	PK 9 ^{75°C}	GN 9 ^{55°C}	BU 9 ^{75°C}	-	GY 5 9 ^{75°C}	GN 5 9 ^{55°C}
	BU 9 ^{75°C}	PK 9 ^{75°C}	RD 9 ^{75°C}	-	RD 6 9 ^{75°C}	BN 6 9 ^{55°C}
		GY 9 ^{75°C}		-		BU 7 9 ^{75°C}
				-		PK 8 9 ^{75°C}
				-		GY 9 9 ^{75°C}

5. Commissioning, operation

Connector pin assignment

Cube plug ASC4	Circular connector M12 x 1
	

EN

Number of switch points	Cube plug ASC4		Circular connector M12 x 1	
	NO/NC	CO	NO/NC	CO
1 L-SP	1  L1 2 	1  L1 3  L1 2 	BN 1  L1 WH 2 	WH 2  L1 BN 1  BK 4 
2 L-SP	2  L1 1  L2 3 	-	BN 1  1 WH 2  2 BU 3  2 BK 4 	-
1 L-SP and 1 T-SP	2  L1 1  0 3 	-		

5. Commissioning, operation / 6. Faults

5.4 Commissioning

Switch on the voltage supply of the connected control device. Fill the vessel and check the switch points of the magnetic float switch for function.

EN



WARNING!

Ensure that the functional check does not start any unintended processes.

Always observe the mounting and operating instructions of accessories when commissioning them.

6. Faults



The following table contains the most frequent causes of faults and the necessary countermeasures.

Faults	Causes	Measures
Magnetic float switch cannot be mounted at the planned place on the vessel	Process connection of the magnetic float switch does not match the process connection of the vessel.	Modification of the vessel Return to the factory
	Process connection at the vessel defective	Rework the thread or replace the screwed coupling
	Mounting thread at the magnetic float switch defective	Return to the factory
No or undefined switching function	Electrical connection incorrect	See chapter 5.3 "Electrical connection". Check assignment with the aid of the connection diagram.
	Temperature contact defective	Return to the factory
	Reed contact defective	

6. Faults / 7. Maintenance and cleaning



CAUTION!

Physical injuries and damage to property and the environment

If faults cannot be eliminated by means of the listed measures, the instrument must be taken out of operation immediately.

- ▶ Ensure that there is no longer any pressure present and protect against being put into operation accidentally.
- ▶ Contact the manufacturer.
- ▶ If a return is needed, please follow the instructions given in chapter 8.2 “Return”.

EN

7. Maintenance and cleaning

7.1 Maintenance

When used properly, the magnetic float switches work maintenance-free. They must be subjected to visual inspection within the context of regular maintenance, however, and included in the vessel pressure test.



DANGER!

Work on vessels involves the danger of intoxication and suffocation. No work is allowed to be carried out unless by taking suitable personal protective measures (e.g. respiratory protection apparatus, protective outfit etc.).

Repairs must only be carried out by the manufacturer.



Perfect functioning of the magnetic float switches can only be guaranteed when original accessories and spare parts are used.

7. Maintenance and cleaning

7.2 Cleaning

EN



CAUTION!

Physical injuries and damage to property and the environment

Improper cleaning may lead to physical injuries and damage to property and the environment. Residual media in the dismantled instrument can result in a risk to persons, the environment and equipment.

- ▶ Rinse or clean the removed instrument.
- ▶ Sufficient precautionary measures must be taken.

1. Prior to cleaning, properly disconnect the instrument from the process and the power supply.
2. Clean the instrument carefully with a moist cloth.
3. Electrical connections must not come into contact with moisture!



CAUTION!

Damage to property

Improper cleaning may lead to damage to the instrument!

- ▶ Do not use any aggressive cleaning agents.
- ▶ Do not use any pointed and hard objects for cleaning.

8. Dismounting, return and disposal

8. Dismounting, return and disposal



WARNING!

Physical injuries and damage to property and the environment through residual media

Residual media in the dismantled instrument can result in a risk to persons, the environment and equipment.

- ▶ Wash or clean the dismantled instrument, in order to protect persons and the environment from exposure to residual media.

EN

8.1 Dismounting

Only disconnect the measuring instrument once the system has been depressurised and the power disconnected!

8.2 Return

Wash or clean the dismantled magnetic float switch before returning it, in order to protect personnel and the environment from exposure to residual media.



Information on returns can be found under the heading “Service” on our local website.

8.3 Disposal

Incorrect disposal can put the environment at risk.

Dispose of instrument components and packaging materials in an environmentally compatible way and in accordance with the country-specific waste disposal regulations.

9. Specifications

9. Specifications

EN

Model	Normally open, normally closed	Change-over
FLS-SE, FLS-SB	< AC 50 V; 100 VA; 1 A	< AC 50 V; 40 VA; 1 A
FLS-HE	< DC 75 V; 50 W; 0.5 A	< DC 75 V; 20 W; 0.5 A
FLS-SF, FLS-SA	max. AC 230 V; 100 VA; 1 A	max. AC 230 V; 40 VA; 1 A
FLS-PF, FLS-PA	max. DC 230 V; 50 W; 0.5 A	max. DC 230 V; 20 W; 0.5 A
FLS-HA		
FLS-ME	< AC 50 V; 10 VA; 0.5 A	< AC 50 V; 5 VA; 0.25 A
FLS-MB	< DC 75 V; 5 W; 0.25 A	< DC 75 V; 2.5 W; 0.15 A
FLS-HA3	max. AC 230 V; 50 VA; 1 A max. DC 230 V; 50 W; 0.5 A	max. AC 230 V; 50 VA; 1 A max. DC 230 V; 20 W; 0.5 A

Model FLS-X

Switching power when installed as simple apparatus per EN 60079-11 section 5.7:

max. AC/DC 36 V; 100 mA

Operating limits

- Operating temperature: $T = -196 \dots +350 \text{ }^{\circ}\text{C}$
- Operating pressure: $p = -1 \dots 40 \text{ bar}$

For further specifications see data sheet LM 30.01.

Inhalt

1. Allgemeines	24
2. Aufbau und Funktion	25
3. Sicherheit	26
4. Transport, Verpackung und Lagerung	31
5. Inbetriebnahme, Betrieb	31
6. Störungen	38
7. Wartung und Reinigung	39
8. Demontage, Rücksendung und Entsorgung	41
9. Technische Daten	42

Konformitätserklärungen finden Sie online unter www.wika.de.

1. Allgemeines

1. Allgemeines

- Die in der Betriebsanleitung beschriebenen Schwimmer-Magnetschalter werden nach dem aktuellen Stand der Technik konstruiert und gefertigt. Alle Komponenten unterliegen während der Fertigung strengen Qualitäts- und Umweltkriterien. Unsere Managementsysteme sind nach ISO 9001 zertifiziert.
- Diese Betriebsanleitung gibt wichtige Hinweise zum Umgang mit dem Gerät. Voraussetzung für sicheres Arbeiten ist die Einhaltung aller angegebenen Sicherheitshinweise und Handlungsanweisungen.
- Die für den Einsatzbereich des Gerätes geltenden örtlichen Unfallverhütungsvorschriften und allgemeinen Sicherheitsbestimmungen einhalten.
- Die Betriebsanleitung ist Produktbestandteil und muss in unmittelbarer Nähe des Gerätes für das Fachpersonal jederzeit zugänglich aufbewahrt werden. Betriebsanleitung an nachfolgende Benutzer oder Besitzer des Gerätes weitergeben.
- Das Fachpersonal muss die Betriebsanleitung vor Beginn aller Arbeiten sorgfältig durchgelesen und verstanden haben.
- Es gelten die allgemeinen Geschäftsbedingungen in den Verkaufsunterlagen.
- Technische Änderungen vorbehalten.
- Weitere Informationen:
 - Internet-Adresse: www.wika.de / www.wika.com
 - Zugehöriges Datenblatt: LM 30.01

Abkürzungen, Definitionen

L-SP	Niveau-Schaltpunkt
T-SP	Temperatur-Schaltpunkt
NO/NC	Schließer/Öffner
CO	Umschalter

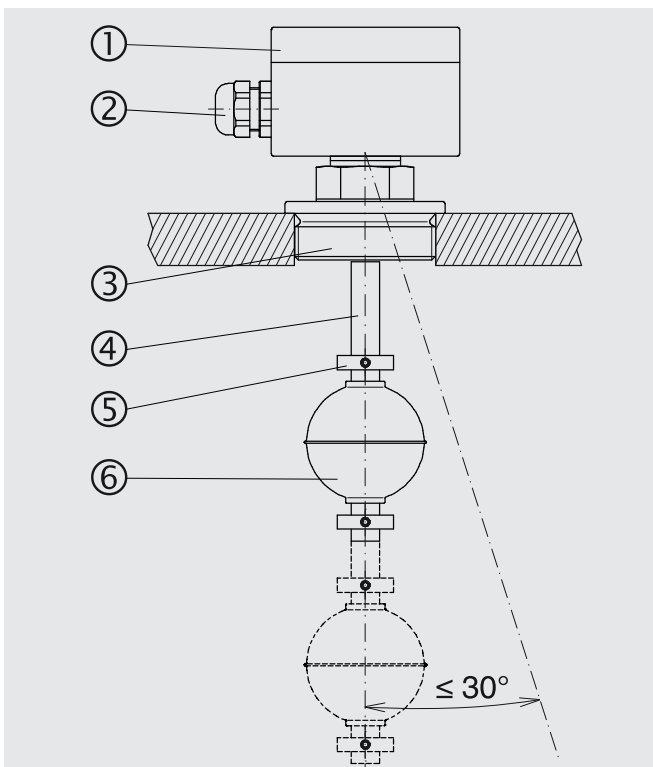
2. Aufbau und Funktion

2. Aufbau und Funktion

2.1 Funktionsbeschreibung

Schwimmer-Magnetschalter arbeiten nach dem Schwimmerprinzip mit magnetischer Übertragung. Ein im Gleitrohr ④ eingebauter Reedkontakt wird durch das Magnetfeld eines Permanentmagneten bei Erreichen eines vorgegebenen Schaltpunktes betätigt. Der Permanentmagnet befindet sich in einem Schwimmer ⑥, der seine Höhenlage mit dem Flüssigkeitspegel des zu überwachenden Messstoffes verändert. Der Schaltzustand des Reedkontaktes kann durch eine nachgeschaltete Steuereinrichtung ausgewertet und weiterverarbeitet werden.

Die Anzahl und Anordnung der Schwimmer ist abhängig von der Anzahl der vorgegebenen Schaltpunkte, deren Kontaktfunktion sowie dem Abstand der Schaltpunkte.



- ① Anschlussgehäuse
- ② Kabeldurchführung
- ③ Einschraubgewinde
- ④ Gleitrohr
- ⑤ Schwimmeranschlag
- ⑥ Schwimmer

2.2 Lieferumfang

Lieferumfang mit dem Lieferschein abgleichen.

3. Sicherheit

3.1 Symbolerklärung



GEFAHR!

... weist auf eine unmittelbar gefährliche Situation hin, die zum Tod oder zu schweren Verletzungen führt, wenn sie nicht gemieden wird.



WARNUNG!

... weist auf eine möglicherweise gefährliche Situation hin, die zum Tod oder zu schweren Verletzungen führen kann, wenn sie nicht gemieden wird.



VORSICHT!

... weist auf eine möglicherweise gefährliche Situation hin, die zu geringfügigen oder leichten Verletzungen bzw. Sach- und Umweltschäden führen kann, wenn sie nicht gemieden wird.



Information

... hebt nützliche Tipps und Empfehlungen sowie Informationen für einen effizienten und störungsfreien Betrieb hervor.

3.2 Bestimmungsgemäße Verwendung

Schwimmer-Magnetschalter dienen ausschließlich der Füllstandsüberwachung von flüssigen Messstoffen. Der Einsatzbereich ergibt sich aus den technischen Leistungsgrenzen und Werkstoffen.

- Die Flüssigkeiten dürfen keine starken Verschmutzungen oder Grobteile aufweisen und nicht zum Auskristallisieren neigen. Es ist sicherzustellen, dass die medienberührenden Werkstoffe des Schwimmer-Magnetschalters gegen den zu überwachenden Messstoff ausreichend beständig sind. Nicht geeignet für Dispersionen, abrasive Flüssigkeiten, hochviskose Medien und Farben.

3. Sicherheit

- Dieses Gerät ist nicht für den Einsatz in explosionsgefährdeten Bereichen zugelassen! Ausgenommen sind Schwimmer-Magnetschalter, die als einfaches elektrisches Betriebsmittel gemäß EN 60079-11 Abschnitt 5.7 gekennzeichnet sind.
- Die in der Betriebsanleitung angegebenen Einsatzbedingungen sind einzuhalten.
- Gerät nicht in unmittelbarer Nähe von ferromagnetischer Umgebung (Abstand min. 50 mm) betreiben.
- Gerät nicht in unmittelbarer Nähe von starken elektromagnetischen Feldern bzw. in unmittelbarer Nähe von Einrichtungen betreiben, die durch Magnetfelder beeinflusst werden können (Abstand min. 1 m).
- Die Schwimmer-Magnetschalter dürfen keinen starken mechanischen Belastungen (Stoß, Verbiegen, Vibrationen) ausgesetzt werden.
- Die technischen Spezifikationen in dieser Betriebsanleitung sind einzuhalten. Eine unsachgemäße Handhabung oder ein Betreiben des Gerätes außerhalb der technischen Spezifikationen macht die sofortige Stilllegung und Überprüfung durch einen autorisierten WIKA-Servicemitarbeiter erforderlich.

Das Gerät ist ausschließlich für den hier beschriebenen bestimmungsgemäßen Verwendungszweck konzipiert und konstruiert und darf nur dementsprechend verwendet werden.

Ansprüche jeglicher Art aufgrund von nicht bestimmungsgemäßer Verwendung sind ausgeschlossen.



GEFAHR!

Beim Arbeiten an Behältern, besteht Vergiftungs- oder Erstickungsgefahr. Arbeiten dürfen nur unter Anwendung geeigneter Personenschutzmaßnahmen (z. B. Atemschutzgerät, Schutzkleidung o. Ä.). durchgeführt werden.

3. Sicherheit

3.3 Fehlgebrauch

Als Fehlgebrauch gilt jede Verwendung, die die technischen Leistungsgrenzen überschreitet oder mit den Werkstoffen unverträglich ist.



WARNUNG!

Verletzungen durch Fehlgebrauch

Fehlgebrauch des Gerätes kann zu gefährlichen Situationen und Verletzungen führen.

- ▶ Eigenmächtige Umbauten am Gerät unterlassen.
- ▶ Gerät nicht in explosionsgefährdeten Bereichen einsetzen.

Jede über die bestimmungsgemäße Verwendung hinausgehende oder andersartige Benutzung gilt als Fehlgebrauch.

Dieses Gerät nicht in Sicherheits- oder in Not-Aus-Einrichtungen benutzen.

3.4 Verantwortung des Betreibers

Das Gerät wird im gewerblichen Bereich eingesetzt. Der Betreiber unterliegt daher den gesetzlichen Pflichten zur Arbeitssicherheit.

Die Sicherheitshinweise dieser Betriebsanleitung, sowie die für den Einsatzbereich des Gerätes gültigen Sicherheits-, Unfallverhütungs- und Umweltschutzvorschriften einhalten.

Für ein sicheres Arbeiten am Gerät muss der Betreiber Folgendes sicherstellen:

- Bedienpersonal wird regelmäßig in allen zutreffenden Fragen von Arbeitssicherheit, Erste Hilfe und Umweltschutz unterwiesen.
- Bedienpersonal hat Betriebsanleitung gelesen und insbesondere die darin enthaltenen Sicherheitshinweise zur Kenntnis genommen.
- Die bestimmungsgemäße Verwendung für den Anwendungsfall wird eingehalten.
- Nach Prüfung ist ein Fehlgebrauch des Gerätes ausgeschlossen.

3.5 Personalqualifikation



WARNUNG!

Verletzungsgefahr bei unzureichender Qualifikation

Unsachgemäßer Umgang kann zu erheblichen Personen- und Sachschäden führen.

- ▶ Die in dieser Betriebsanleitung beschriebenen Tätigkeiten nur durch Fachpersonal nachfolgend beschriebener Qualifikation durchführen lassen.

DE

Fachpersonal

Das vom Betreiber autorisierte Fachpersonal ist aufgrund seiner fachlichen Ausbildung, seiner Kenntnisse der Mess- und Regelungstechnik und seiner Erfahrungen sowie Kenntnis der landesspezifischen Vorschriften, geltenden Normen und Richtlinien in der Lage, die beschriebenen Arbeiten auszuführen und mögliche Gefahren selbstständig zu erkennen.

3.6 Persönliche Schutzausrüstung

Die persönliche Schutzausrüstung dient dazu, das Fachpersonal gegen Gefahren zu schützen, die dessen Sicherheit oder Gesundheit bei der Arbeit beeinträchtigen könnten. Beim Ausführen der verschiedenen Arbeiten an und mit dem Gerät muss das Fachpersonal persönliche Schutzausrüstung tragen.

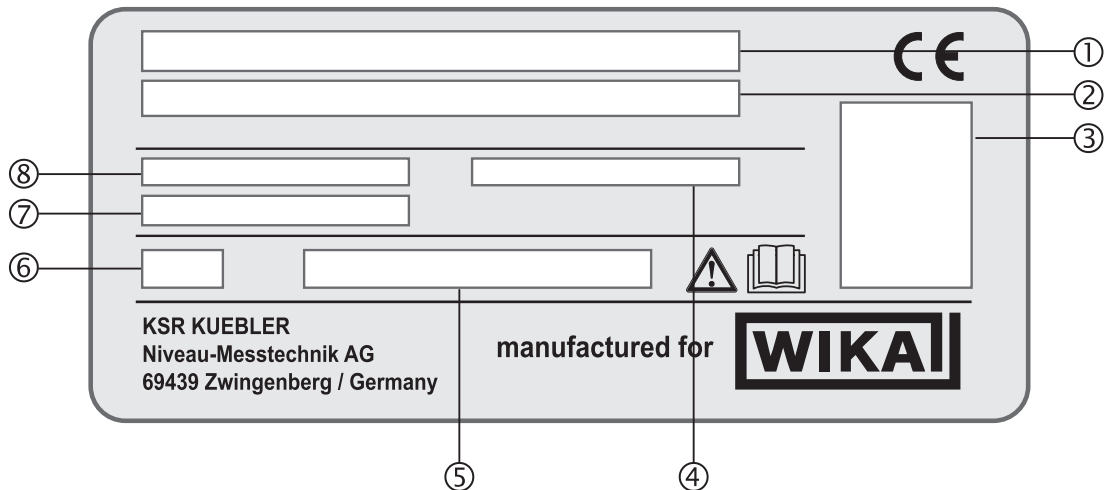
Im Arbeitsbereich angebrachte Hinweise zur persönlichen Schutzausrüstung befolgen!

Die erforderliche persönliche Schutzausrüstung muss vom Betreiber zur Verfügung gestellt werden.

3. Sicherheit

3.7 Beschilderung, Sicherheitskennzeichnungen

Typenschild (Beispiele)



- ① Typ, Bezeichnung
- ② Gerätecodierung
- ③ L1 ... Ln: Schaltpunktangabe in mm
- ④ Artikelnummer
- ⑤ Schaltleistung
- ⑥ Schutzart nach IEC/EN 60529
- ⑦ Messstellenummer
- ⑧ Seriennummer



Vor Montage und Inbetriebnahme des Gerätes unbedingt die Betriebsanleitung lesen!

4. Transport, Verpackung und Lagerung

4.1 Transport

Schwimmer-Magnetschalter auf eventuell vorhandene Transportschäden untersuchen. Offensichtliche Schäden unverzüglich mitteilen.



VORSICHT!

Bei unsachgemäßem Transport können Sachschäden in erheblicher Höhe entstehen.

- ▶ Symbole auf der Verpackung beachten
- ▶ Packstücke vorsichtig behandeln

DE

4.2 Verpackung und Lagerung

Verpackung erst unmittelbar vor der Inbetriebnahme entfernen.

5. Inbetriebnahme, Betrieb

- Alle auf der Versandverpackung angegebenen Hinweise zum Entfernen der Transportsicherungen beachten.
- Den Schwimmer-Magnetschalter vorsichtig aus der Verpackung entnehmen!
- Beim Auspacken alle Teile auf äußerliche Beschädigungen überprüfen.

5.1 Montagevorbereitung



Funktionsprüfung

Vor der Montage kann der Schwimmerschalter wie unter Kapitel 5.3 beschrieben angeschlossen und die Schaltpunkte manuell betätigt werden.



WARNUNG!

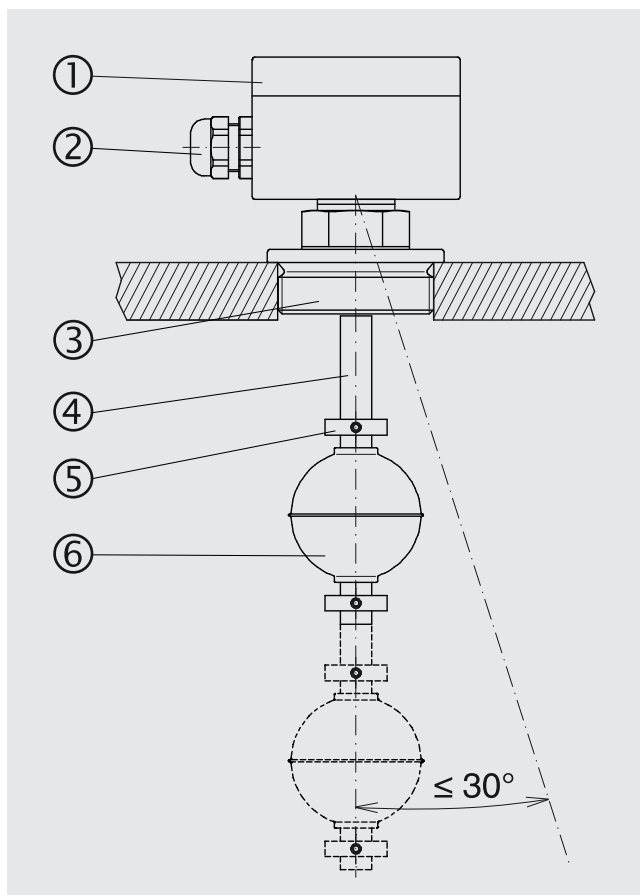
Sicherstellen, dass die Funktionsprüfung keine unbeabsichtigten Prozesse startet.

Sicherstellen, dass die Dichtflächen des Behälters bzw. des Schwimmer-Magnetschalters sauber sind und keine mechanische Beschädigung aufweisen.

5. Inbetriebnahme, Betrieb

5.2 Montage

- Die im Rohrleitungsbau vorgeschriebenen Drehmomentwerte der Schrauben einhalten.
- Bei der Auswahl des Montagematerials (Dichtungen, Schrauben, Unterlegscheiben und Muttern) die Prozessbedingungen beachten. Die Eignung der Dichtung muss hinsichtlich Messstoff und dessen Dämpfen gegeben sein. Zusätzlich ist auf entsprechende Korrosionsbeständigkeit zu achten.
- Schwimmer-Magnetschalter entweder über Einschraubgewinde ③ oder Montageflansch (nicht dargestellt) einbauen.
- Das Gleitrohr ④ darf maximal 30° zur Vertikalen geneigt sein.
- Passt die Geometrie des Schwimmers nicht durch den Prozessanschluss, muss der Schwimmer vor der Montage entfernt werden.
 - Dazu Position der Schwimmeranschläge ⑤ vor dem Abbauen mit einem wasserfesten Stift markieren
 - Einbaulage der Schwimmer kennzeichnen (z. B. „Oben“)
 - Nach der Montage des Schwimmer-Magnetschalters ist der Schwimmer im Inneren des Tanks wieder anzubauen (Einbaulage beachten!).
 - Schwimmeranschläge ⑤ sind anschließend an den markierten Stellen wieder zu befestigen.
- Die Anzahl der Schwimmer sowie die Position der Schwimmeranschläge sind vom Maß und der Anzahl der Schaltpunkte abhängig.



5. Inbetriebnahme, Betrieb

5.3 Elektrischer Anschluss

- Der elektrische Anschluss darf nur durch qualifiziertes Fachpersonal erfolgen.
- Die Belegung der Anschlüsse und die Schaltfunktionen sind auf dem Anschlussschema am Gerät angegeben und die Anschlussklemmen sind entsprechend gekennzeichnet (Ausnahme: Ausführungen mit nur einem Öffner- oder Schließerkontakt).
- Die Kabeldurchführung ② am Anschlussgehäuse ① abdichten.
- Die vorgesehenen Netzanschlussleitungen müssen für die größte Stromaufnahme des Gerätes bemessen sein und IEC 227 oder IEC 245 entsprechen.

DE



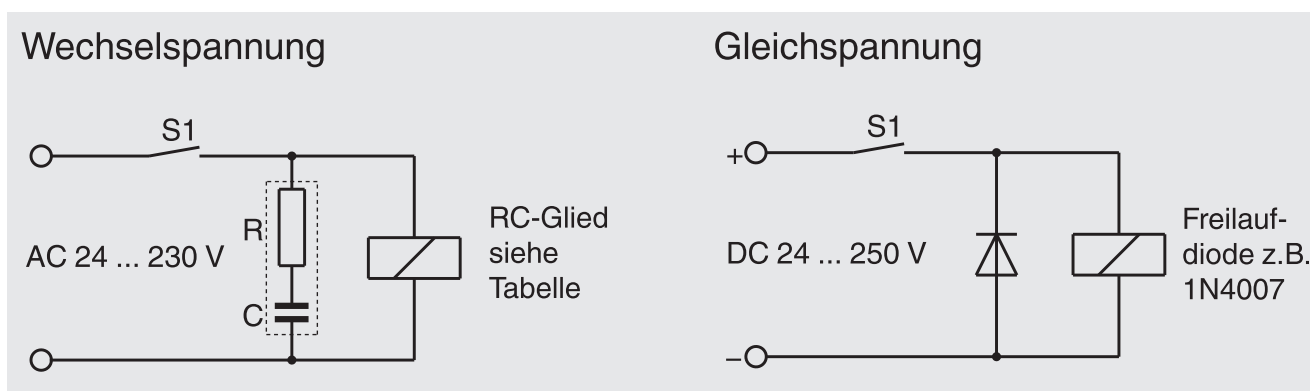
WARNUNG!

Fehler beim elektrischen Anschluss von Schwimmer-Magnetschaltern können die Reedkontakte zerstören. Dies kann zu einer Fehlfunktion der Anlage und dadurch zu Personen- oder Sachschäden führen.

- ▶ Kein direkter Betrieb an Schaltungen mit induktiver Last.
- ▶ Kein direkter Betrieb an Schaltungen mit kapazitiver Last, z. B. SPS, PLS oder Leitungslängen > 50 m.
- ▶ Kein Überschreiten der zulässigen Schaltleistung.

Anschluss bei induktiver Last

Bei induktiver Belastung sind die Schwimmer-Magnetschalter durch Beschaltung mit einem RC-Glied oder einer Freilaufdiode zu schützen.



5. Inbetriebnahme, Betrieb

RC-Glieder zur Schutzbeschaltung

RC-Glieder sind, je nach Betriebsspannung, ausschließlich entsprechend untenstehender Tabelle zu verwenden. Andere als die hier aufgeführten RC-Glieder führen zur Zerstörung des Reed-Schalters.

RC-Glieder für Reedkontakte 10 ... 40 VA

DE

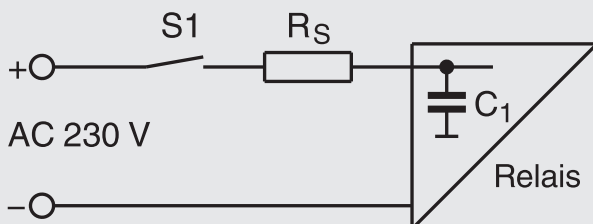
Spannung	Widerstand	Kapazität	RC-Glied-Typ
AC 24 V	100 Ω	0,33 μF	A 3/24
AC 48 V	220 Ω	0,33 μF	A 3/48
AC 115 V	470 Ω	0,33 μF	A 3/115
AC 230 V	1.500 Ω	0,33 μF	A 3/230

RC-Glieder für Reedkontakte 40 ... 100 VA

Spannung	Widerstand	Kapazität	RC-Glied-Typ
AC 24 V	47 Ω	0,33 μF	B 3/24
AC 48 V	100 Ω	0,33 μF	B 3/48
AC 115 V	470 Ω	0,33 μF	B 3/115
AC 230 V	1.000 Ω	0,33 μF	B 3/230

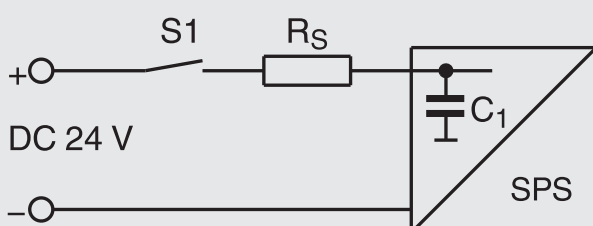
Anschluss bei kapazitiver Last

Strombegrenzung Wechselspannung
z. B. für elektronisches Zeitrelais



$R_S = 220 \Omega$ (für AC 230 V)
 $C_1 =$ innere Kapazität

Strombegrenzung Gleichspannung
z. B. für SPS, PLS und Leitungen > 50 m



$R_S = 22 \Omega$ (47 Ω für Kontakte ≤ 10 VA)
 $C_1 =$ innere Kapazität

5. Inbetriebnahme, Betrieb



Zur Erhöhung der Lebensdauer der Kontakte wird der Betrieb an einem Kontaktschutzrelais empfohlen.

Anschlussbilder

Farb-Kurzzeichen nach IEC 757

DE

Anzahl Schaltpunkte	PVC-Kabel		Silikonkabel		Anschlussgehäuse	
	NO/NC	CO	NO/NC	CO	NO/NC	CO
1 L-SP	GY L1 BK L1	GY L1 BN L1 BK L1	GY L1 BK L1	GY L1 BN L1 BK L1	GY 1 L1 BN 2 L1	GY 1 L1 BN 2 L1 BK 3 L1
2 L-SP	BK L1 BK L1 BN L2 GY L2	YE L1 GN L1 BK L1 BU L2 PK L2 GY L2	BK L1 BK L1 BN L2 GY L2	YE L1 GN L1 BK L1 BU L2 RD L2 WH L2	BK 1 L1 BK 2 L1 BN 3 L2 GY 4 L2	YE 1 L1 GN 2 L1 BN 3 L2 GY 4 L2 RD 5 L2 WH 6 L2
3 L-SP	GN L1 BN L1 YE L2 GY L2 PK L3 BU L3	BU-RD L1 RD L1 WH L1 YE L2 GN L2 BN L2 BU L3 PK L3 GY L3	GN L1 BN L1 YE L2 GY L2 PK L3 BU L3	-	BN 1 L1 WH 2 L1 YE 3 L2 GN 4 L2 GY 5 L3 RD 6 L3	WH 1 L1 BK 2 L1 OG 3 L1 YE 4 L2 GN 5 L2 BN 6 L2 BU 7 L3 PK 8 L3 GY 9 L3
4 L-SP	RD L1 WH L1 GN L2 BN L2 YE L3 GY L3 PK L4 BU L4	GY-RD L1 BK L1 VT L1 BU-RD L2 RD L2 WH L2 YE L3 GN L3 BN L3 BU L4 PK L4 GY L4	-	-	RD 1 L1 WH 2 L1 GN 3 L2 BN 4 L2 YE 5 L3 GY 6 L3 PK 7 L4 BU 8 L4	WH 1 L1 BK 2 L1 OG 3 L1 YE 4 L2 GN 5 L2 BN 6 L2 BU 7 L3 PK 8 L3 GY 9 L3 RD 10 L4 VT 11 L4 CLEAR 12 L4

5. Inbetriebnahme, Betrieb

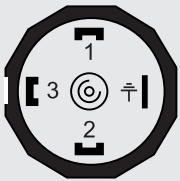

DE

Anzahl Schaltpunkte	PVC-Kabel		Anschlussgehäuse	
	NO/NC		NO/NC	
5 L-SP	BK	L1	RD 1	L1
	VI	L1	WH 2	L1
	RD	L2	GN 3	L2
	WH	L2	BN 4	L2
	GN	L3	YE 5	L3
	BN	L3	GY 6	L3
	YE	L4	PK 7	L4
	GY	L4	BU 8	L4
	PK	L5	VT 9	L5
	BU	L5	CLEAR 10	L5
6 L-SP	GY-RD	L1	RD 1	L1
	BU-RD	L1	WH 2	L1
	BK	L2	GN 3	L2
	VT	L2	BN 4	L2
	RD	L3	YE 5	L3
	WH	L3	GY 6	L3
	GN	L4	PK 7	L4
	BN	L4	BU 8	L4
	YE	L5	VT 9	L5
	GY	L5	CLEAR 10	L5
	PK	L6	BK 11	L6
	BU	L6	OG 12	L6


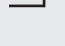

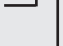
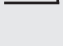

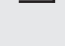



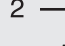
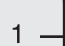
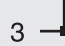
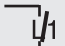
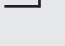
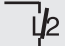

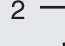
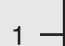
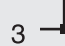
Anzahl Schaltpunkte	PVC-Kabel		Silikonkabel		Anschlussgehäuse	
	NO/NC	CO	NO/NC	CO	NO/NC	CO
1 L-SP und 1 T-SP	BK	L1	BK	L1	BK 1	L1
	BK	L1	BK	L1	BK 2	L1
	BN	9	BN	9	BN 3	9
	GY	9	GY	9	GY 4	9
1 L-SP und 2 T-SP	GN	L1	BN	L1	BN 1	L1
	BN	L1	WH	L1	WH 2	L1
	YE	9 _{55°C}	YE	9 _{55°C}	YE 3	9 _{55°C}
	GY	9 _{55°C}	GN	9 _{55°C}	GN 4	9 _{55°C}
	PK	9 _{75°C}	BU	9 _{75°C}	GY 5	9 _{75°C}
	BU	9 _{75°C}	RD	9 _{75°C}	RD 6	9 _{75°C}
			PK	9 _{75°C}		
			GY	9 _{75°C}		

5. Inbetriebnahme, Betrieb

Pinbelegung Stecker

Würfelstecker ASC4	Rundstecker M12 x 1
	

DE

Anzahl Schaltpunkte	Würfelstecker ASC4		Rundstecker M12 x 1	
	NO/NC	CO	NO/NC	CO
1 L-SP	1  L1 2 	1  L1 3  L1 2 	BN 1  L1 WH 2 	WH 2  L1 BN 1  BK 4 
2 L-SP	2  L1 1  L2 3 	-	BN 1  1 WH 2  2 BU 3  2 BK 4 	-
1 L-SP und 1 T-SP	2  L1 1  0 3 	-		

5. Inbetriebnahme, Betrieb / 6. Störungen

5.4 Inbetriebnahme

Spannungsversorgung der angeschlossenen Steuerungseinrichtung einschalten. Behälter füllen und die Schaltpunkte des Schwimmer-Magnetschalters auf Funktion prüfen.



WARNUNG!

Sicherstellen, dass die Funktionsprüfung keine unbeabsichtigten Prozesse startet.

Zur Inbetriebnahme von Zubehör unbedingt die jeweilige Montage- und Betriebsanleitung beachten.

6. Störungen



In der folgenden Tabelle sind die häufigsten Fehlerursachen und erforderliche Gegenmaßnahmen aufgeführt.

Störungen	Ursachen	Maßnahmen
Schwimmer-Magnetschalter lässt sich nicht an der vorgesehenen Stelle am Behälter anbauen	Prozessanschluss des Schwimmer-Magnetschalters passt nicht zu dem Prozessanschluss des Behälters.	Umbau des Behälters Rücksendung ans Werk
	Prozessanschluss am Behälter defekt	Nacharbeiten des Gewindes oder Austauschen der Befestigungsmuffe
	Einschraubgewinde am Schwimmer-Magnetschalter defekt	Rücksendung ans Werk
Keine oder undefinierte Schaltfunktion	Elektrischer Anschluss falsch	Siehe Kapitel 5.3 „Elektrischer Anschluss“. Belegung mit Hilfe des Anschlussbildes prüfen.
	Temperaturkontakt defekt	Rücksendung ans Werk
	Reed-Kontakt defekt	

6. Störungen / 7. Wartung und Reinigung



VORSICHT!

Körperverletzungen, Sach- und Umweltschäden

Können Störungen mit Hilfe der aufgeführten Maßnahmen nicht beseitigt werden, Gerät unverzüglich außer Betrieb setzen.

- ▶ Sicherstellen, dass kein Druck mehr anliegt und gegen versehentliche Inbetriebnahme schützen.
- ▶ Kontakt mit dem Hersteller aufnehmen.
- ▶ Bei notwendiger Rücksendung die Hinweise unter Kapitel 8.2 „Rücksendung“ beachten.

DE

7. Wartung und Reinigung

7.1 Wartung

Die Schwimmer-Magnetschalter arbeiten bei bestimmungsgemäßem Gebrauch wartungsfrei. Sie sind jedoch im Rahmen der regelmäßigen Wartung einer Sichtkontrolle zu unterziehen und in die Druckprüfung des Behälters mit einzubeziehen.



GEFAHR!

Beim Arbeiten an Behältern besteht Vergiftungs- oder Erstickungsgefahr. Arbeiten dürfen nur unter Anwendung geeigneter Personenschutzmaßnahmen (z. B. Atemschutzgerät, Schutzkleidung o. Ä.) durchgeführt werden.

Reparaturen sind ausschließlich vom Hersteller durchzuführen.



Die Funktion der Schwimmer-Magnetschalter kann nur bei Verwendung von Originalzubehör und Ersatzteilen gewährleistet werden.

7. Wartung und Reinigung

7.2 Reinigung



VORSICHT!

Körperverletzungen, Sach- und Umweltschäden

Eine unsachgemäße Reinigung führt zu Körperverletzungen, Sach- und Umweltschäden. Messstoffreste im ausgebauten Gerät können zur Gefährdung von Personen, Umwelt und Einrichtung führen.

- ▶ Ausgebautes Gerät spülen bzw. säubern.
- ▶ Ausreichende Vorsichtsmaßnahmen sind zu ergreifen.

1. Vor der Reinigung das Gerät ordnungsgemäß vom Prozess und der Stromversorgung trennen.
2. Das Gerät vorsichtig mit einem feuchten Tuch reinigen.
3. Elektrische Anschlüsse nicht mit Feuchtigkeit in Berührung bringen!



VORSICHT!

Sachbeschädigung

Eine unsachgemäße Reinigung führt zur Beschädigung des Gerätes!

- ▶ Keine aggressiven Reinigungsmittel verwenden.
- ▶ Keine harten und spitzen Gegenstände zur Reinigung verwenden.

8. Demontage, Rücksendung und Entsorgung



WARNUNG!

Körperverletzungen, Sach- und Umweltschäden durch Messstoffreste

Messstoffreste im ausgebauten Gerät können zur Gefährdung von Personen, Umwelt und Einrichtung führen.

- ▶ Ausgebautes Gerät spülen bzw. säubern, um Personen und Umwelt vor Gefährdung durch anhaftende Messstoffreste zu schützen.

DE

8.1 Demontage

Messgerät nur im drucklosen und spannungsfreiem Zustand demontieren!

8.2 Rücksendung

Ausgebauten Schwimmer-Magnetschalter vor der Rücksendung spülen bzw. säubern, um Mitarbeiter und Umwelt vor Gefährdung durch anhaftende Messstoffreste zu schützen.



Hinweise zur Rücksendung befinden sich in der Rubrik „Service“ auf unserer lokalen Internetseite.

8.3 Entsorgung

Durch falsche Entsorgung können Gefahren für die Umwelt entstehen. Gerätekomponenten und Verpackungsmaterialien entsprechend den landesspezifischen Abfallbehandlungs- und Entsorgungsvorschriften umweltgerecht entsorgen.

9. Technische Daten

9. Technische Daten

Typ	Schließer, Öffner	Umschalter
FLS-SE, FLS-SB	< AC 50 V; 100 VA; 1 A	< AC 50 V; 40 VA; 1 A
FLS-HE	< DC 75 V; 50 W; 0,5 A	< DC 75 V; 20 W; 0,5 A
FLS-SF, FLS-SA	max. AC 230 V; 100 VA; 1 A	max. AC 230 V; 40 VA; 1 A
FLS-PF, FLS-PA	max. DC 230 V; 50 W; 0,5 A	max. DC 230 V; 20 W; 0,5 A
FLS-HA		
FLS-ME	< AC 50 V; 10 VA; 0,5 A	< AC 50 V; 5 VA; 0,25 A
FLS-MB	< DC 75 V; 5 W; 0,25 A	< DC 75 V; 2,5 W; 0,15 A
FLS-HA3	max. AC 230 V; 50 VA; 1 A max. DC 230 V; 50 W; 0,5 A	max. AC 230 V; 50 VA; 1 A max. DC 230 V; 20 W; 0,5 A

Typ FLS-X

Schaltleistung bei Einbau als einfaches elektrisches Betriebsmittel nach EN 60079-11 Abschnitt 5.7:

max. AC/DC 36 V; 100 mA

Einsatzgrenzen

- Betriebstemperatur: $T = -196 \dots +350 \text{ °C}$
- Betriebsdruck: $p = -1 \dots 40 \text{ bar}$

Weitere technische Daten siehe Datenblatt LM 30.01.

KSR Kuebler subsidiaries worldwide can be found online at www.ksr-kuebler.com.
WIKA subsidiaries worldwide can be found online at www.wika.com.

Manufacturer contact:



KSR Kuebler Niveau-Messtechnik AG
Heinrich-Kuebler-Platz 1
69439 Zwingenberg am Neckar • Germany
Tel. +49 6263/87-0
Fax +49 6263/87-99
info@ksr-kuebler.com
www.ksr-kuebler.com

Sales contact:



WIKA Alexander Wiegand SE & Co. KG
Alexander-Wiegand-Strasse 30
63911 Klingenberg • Germany
Tel. +49 9372 132-0
Fax +49 9372 132-406
info@wika.de
www.wika.de