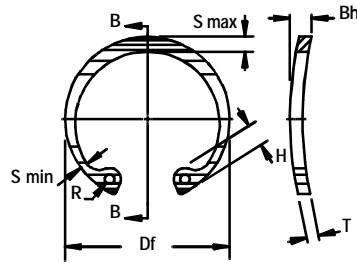
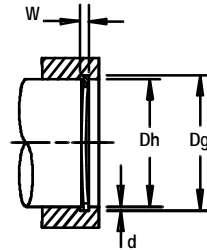


# Rotor Clip BHO Retaining Rings Axially Assembled, Internal Retaining Rings

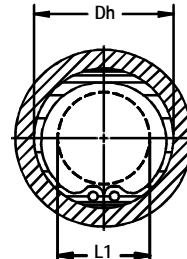
This retaining ring compensates for high/low tolerances in a housing or bore.



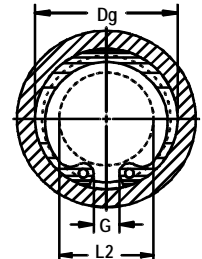
Free Diameter & Ring Measurements with Section B-B



Housing Diameter & Groove Dimensions



Clearance Diameter Compressed In Housing



Clearance Diameter & Gap Width Released In Groove

RING NO.	HOUSING DIAMETER			GROOVE SIZE			RING SIZE & WEIGHT						CLEARANCE			THRUST LD. (lbs.)				
	Dh DEC	Dh FRACT	Dh mm	Dg	Tol.	W	Tol.	d	Df	Tol.	T	Tol.	Bh	Tol.	Weight Per 1000 Pcs.	Compressed in housing	Released in groove	Sqr. Corner Abutment	Ring Safety factor of 4	Groove Safety factor of 2
BHO-25	.250	1/4	6.4	.268	±.001	.030	+.002	.009	.280		.015		.036		.08	.115	.133	426	190	
BHO-31	.312	5/16	7.9	.330	.0015*	.030	-.000	.009	.346		.015		.036		.11	.173	.191	538	240	
BHO-37	.375	3/8	9.5	.397		.040		.011	.415		.025		.047		.25	.204	.226	1066	350	
BHO-43	.438	7/16	11.1	.461	±.002	.040		.012	.482	±.010	.025		.047	±.006	.37	.23	.254	1238	440	
BHO-45	.453	29/64	11.5	.477	.002*	.040		.012	.498		.025		.047		.43	.25	.274	1299	460	
BHO-50	.500	1/2	12.7	.530		.055		.015	.548		.035		.063		.70	.26	.29	2010	510	
BHO-51	.512	-	13.0	.542	±.002	.055	+.003	.015	.560		.035		.063	±.007	.77	.27	.30	2060	520	
BHO-56	.562	9/16	14.3	.596	.004*	.055	-.000	.017	.620		.035		.063		.86	.275	.305	2253	710	
BHO-62	.625	5/8	15.9	.665		.055		.020	.694		.035		.063		1.0	.34	.38	2507	1050	
BHO-68	.688	11/16	17.5	.732		.055		.022	.763		.035		.063		1.2	.40	.44	2741	1280	
BHO-75	.750	3/4	19.0	.796		.055		.023	.831		.035		.063		1.3	.45	.49	3045	1460	
BHO-77	.777	-	19.7	.825		.062		.024	.859		.042		.073		1.7	.475	.52	4618	1580	
BHO-81	.812	13/16	20.6	.862		.062		.025	.901		.042		.073		1.9	.49	.54	4872	1710	
BHO-86	.866	-	22.0	.920		.062		.027	.961		.042		.073		2.0	.54	.59	5177	1980	
BHO-87	.875	7/8	22.2	.931		.062		.028	.971		.042		.073		2.1	.545	.60	5227	2080	
BHO-90	.901	-	22.9	.959	±.003	.062		.029	1.000	±.015	.042	±.002	.073	±.008	2.2	.565	.62	5430	2200	
BHO-93	.938	15/16	23.8	1.000	.004*	.062		.031	1.041		.042		.073		2.4	.61	.67	5684	2450	
BHO-100	1.000	1	25.4	1.066		.062		.033	1.111		.042		.073		2.7	.665	.73	6039	2800	
BHO-102	1.023	-	26.0	1.091		.062		.034	1.136		.042		.073		2.8	.69	.755	6141	3000	
BHO-106	1.062	1-1/16	27.0	1.130		.070		.034	1.180		.050		.085		3.7	.685	.75	7562	3050	
BHO-112	1.125	1-1/8	28.6	1.197		.070		.036	1.249		.050		.085		4.0	.745	.815	8019	3400	
BHO-118	1.181	-	30.0	1.255		.070		.037	1.319		.050		.085		4.3	.79	.86	8526	3700	
BHO-118	1.188	1-3/16	30.2	1.262		.070		.037	1.319		.050		.085		4.3	.80	.87	8526	3700	
BHO-125	1.250	1-1/4	31.7	1.330	±.004	.070		.040	1.388	±.025	.050		.085	±.012	4.8	.875	.955	8932	4250	
BHO-125	1.259	-	32.0	1.339	.005*	.070		.040	1.388		.050		.085		4.8	.885	.965	8932	4250	
BHO-131	1.312	1-5/16	33.3	1.396		.070		.042	1.456		.050		.085		5.0	.93	1.01	9440	4700	
BHO-137	1.375	1-3/8	34.9	1.461		.070		.043	1.526		.050		.085		5.1	.99	1.07	9846	5050	
BHO-137	1.378	-	35.0	1.464		.070		.043	1.526		.050		.085		5.1	.99	1.07	9846	5050	
BHO-143	1.438	1-7/16	36.5	1.528		.070		.045	1.596		.050		.085		5.8	1.06	1.15	10353	5500	
BHO-145	1.456	-	37.0	1.548		.070		.046	1.616		.050		.085		6.4	1.08	1.17	10455	5700	
BHO-150	1.500	1-1/2	38.1	1.594		.070		.047	1.660		.050		.085		6.5	1.12	1.21	10708	6000	
BHO-156	1.562	1-9/16	39.7	1.658		.100		.048	1.734		.062		.115		8.9	1.14	1.23	13906	6350	
BHO-156	1.575	-	40.0	1.671	±.005	.100	+.005	.048	1.734	+.035	.062	±.003	.115	±.015	8.9	1.15	1.24	13906	6350	
BHO-162	1.625	1-5/8	41.3	1.725	.005*	.100	-.000	.050	1.804	-.025	.062		.115		10.0	1.15	1.25	14413	6900	
BHO-175	1.750	1-3/4	44.4	1.858		.100		.054	1.942		.062		.115		10.3	1.26	1.36	15580	8050	

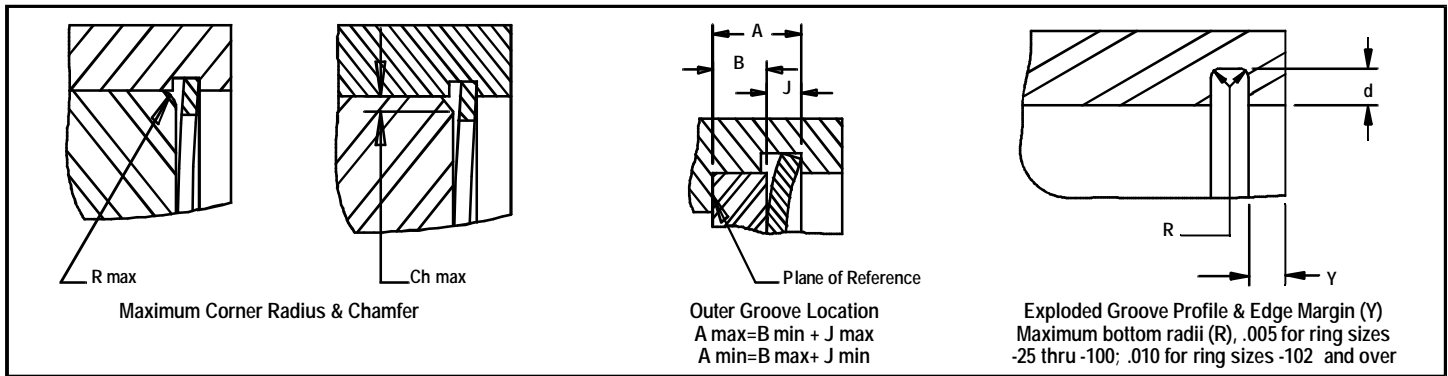
\*F.I.M. (FULL INDICATOR MOVEMENT)-MAXIMUM ALLOWABLE DEVIATION OF CONCENTRICITY BETWEEN GROOVE AND HOUSING.

†BASED ON HOUSINGS/SHAFTS MADE OF COLD ROLLED STEEL. FOR AN EXPLANATION OF FORMULAS USED TO DERIVE THRUST LOAD AND OTHER PERFORMANCE DATA, CONTACT THE ROTOR CLIP ENGINEERING DEPT.

\*\*\* FOR PLATED RINGS, ADD .002" TO THE LISTED MAXIMUM THICKNESS.

For a technical concern,  
Please ask for our Technical Sales Department.

# 1-800-55-ROTOR



RING NO.	DISTANCE Outer groove wall to face of retained part		TAKE UP Resilient take up of tolerances of A&B	FORCE Needed to flatten rings	ALLOWABLE CORNER RADII & CHAMFERS		MAX LOAD w/ R max or Ch max (in lbs.)	EDGE MARGIN	LUG HEIGHT		MAXIMUM SECTION		MINIMUM SECTION		HOLE DIAMETER		GAP WIDTH Ring in groove
	J min	J max			J max	J min			J min	J max	P'r	Y	H	Tol.	S max	Tol.	
BHO-25	.020	.028	.008	20	.011	.0085	190	.027	.065	±.003	.025	±.002	.015	±.002	.031		.047
BHO-31	.020	.028		20	.016	.013	190	.027	.066		.033	.018	.031	.055			
BHO-37	.030	.038		45	.023	.018	530	.033	.082		.040	.028	.041	.063			
BHO-43	.030	.038	.008	40	.027	.021	530	.036	.098	±.003	.049	±.003	.029	±.003	.041		.063
BHO-45	.030	.038		40	.027	.021	530	.036	.098		.050	.030	.047	.071			
BHO-50	.042	.053		120	.027	.021	1100	.045	.114		.053	.035	.047	.090			
BHO-51	.042	.053	.011	115	.027	.021	1100	.045	.114	±.004	.053	±.004	.035	±.004	.047	+.010	.092
BHO-56	.042	.053		100	.027	.021	1100	.051	.132		.053		.035		.047		.095
BHO-62	.042	.053		85	.027	.021	1100	.060	.132		.060		.035		.062		.104
BHO-68	.042	.053	.011	65	.027	.021	1100	.066	.132	±.005	.063	±.005	.036	±.005	.062	-.002	.118
BHO-75	.042	.053		45	.032	.025	1100	.069	.142		.070		.040		.062		.143
BHO-77	.049	.060		80	.035	.028	1650	.072	.146		.074		.044		.062		.145
BHO-81	.049	.060	.020	75	.035	.028	1650	.075	.155	±.005	.077	±.005	.044	±.005	.062		.153
BHO-86	.049	.060		70	.035	.028	1650	.081	.155		.081		.045		.062		.172
BHO-87	.049	.060		70	.035	.028	1650	.084	.155		.084		.045		.062		.179
BHO-90	.049	.060	.011	65	.038	.030	1650	.087	.155	±.006	.087	±.006	.047	±.006	.062	+.015	.188
BHO-93	.049	.060		60	.038	.030	1650	.093	.155		.091		.050		.062		.200
BHO-100	.049	.060		55	.042	.034	1650	.099	.155		.104		.052		.062		.212
BHO-102	.049	.060	.020	50	.042	.034	1650	.102	.155	±.006	.106	±.006	.054	±.006	.062	-.002	.220
BHO-106	.057	.068		70	.044	.035	2400	.102	.180		.110		.055		.078		.213
BHO-112	.057	.068		65	.047	.036	2400	.108	.180		.116		.057		.078		.232
BHO-118	.057	.068	.011	60	.047	.036	2400	.111	.180	±.006	.120	±.006	.058	±.006	.078	+.015	.226
BHO-118	.057	.068		60	.047	.036	2400	.111	.180		.120		.058		.078		.245
BHO-125	.057	.068		55	.048	.038	2400	.120	.180		.124		.062		.078		.265
BHO-131	.057	.068	.020	55	.048	.038	2400	.120	.180	±.007	.124	±.007	.062	±.007	.078	-.002	.290
BHO-137	.057	.068		45	.048	.038	2400	.129	.180		.130		.063		.078		.284
BHO-137	.057	.068		45	.048	.038	2400	.129	.180		.130		.063		.078		.297
BHO-143	.057	.068	.011	40	.048	.038	2400	.135	.180	±.006	.133	±.006	.065	±.006	.078	+.015	.305
BHO-145	.057	.068		35	.048	.038	2400	.138	.180		.133		.065		.078		.313
BHO-150	.057	.068		35	.048	.038	2400	.141	.180		.133		.066		.078		.320
BHO-156	.075	.095	.020	40	.064	.050	3900	.144	.202	±.007	.157	±.007	.078	±.007	.078		.338
BHO-156	.075	.095		40	.064	.050	3900	.144	.202		.157		.078		.078		.374
BHO-162	.075	.095		40	.064	.050	3900	.150	.227		.164		.082		.078		.339
BHO-175	.075	.095		35	.064	.050	3900	.162	.234		.171		.083		.078		.372

LARGER SIZES MAY BE AVAILABLE UPON REQUEST.

TABLE 1: HARDNESS RANGES-ROTOR CLIP  
STAINLESS STEEL RINGS (PH 15-7 MO)

RING	SIZE RANGE	SCALE	ROCKWELL HARDNESS
BHO	25&31	15N	82.5-86
	37-102	30N	63-69.5
	106& over	C	44-51

TABLE 2: HARDNESS RANGES-ROTOR CLIP  
BERYLLIUM COPPER RINGS

RING	SIZE RANGE	SCALE	ROCKWELL HARDNESS
BHO	25&31	15N	77-82
	37-102	30N	54-62
	106& over	C	34-43

TABLE 3: HARDNESS RANGES-ROTOR CLIP  
CARBON STEEL RINGS (SAE 1060-1090)

RING	SIZE RANGE	SCALE	ROCKWELL HARDNESS
BHO	25&31	15N	86-88
	37-51	30N	69.5-73
	56-77	30N	67.5-72
	81-102	30N	66-71
	106&over	C	47-52