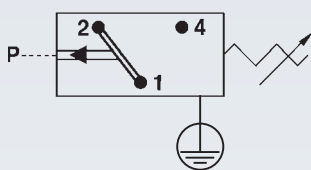
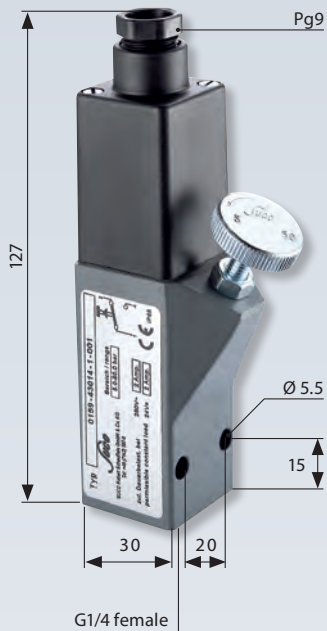


M.7

30 A/F

hidra[matic]

Downloaded from: [www.hidramatic.com](http://www.hidramatic.com)



# 0159

Diaphragm / piston pressure switch up to 250 V

- Aluminium housing
- Changeover with silver contacts
- Overpressure safety up to 200 / 600 bar<sup>1)</sup>
- Switching point continuously adjustable by turning knurled screw whilst system in operation

p <sub>max.</sub> in bar	Adjustment range in bar	Tolerance in bar at room temperature	Thread	Order number:
-----------------------------	----------------------------	---	--------	---------------

With female thread

### 0159 Diaphragm pressure switches

200 <sup>1)</sup>	0.2 – 2	± 0.2 – 0.3	G 1/4 female	0159 – 426 14 – X – 001
	0.5 – 5	± 0.2 – 0.5		0159 – 427 14 – X – 001
	1 – 10	± 0.5		0159 – 428 14 – X – 001
	2 – 20	± 1.0		0159 – 429 14 – X – 001
	5 – 50	± 3.0		0159 – 430 14 – X – 001
	10 – 100	± 3.0 – 5.0		0159 – 431 14 – X – 001

### 0159 Piston pressure switches

600 <sup>1)</sup>	10 – 100	± 3.0 – 5.0	G 1/4 female	0159 – 432 14 – X – 001
	25 – 250	± 5.0 – 7.0		0159 – 433 14 – X – 001
	40 – 400	± 5.0 – 9.0		0159 – 434 14 – X – 001

### Seal material – Application areas

NBR	Hydraulic/machine oil, heating oil, air, nitrogen, etc.	1
EPDM	Brake fluid, hydrogen, oxygen, acetylene, etc.	2
FKM	Hydraulic fluids (HFA, HFB, HFD), petrol/gasoline, etc.	3

Refer to page 75 for the temperature range and application thresholds of sealing materials



Your order number: **0159 – XXX 14 – X – XXX**



<sup>1)</sup> Static value. Dynamic value is 30-50 % lower. Values pertain to the hydraulic/pneumatic part of the pressure switch.



- Attachment options for wall fitting and block style enable clearly structured, accessible, easy-maintenance installation
- Switching pressure can be adjusted easily by user
- High overpressure safety
- Socket devices enable simple installation on the machine

# Pressure switches 30 A/F

## Technical data

M.7

30 A/F



hidra[matic]

Downloaded from: [www.hidramatic.com](http://www.hidramatic.com)

Temperature resistance of sealing materials:	NBR	-40 °C ... +100 °C
	EPDM	-30 °C ... +120 °C
	FKM (in diaphragm pressure switch)	-5 °C ... +120 °C
	FKM (in piston pressure switch)	-15 °C ... +120 °C
Switching frequency:	200 / min.	
Mechanical life expectancy:	1,000,000 cycles (for diaphragm pressure switches, life expectancy value only applies for switching pressures up to 50 bar)	
Pressure rise rate:	≤ 1 bar / ms	
Hysteresis:	Typ 0159:	approx. 10 ... 30 % (not adjustable)
	Typ 0161, 0162, 0175:	approx. 10 ... 30 % (factory adjustable)
Vibration resistance:	10 g; 5 ... 200 Hz sine wave; DIN EN 60068-2-6	
Shock resistance:	294 m/s <sup>2</sup> ; 14 ms half sine wave; DIN EN 60068-2-27	
Housing material:	Aluminium	
Protection class:	IP65 with Socket device fitted	
Weight:	Typ 0159, 0161, 0162:	approx. 240 g
	Typ 0175:	approx. 310 g

Electrical values	0159	0161 / 0162 / 0175
Rated working voltage $U_e$	Rated working current $I_e$	
250 VAC 50 / 60 Hz, AC 12	2.5 A	5 A
250 VAC 50 / 60 Hz, AC 14	1 A	1 A
24 VDC, DC 12/DC 13	2/2 A	3.5/3.5 A
50 VDC, DC 12/DC 13	1/0.5 A	2/1 A
75 VDC, DC 12/DC 13	0.75/0.4 A	1/0.5 A
125 VDC, DC 12/DC 13	0.3/0.2 A	0.3/0.2 A
250 VDC, DC 12/DC 13	0.3/0.2 A	0.25/0.2 A
Rated insulation voltage $U_i$ :	300 V	
Rated impulse withstand voltage $U_{imp}$ :	2.5 kV	
Conventional thermal current $I_{the}$ :	6 A	
Switching overvoltage:	< 2.5 kV	
Rated frequency:	DC and 50/60 Hz	
Nominal current of short-circuit mechanism:	to 2.5 A	to 6.3 A
Conditional short-circuit current:	< 350 A	
Tightening torque of terminal screws:	< 0.35 Nm	
Connector cross-section:	0.5 – 1.5 mm <sup>2</sup>	



M