

Characteristics to VDI 3290		Pressures quoted as gauge pressure	
Characteristics	Symbol	Unit	Description
<b>General Features</b>			
System			Poppet valve
Mounting			2 screws M4
Tube connection			Thread
Port size			G1/8
Weight (mass)		kg	0.07
Installation			In any position
Ambient temperature range	$\vartheta_{\min}$ $\vartheta_{\max}$	°C °C	-10 +55
Medium temperature range	$\vartheta_{\min}$ $\vartheta_{\max}$	°C °C	+5* +60
Medium			Filtered and lubricated or filtered and unlubricated air
Lubrication			None or oil mist lubrication
<b>Pneumatic Characteristics</b>			
Nominal pressure	$p_n$	bar	6
Operating pressure range	$p_{\min}$ $p_{\max}$	bar bar	0 10
Nominal flow	$Q_N$	l/min	350
Flow direction			1→2 normally closed 3→2 normally open
<b>Actuation</b>			
Mechanical			Direct, cam operated
Stroke		mm	1.5-3
Actuating force	$F_b$	N	11

\* -10 °C when using dry compressed air

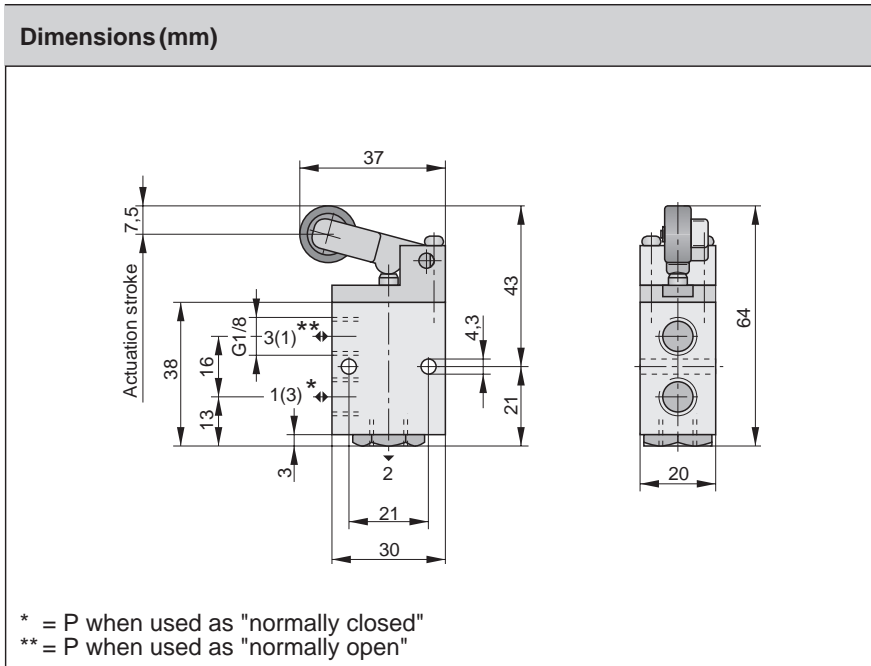
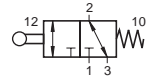
# 3/2 Way Valve

## G1/8

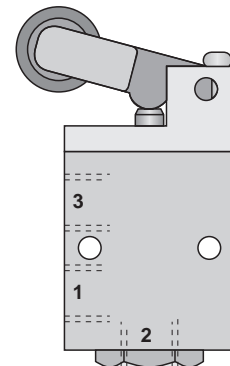
**Actuation: Cam operation**

**Series K9**

**K9 321RF-1/8**



Non-overlapping poppet valve with low actuating force and short response time. Applicable as normally closed or normally open valve (see drawing).



For product group list see 3.19.001E  
For data sheets see 3.19.002E-3.19.010E

Order Instruction: K9 321RF-1/8 PA 10272

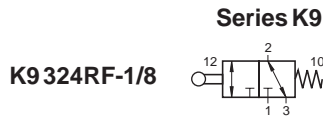
Data Sheet No. 3.19.005E



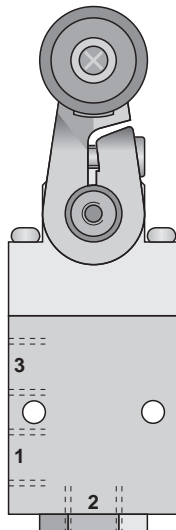
# 3/2 Way Valve

## G1/8

**Actuation:**  
Toggle cam operated



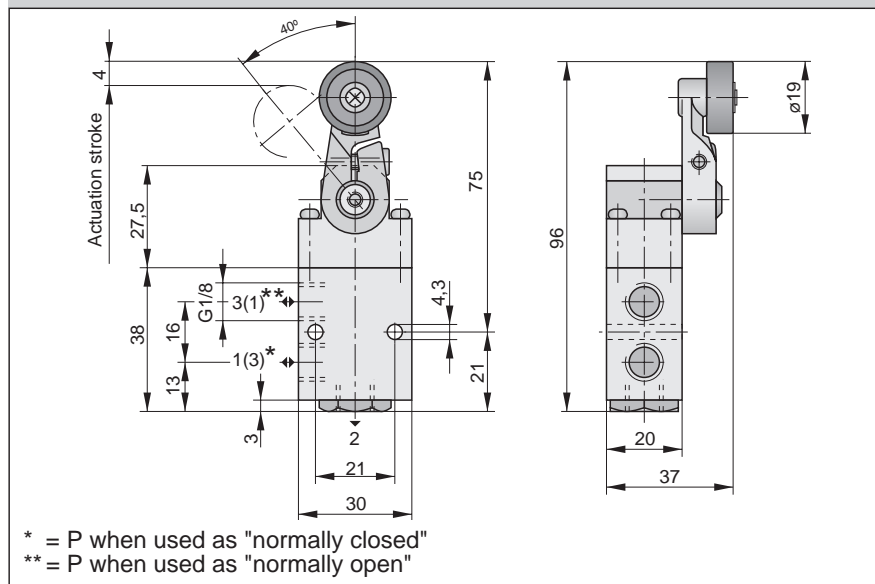
Non-overlapping poppet valve with low actuating force and short response time.  
Applicable as normally closed or normally open valve (see drawing).



Characteristics to VDI 3290			Pressures quoted as gauge pressure	
Characteristics	Symbol	Unit	Description	
<b>General Features</b>				
System			Poppet valve	
Mounting			2 screws M4	
Tube connection			Thread	
Port size			G1/8	
Weight (mass)		kg	0.12	
Installation			In any position	
Ambient temperature range	$\vartheta_{\min}$ $\vartheta_{\max}$	°C °C	-10 +55	Note: When using below freezing point (°C) it is necessary to consult us
Medium temperature range	$\vartheta_{\min}$ $\vartheta_{\max}$	°C °C	+5* +60	
Medium			Filtered and lubricated or filtered and unlubricated air	
Lubrication			None or oil mist lubrication	
<b>Pneumatic Characteristics</b>				
Nominal pressure	$p_n$	bar	6	
Operating pressure range	$p_{\min}$ $p_{\max}$	bar bar	0 10	
Nominal flow	$Q_N$	l/min	350	
Flow direction			1→2 normally closed 3→2 normally open	
<b>Actuation</b>				
Mechanical			Direct, toggle cam operated	
Stroke		mm	1.5-3	
Angle of rotation	$\alpha$		±40°	
Actuating force	$F_b$	N	5	

\* -10 °C when using dry compressed air

### Dimensions (mm)



For product group list see 3.19.001E  
For data sheets see 3.19.002E-3.19.010E

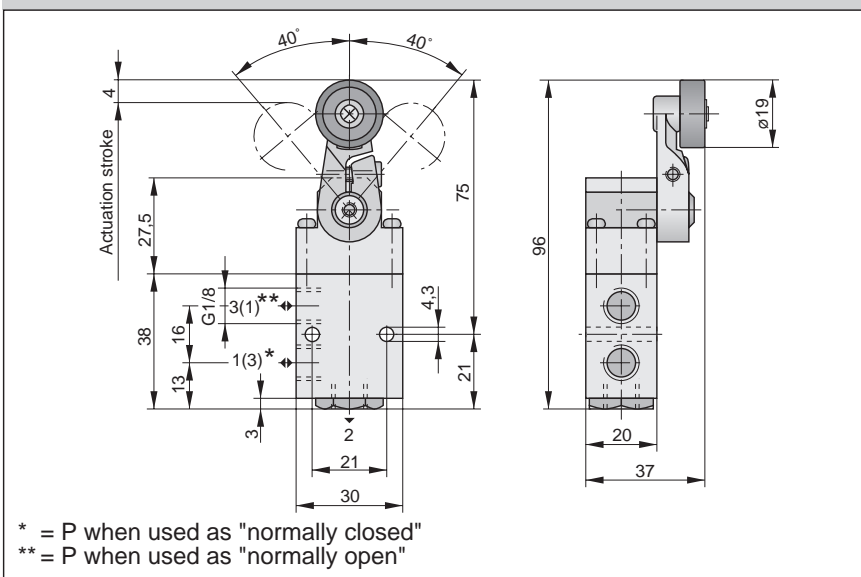
Order Instruction: K9 324RF-1/8 PA 10273

Data Sheet No. 3.19.006E

Characteristics to VDI 3290		Pressures quoted as gauge pressure	
Characteristics	Symbol	Unit	Description
<b>General Features</b>			
System			Poppet valve
Mounting			2 screws M4
Tube connection			Thread
Port size			G1/8
Weight (mass)		kg	0.12
Installation			In any position
Ambient temperature range	$\vartheta_{\min}$ $\vartheta_{\max}$	°C °C	-10 +55 Note: When using below freezing
Medium temperature range	$\vartheta_{\min}$ $\vartheta_{\max}$	°C °C	+5* +60 point (°C) it is necessary to consult us
Medium			Filtered and lubricated or filtered and unlubricated air
Lubrication			None or oil mist lubrication
<b>Pneumatic Characteristics</b>			
Nominal pressure	$p_n$	bar	6
Operating pressure range	$p_{\min}$ $p_{\max}$	bar bar	0 10
Nominal flow	$Q_N$	l/min	350
Flow direction			1→2 normally closed 3→2 normally open
<b>Actuation</b>			
Mechanical			Direct cam operated, free cam left cam operated, free cam right
Stroke		mm	1.5-3
Angle of rotation	$\alpha$		±40°
Actuating force	$F_b$	N	5

\* -10 °C when using dry compressed air

**Dimensions (mm)**



For product group list see 3.19.001E  
For data sheets see 3.19.002E-3.19.010E

Order Instructions: K9 325RF-1/8 PA 10274 (free cam left)  
K9 326RF-1/8 PA 10275 (free cam right)

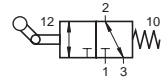
# 3/2 Way Valve

## G1/8

**Actuation:**  
Cam operated, free cam left  
Cam operated, free cam right

**Series K9**

K9 325RF-1/8  
K9 326RF-1/8



Non-overlapping poppet valve with low actuating force and short response time. Applicable as normally closed or normally open valve (see drawing).

