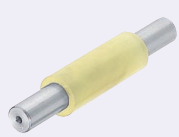



Urethane Rollers with Shafts

Urethane Thickness Configurable

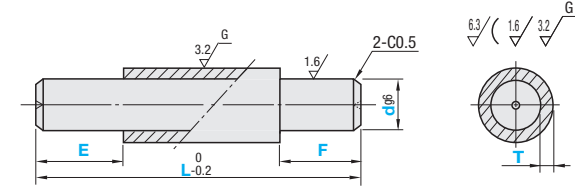
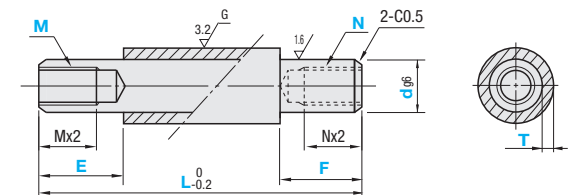



■ Straight

Type	Material Shaft	Material Lining	Hardness
USRH	1045 Carbon Steel	Urethane (Natural Color)	Shore A90
USRM	304 Stainless Steel	Urethane (Natural Color)	Shore A70
USSRH	304 Stainless Steel	Urethane (Natural Color)	Shore A90

■ Both Ends Tapped

Type	Material Shaft	Material Lining	Hardness
USRWH	1045 Carbon Steel	Urethane (Natural Color)	Shore A90

RoHS Ⓢ Urethane is baked on the outer circumference of the core material.

Part Number	Type	d	T 1mm Increment	L 1mm Increment	E, F 1mm Increment	Both Ends Tapped		
						M (Coarse)	N (Coarse)	
Straight USRH USRM USSRH	Both Ends Tapped USRWH	8	2~5	50~200	5 ≤ E < L/2 5 ≤ F < L/2	3	4	5
		10				4	5	6
		12				5	6	8
		15				5	6	8 10

Ordering Example

(Straight) **USRH10** - 2 - 195 - E10 - F10 - M - N

(Both Ends Tapped) **USRWH10** - 2 - 195 - E10 - F10 - M5 - N6

Days to Ship [Configure Online](#)

Price [Configure Online](#)

■ Straight

d	Unit Price														
	USRH					USRM					USSRH				
	L50 ~100	L101 ~150	L151 ~200	L201 ~250	L251 ~300	L50 ~100	L101 ~150	L151 ~200	L201 ~250	L251 ~300	L50 ~100	L101 ~150	L151 ~200	L201 ~250	L251 ~300
8															
10															
12															
15															


■ Both Ends Tapped

d	Unit Price				
	USRWH				
	L50 ~100	L101 ~150	L151 ~200	L201 ~250	L251 ~300
8					
10					
12					
15					

Urethane Molded Bearings

Inner Wheel Protruded

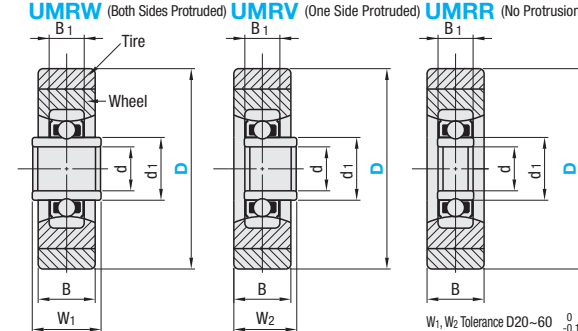
■ Urethane Molded Bearings - Inner Wheel Protruded (For Light Load)



RoHS

■ For Light Load

UMRW (Both Sides Protruded) **UMRV** (One Side Protruded) **UMR** (No Protrusion)




Operating Temperature Range: -20°C~40°C

W1, W2 Tolerance D20~60 $\begin{matrix} 0 \\ -0.12 \\ 0 \\ -0.15 \end{matrix}$
D65~80 $\begin{matrix} 0 \\ -0.12 \\ 0 \\ -0.15 \end{matrix}$

Material	
Tire Section	Thermoplastic Ether Type Urethane (Black, Shore A95)
Wheel Section	Thermoplastic Lactone Type Urethane (Black)
Bearing	Outer Ring, Inner Ring, Balls: S2100 Bearing Steel Shield: Rubber

Ⓢ The structure of D20 to D35 is single layer (only for tire section).

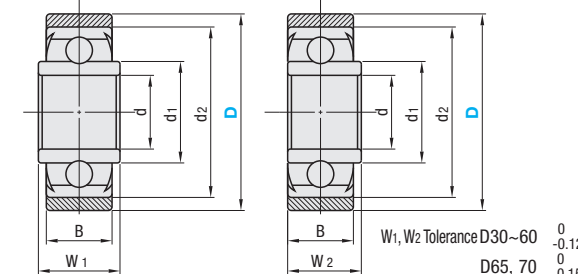
■ Urethane Molded Bearings - Inner Wheel Protruded (For Heavy Load)



RoHS

■ For Heavy Load

UMRHW (Both Sides Protruded) **UMRHV** (One Side Protruded)



Operating Temperature Range: -20°C~40°C

W1, W2 Tolerance D30~60 $\begin{matrix} 0 \\ -0.12 \\ 0 \\ -0.15 \end{matrix}$
D65, 70 $\begin{matrix} 0 \\ -0.12 \\ 0 \\ -0.15 \end{matrix}$

Material	
Tire Section	Thermosetting Ether Type Urethane (Brown, Shore A95)
Bearing	Outer Ring, Inner Ring, Balls: S2100 Bearing Steel Shield: Steel

■ For Light Load

Part Number	Type	d	d Tolerance			d1	B	B1	W1	W2	Allowable Load N (Reference Value)	Mass (g)			Unit Price			
			UMRW, UMRV	UMRR								UMRW	UMRV	UMRR	UMRW	UMRV	UMRR	
20	UMRW (Both Sides Protruded)	20	0	0	-0.008	8.6	8	5	11	9.5	55	7	6	5				
		25	-0.02			9.3	9	6	12	10.5	79	12	11	10				
		30	-0.04			12	11	7	15	13	108	21	19	17				
		35				14	12	8	16	14	147	24	22	20				
		40				10	14	10	18	16	196	34	32	30				
50	UMRV (One Side Protruded)	50	+0.005	-0.012	18.3 (16.8)	14	10	18	16	245	60	55	50					
		55			21.6 (20.0)	15	11	19	17	314	82	76	70					
		60			24.6 (23.0)	16	12	20	18	343	90	83	77					
		65			29.3 (27.6)	17	12	20	18	392	120	112	104					
		70			44.1	130	121	113										
80	UMRR (No Protrusion)	75	0	-0.01	29.3 (27.6)	18	14	22	20	510	188	175	164					
		80			589	199	187	176										

Ⓢ () of d1 dimension is applicable to UMR.

■ For Heavy Load

Part Number	Type	D	d	d Tolerance	d1	d2	B	W1	W2	Allowable Load N (Reference Value)	Mass (g)		Unit Price	
											UMRHW	UMRHV	UMRHW	UMRHV
30	UMRHW (Both Sides Protruded)	30	8	0	-0.04	12.0	22	11	15	13	303	24	23	
		35									347	28	27	
		40									474	62	59	
		45									579	78	75	
		50									660	84	82	
55	UMRHV (One Side Protruded)	55	20	+0.005	-0.012	29.3	47	18	22	20	794	157	151	
		60									829	167	162	
		65									918	199	191	
		70									1050	210	202	

Ⓢ kgf=Nx0.101972

Ordering Example

Part Number
UMRW40
UMRHV55

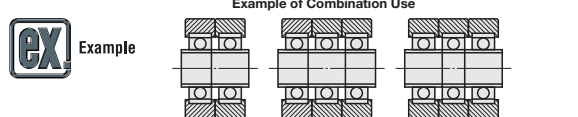
Days to Ship [Configure Online](#)

Price [Configure Online](#)

■ Feature

- As the bearing inner rings protrude, there is no need to combine stepped shafts or collars for mounting.
- The urethane section is of a tire and wheel layered construction (Except for D20~D35 are single layer). Economical small diameter shafts can be used even for large diameter rollers.
- The bearings used have special configuration to prevent the urethane from detaching.
- Though it excels in oil resistance, applying solvents may cause swelling and reduction in strength.

Example of Combination Use



ex Example