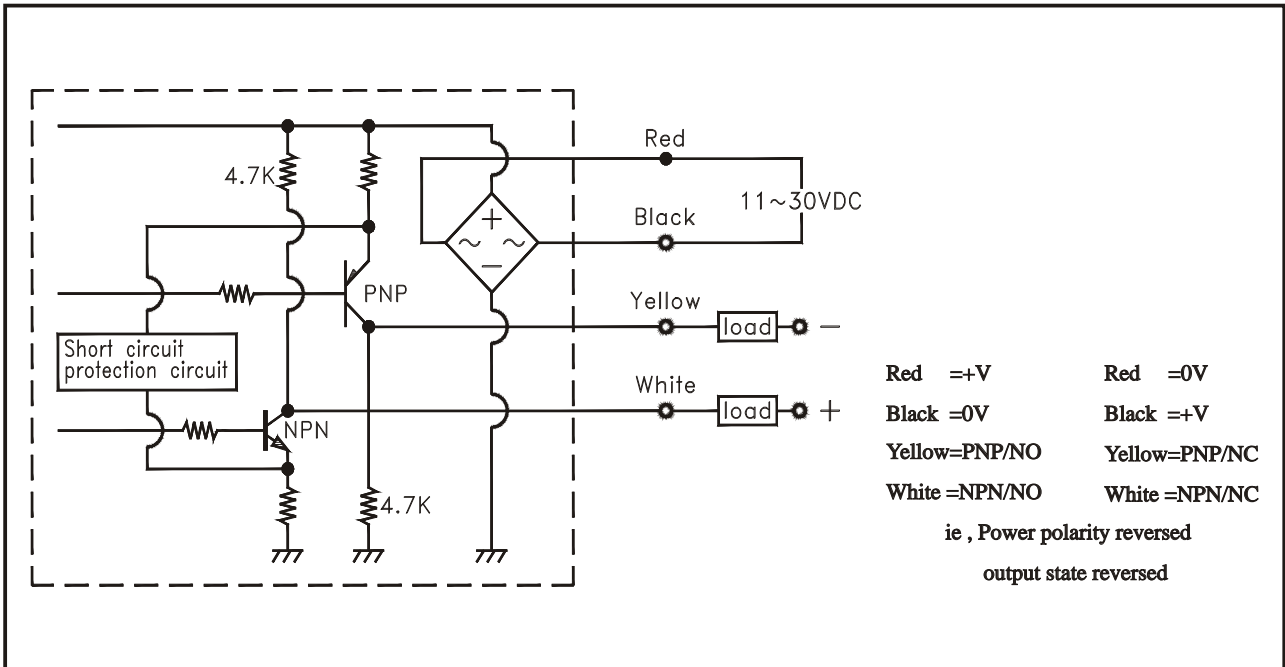


## ■ Specification

Type	High Speed Type	Standard Type		
Model	FM-01R FM-01G	FM-01PR FM-01PG	FM-03R FM-03G	FM-10R
Setting Distance	15.0mm	12.0mm	32.0mm	100.0mm
Light Spot	1.0φ	2.0φ		
Response Time	0.25ms	2ms		
Sensitivity Adjuster	270° Trimmer			
Operating Voltage	11~30 VDC ; Ripple < 20% of Peak to Peak			
Current Consumption	45mA max.	30mA max.		
Light Source	G : Green Led ; R : Red Led			
Hysteresis	5% of Sensing Distance			
Illumination	Lamplight < 5,000 Lux ; Sunlight < 10,000 Lux.			
Output Method	NPN & PNP Two Way Output			
Output Status	NO / NC Changeable			
Output Current	150mA max.			
Leakage Current	0.8mA max.			
Residual Voltage	0.8V max.			
Protection Circuit	Short Circuit & Polarity Reversed Protection			
Connection Method	4 Cores / 5.0φ X 2m			
Housing Material	PBT			
Operating Temp./Hum.	-20° C~+60 C°; 35%~85%RH			
Protection Class	IP-65			
Weight	Appr. 105g			

## Output Circuit & Connection Diagram



## Dimension

