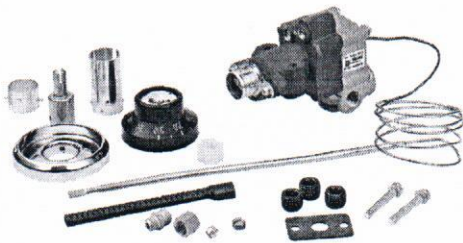




COOKING

Robertshaw®



4350-028



4590-705

GAS THERMOSTATS

4350 Series

The Robertshaw® 4350 Series Gas Thermostat is a combination gas cock and by-pass type thermostat. It is available with both by-pass and pilot adjustments. With these thermostats, the gas is turned on and the temperature setting made with a single turn of the dial. The 4350 Series is available for a wide variety of applications, especially ranges and griddles.

Features and Benefits

- Highly adaptable because of multiple orientations and number of outlets
- Mounted, via flange nipple, above or below the manifold
- Available with various temperature ranges
- Front adjustment for pilot and by-pass
- Modulating seat action
- Bulb and capillary available in copper, nickel plated copper and stainless steel

Specifications

Part Numbers	Description	Max Inlet Pressure	Main Outlet Size	Main Outlet Position	Housing Rotated	Pilot Outlet	Flange Type	Capillary Length	Sensing Bulb	Capacity (Natural Gas)	Temperature Range
4350-015	BJWA Control for Ovens	0.5 PSI	1/4" Pipe	B	180°	Plug	Narrow	48"	3/16" x 11-3/16"	70,000 BTU/HR	250°F to 500°F (121°C to 260°C)
4350-027	BJWA Kit for Ovens	0.5 PSI	1/4" Pipe	A, B, C, D	No	Yes	Wide	48"	3/16" x 11-3/16"	70,000 BTU/HR	250°F to 550°F (121°C to 288°C)
4350-028	BJWA Kit for Griddles	0.5 PSI	1/4" Pipe	A, B, C, D	No	Yes	Wide	36"	3/16" x 8-5/8"	70,000 BTU/HR	150°F to 400°F (66°C to 205°C)
4350-029	BJWA Kit for Ovens	0.5 PSI	7/16" Tubing	C	No	Yes	Wide	48"	3/16" x 11-3/16"	70,000 BTU/HR	250°F to 550°F (121°C to 288°C)
4350-040	BJWA Control for Ovens	0.5 PSI	1/4" Pipe	D	90° Clockwise	Plug	Narrow	48"	3/16" x 11-3/16"	70,000 BTU/HR	250°F to 550°F (121°C to 288°C)
4350-127	BJWA Kit for Ovens	0.5 PSI	1/4" Pipe	A, B, C, D	180°	No	Wide	48"	3/16" x 11-3/16"	70,000 BTU/HR	250°F to 550°F (121°C to 288°C)
4350-128	BJWA Kit for Griddles	0.5 PSI	1/4" Pipe	A, B, C, D	180°	No	Wide	48"	3/16" x 8-5/8"	70,000 BTU/HR	150°F to 400°F (66°C to 205°C)

Accessories

Part Numbers	Description
4590-705	BJ Stem Extension (Package of 6)

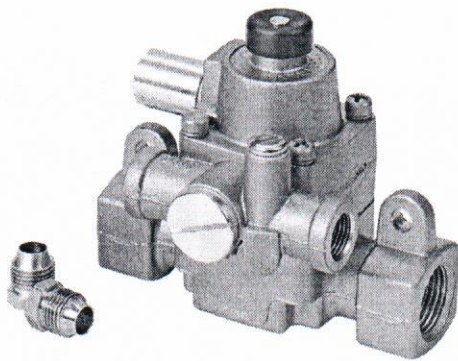




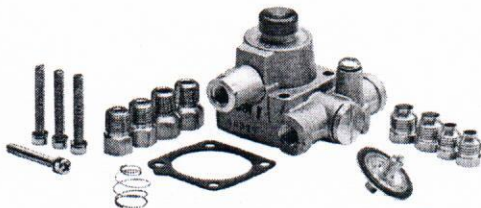
COOKING

Robertshaw®

GAS VALVES - THERMOMAGNETIC SAFETY



1720-004



1720-801

1720 Series

The Robertshaw® 1720 Series Thermomagnetic Safety Valve is a control used to cut off the flow of gas to the burner in the event of a pilot outage. The magnet assembly is energized by voltage generated by a thermocouple that is heated by the pilot flame. When this flame is extinguished, the thermocouple voltage decreases until a spring overcomes the magnetic force and closes off both the pilot and main gas. This control can be used for commercial and residential ovens, infrared heaters, chicken and pig brooders, recreational vehicle gas appliances and many more applications requiring automatic safety valves.

Features and Benefits

- 300°F (149°C) ambient temperature rated and 350°F (177°C) versions available
- J models available with separate pilot inlet/outlet tube connections
- K models are pilot outlet only
- Compatible with other Robertshaw models such as the BJWA, FD, and GS series thermostats
- RoHS compliant

Specifications

Part Numbers	Description	Body Inlet & Outlet	Head Pilot Inlet & Outlet	Ambient Temperature	Max Pressure
1720-004	TS11J Complete Magnet and Body Assembly	7/16" Tube	1/4" Tube	32°F to 300°F (0°C to 149°C)	0.5 PSI
1720-005	TS11J Complete Magnet and Body Assembly	1/4" Pipe	3/16" Tube	32°F to 300°F (0°C to 149°C)	0.5 PSI
1720-007	TS11J Complete Magnet and Body Assembly	1/2" Pipe	1/4" Tube	32°F to 300°F (0°C to 149°C)	0.5 PSI
1720-008	TS11J Complete Magnet and Body Assembly	1/4" Pipe	1/4" Tube	32°F to 300°F (0°C to 149°C)	0.5 PSI
1720-801	TS11J J Magnet Head Only - Inlet and Outlet	NA	Kit, 1/8" Pipe, 3/16" Tubing, 1/4" Tubing	32°F to 300°F (0°C to 149°C)	0.5 PSI
1720-802	TS11K K Magnet Head Only - Outlet Only	NA	Kit, 1/8" Pipe, 3/16" Tubing, 1/4" Tubing	32°F to 300°F (0°C to 149°C)	0.5 PSI



A28

www.robertshaw.com

Customer Service 1.800.304.6563