



Gas spring, Standard

Note:

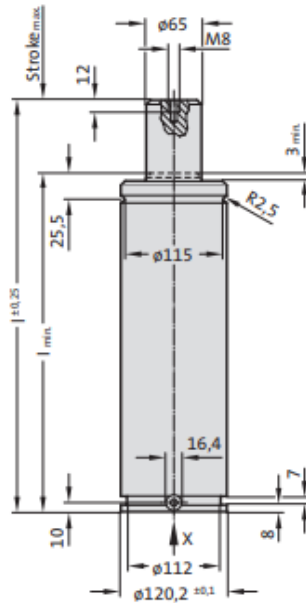
Initial spring force at 150 bar = 5000 daN

Order No for spare parts kit: 2480.13.05000
Order No for spare parts kit: to Renault standard EM24.54.700 2480.13.05000.R
Gas spring to Renault standard EM24.54.700
Order No (example): 2480.13.05000..R

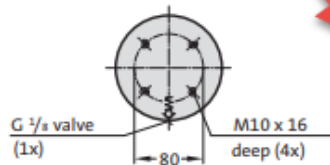
1) Special stroke lengths
Not for gas springs to Renault Standard EM24.54.700.

Pressure medium: Nitrogen N₂
Max. filling pressure: 150 bar
Min. filling pressure: 25 bar
Working temperature: 0°C to +80°C
Temperature related force increase: ± 0.3%/°C
Max. recommended extensions per minute: approx. 15 to 40 (at 20°C)
Max. piston speed: 1.6 m/s
for 2480.R: 2.0 m/s

2480.13.05000.



View X - Gas spring



2480.13.05000.

Gas spring, Standard

Order No	Stroke _{max}	l _{min}	l
2480.13.05000.025	25	165	190
2480.13.05000.038	38.1	178.1	216.7
2480.13.05000.050	50	190	240
2480.13.05000.063	63.3	205.3	267
2480.13.05000.075	75	215	290
2480.13.05000.080	80	220	300
2480.13.05000.088	87.5	227.5	315
2480.13.05000.100	100	240	340
2480.13.05000.113	112.5	252.5	365
2480.13.05000.125	125	265	390
2480.13.05000.138	137.5	277.5	415
2480.13.05000.150	150	290	440
2480.13.05000.160	160	300	460
2480.13.05000.175	175	315	490
2480.13.05000.200	200	340	540
2480.13.05000.225	225	365	590
2480.13.05000.250	250	390	640
2480.13.05000.275	275	415	690
2480.13.05000.300	300	440	740

2200	Gas Spring	4	2480.13.00500.050	Fibro
------	------------	---	-------------------	-------