

MEG-1000

Insulation resistance meter



Description

- Does not need an auxiliary power supply
- DIN box, with dimensions: 96x96
- Class 1.5
- Neutral insulated or impedance systems (IT network)

Application

MEG-1000 measures and controls the insulation resistance between phase and earth in a neutral insulated or impedance line (IT), with the use of relays. The insulation resistance can be displayed with a galvanometric indicator located on the front of the unit.

To carry out the measurements, the unit applies a continuous voltage of 24 V between the phase and earth, measuring the leakage current circulating through the network insulation resistors. This current determines the insulation resistance.

The unit has two timed output relays, one acts as the maximum (triggered when the insulation resistance is lower than a determined value). In both relays, the trip point and connection delay time can be adjusted with potentiometers located on the back of the unit.

When the insulation resistor is within the maximum and minimum values defined with the potentiometers, the NORMAL LED will be lit on the front panel. When the resistor is out of the margins defined, either exceeding or not reaching the normal levels, the ALARM LED will be lit on the front panel.

Features

Input circuit	
Consumption	5 V·A
Frequency	20 ... 100 Hz
Overloads	1.2 U_n permanent
	2 U_n during 5s
Accuracy	1.5 % FS
Ambient conditions	
Operating temperature	+ 10 ... +30 °C
Limit temperature	- 25 ... + 40 °C
Altitude	2000 m
Build features	
Dimensions	See the following table
Weight	See the following table
Type of box	panel
Terminal protection degree	IP 00
Box protection degree	IP 52
Weight	0.35 kg
Insulation voltage	2 kV, during 1 min, between the mechanism and the box
Standards	
BS 89, EN 60051, IEC 144, UL 94, DIN 43780, IEC 51, UNE 21318	


MEG-1000

Insulation resistance meter

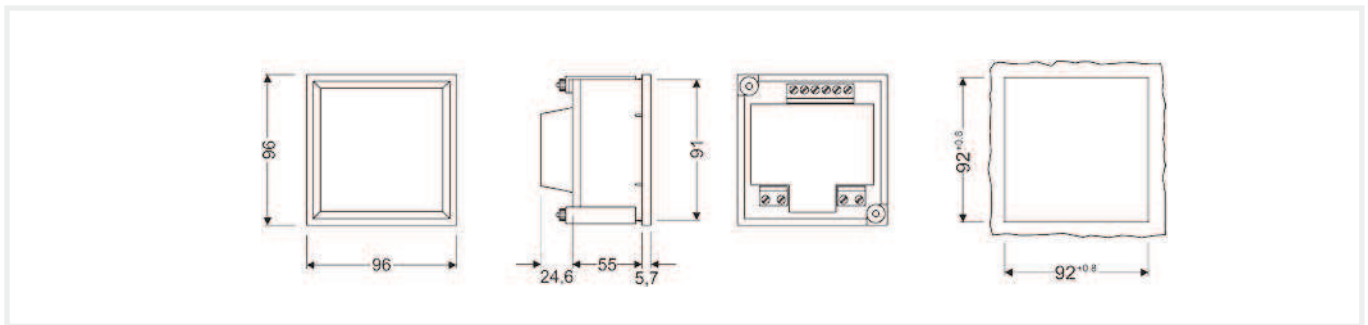


References



Type	MEG-1000
Class	1,5
Scale	90 °
Frequency	50 ... 60 Hz
Dimensions (mm)	
 a	96
b	96
c	73,8
Weight (g)	0,708
Ω (double scale)	0 ... 500 kΩ 0.5 ... 5 MΩ
Code	M15051

Dimensions



Connections

