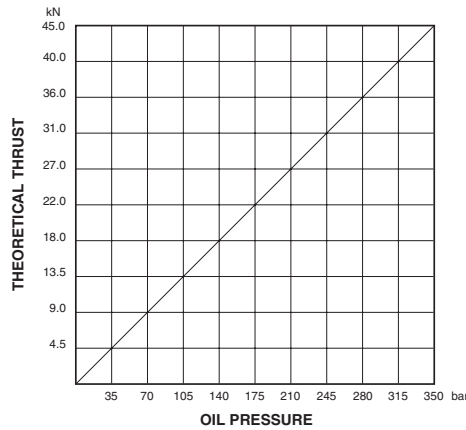


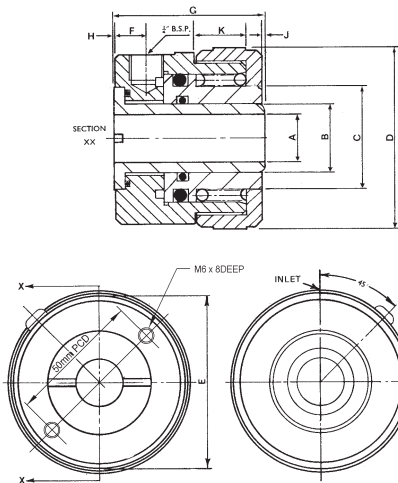
**PowRlock®
OpenRam Head**

Technical Information

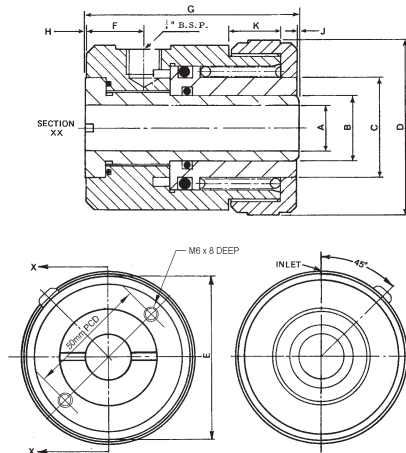
All ports are 1/4" BSP



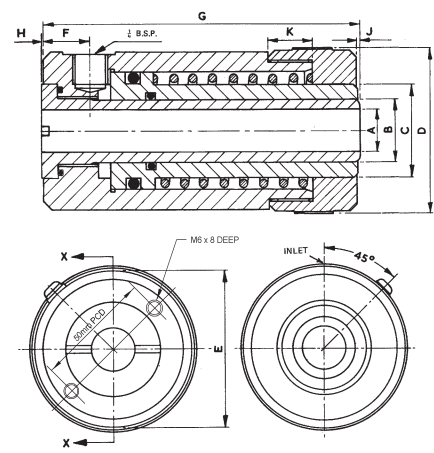
To calculate thrust per head obtain system oil pressure from booster data sheet (inside front cover) and read off from graph.



SF-3100MF



SF-3200MF



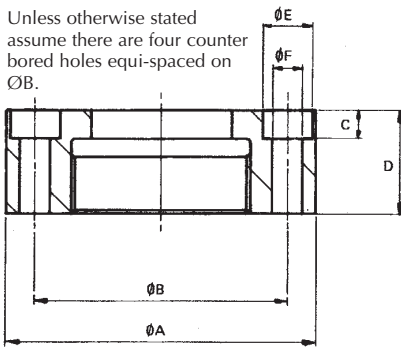
SF-3300MF

Stroke*		Effective Area cm ²	Swept Volume		Dimensions in mm										Weight		WDS No	Seal Kit No
With Spring mm	Without Spring mm		With Spring cm ³	Without Spring cm ³	A	B	C	D	E	F	G	H	J	K	With Spring kg	Without Spring kg		
7.87	18.03	12.77	10.49	22.94	17.46	25.4	38.1	66.68	63.5	11.11	55.56	0.25	0.76	19.84	0.91	0.86	SF-3100MF	SF-3199
15.75	31.24	12.77	20.48	39.98	17.46	25.4	38.1	66.68	63.5	22.23	82.55	0.25	0.76	19.84	1.5	1.45	SF-3200MF	SF-3199
38.1	63.5	12.77	48.68	81.12	17.46	25.4	38.1	66.68	63.5	19.05	127.8	0.25	0.76	17.46	2.61	2.5	SF-3300MF	SF-3199

* Do not exceed Maximum Stroke

Mounting: To include these heads in a fixture it is only necessary to mount them over 16mm dia. studs or bolts via the hole through the centre of each head.

Unless otherwise stated assume there are four counter bored holes equi-spaced on ØB.



OPTIONAL VARIATIONS FOR STANDARD TYPE 3100MF/3200MF/3300MF OPENRAM

Part No SF-3100FL/SF-3200FL/SF-3300FL – Front flange mounting (circular) instead of screwed cap.

Dimensions in mm						Flange No.
A	B	C	D	E	F	
95.2	77.8	8.4	25.4	14.3	8.7	SF-3101FL
95.2	77.8	8.4	25.4	14.3	8.7	SF-3201FL
95.2	77.8	8.4	35.6	14.3	8.7	SF-3301FL

Ordering Information

Tel: 0845 606 6677 • Fax: 0845 601 1173

Order online at www.spencerfranklin.com • E-mail: sales@wdsLtd.co.uk

Spencer Franklin - WDS • Richardshaw Road • Grangefield Industrial Estate • Pudsey • Leeds LS28 6LE

If you can't find what you are looking for still call us. We also manufacture 'Specials'