

771XS VALVE WITH UM ELECTRIC ACTUATOR

CHARACTERISTICS

The 771XS+ UM ball valve is dedicated to the automatic opening / shut-off of unloaded industrial fluids below a 16 bar pressure. Its compact “wafer” design enables a lighter installation compared with the traditional “flanged” design. This full bore ball valve is certified according to the ATEX and EC standards. The ISO pad 5211 enables the direct mounting of the UM electric actuator. It is perfectly adapted for an indoor or outdoor service (under shelter).

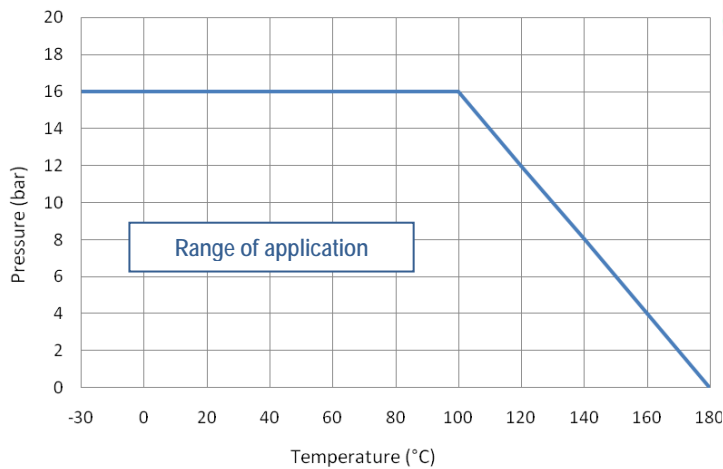


AVAILABLE ITEMS

1.4408 stainless steel (A351 CF8M) body
 DN 15 to 100
 Flanged connections RF PN16
 Voltages 24 V AC, 24 V DC and 230 V AC

LIMITS OF USE

Max. allowable pressure (PS)	16 bar (20° C)
Min./max. allowable temperature (TS)	-30 °C / +180 °C
Room temperature	-10 °C / +50 °C
Service	S4 – 30% - 10 starts/h



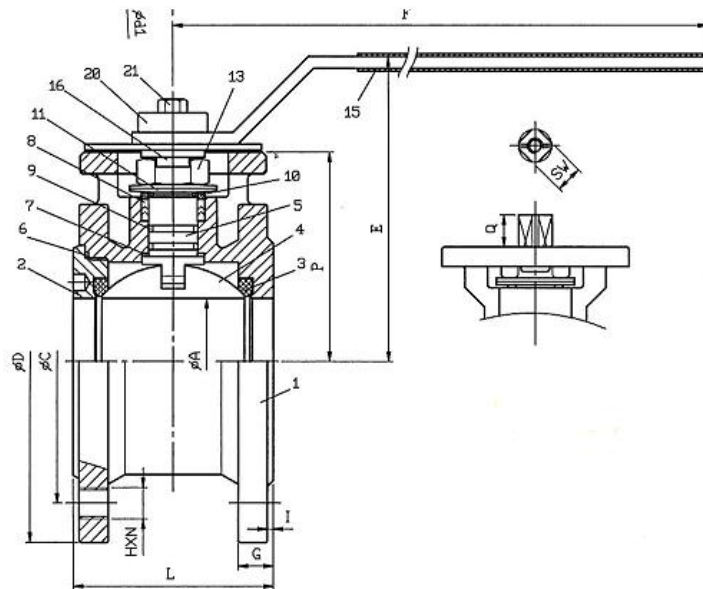
DIRECTIVES AND DEVELOPMENT STANDARDS APPLICABLE

	Standard	Notified bodies		Standard
97/23/EC Pressure Equipment Directive	DN 15 and 20 : excluded		Valve testing	EN 12266
	DN 25 to 100 : category III	TÜV #0035	Material certificate	EN 10204
Size	EN 12516-1		Actuator attachment	ISO 5211
Alloy grade	EN 1503-1			

771XS VALVE WITH UM ELECTRIC ACTUATOR

CONSTRUCTION

#	Item	Material	#	Item	Material
1	Body	Stainless steel A351 CF8M/1.4408	12	Lever	Stainless steel 304
2	Flanges	Stainless steel A351 CF8M/1.4408	13	Lever nut	Stainless steel 304
3	Seats	PTFE+15% Graphite	14	End stop	Stainless steel 304
4	Ball	Stainless steel 316	15	Plastic sleeve	PVC
5	Stem	Stainless steel 316	16	Locking system	Stainless steel 304
6	Body gasket	PTFE	17	Spring	Stainless steel 316
7	Top body gasket	PTFE+15% GF	18	Antistatic device	Stainless steel 316
8	Gland packing	PTFE	19	End stop plate	Stainless steel 304
9	O-ring	FKM	20	Spacer	Stainless steel 304
10	Spacer	Stainless steel 304	21	Screw	Stainless steel 304
11	Belleville spring washer	Stainless steel 301			



DIMENSIONS (mm)

DN	15	20	25	32	40	50	65	80	100
A	16	20	25	32	40	50	65	80	96
C	65	75	85	100	110	125	145	160	180
D	95	105	115	140	150	165	185	200	220
E	89	89	101	112	116	125	154	165	180
F	114	114	187	187	222	222	350	350	350
G	14	16	16	16	16	18	18	20	20
H x N	M12x4	M12x4	M12x4	M16x4	M16x4	M16x4	M16x4	M16x8	M16x8
L	42	44	50	54	68	82	103	122	152
I	2	2	2	2	3	3	3	3	3
P	54	56	62.5	72	78	87.2	107	117.3	132.3
Weight (kg)	1.45	1.92	2.60	3.70	4.65	6.45	10.25	13.55	19.85

771XS VALVE WITH UM ELECTRIC ACTUATOR

ACTUATION WITH UM

Suggested standard UM actuation under the following conditions:

- Electric actuator with an IP 65 plastic enclosure and steel gears
- A minimum 1.3 safety factor compared with the valve nominal torque rating,
- A maximum pressure differential up/downstream of 10 bar (=ΔP)

Direct mounting of the electric actuator

DN	Actuator	Power	Operating time* 230 V AC	Operating time* 24 V AC/DC	Standard equipment of the actuator
15	UMA 3.5	10 W	10 s	15 s	2 adjustable limit switches 2 dry auxiliary switches Actuator thermal cut-out Manual override by key Visual position indicator Electrical connection: 2 gland packs. M20x1.5 Optional equipment Anti-condensation heater
20	UMA 3.5	10 W	10 s	15 s	
25	UMA 3.5	10 W	10 s	15 s	
32	UMA 3.5	10 W	10 s	15 s	
40	UMA 3.5	10 W	10 s	15 s	
50	UMC 10	25 W	8 s	N/A	
65	UMC 10	25 W	8 s	N/A	
80	UMC 10	25 W	8 s	N/A	
100	UMC 15	25 W	8 s	8 s	

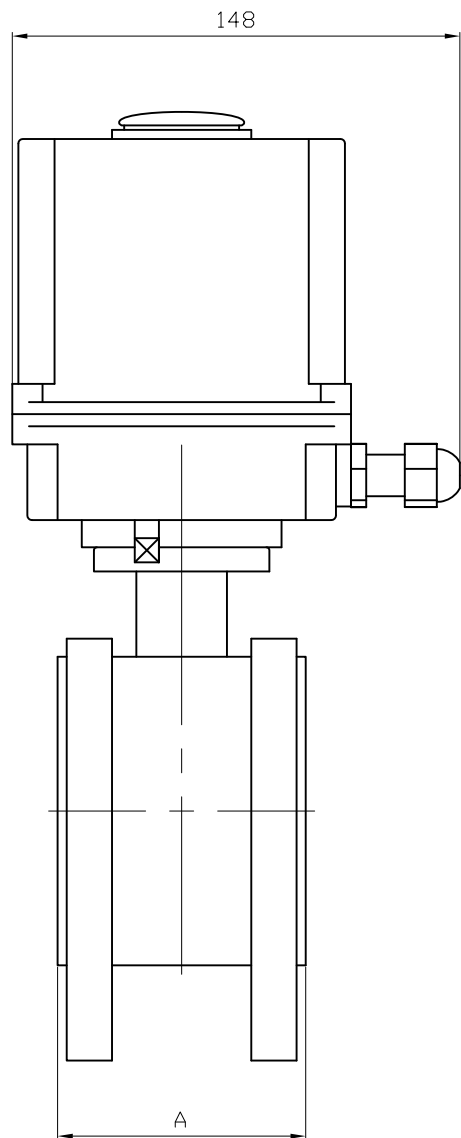
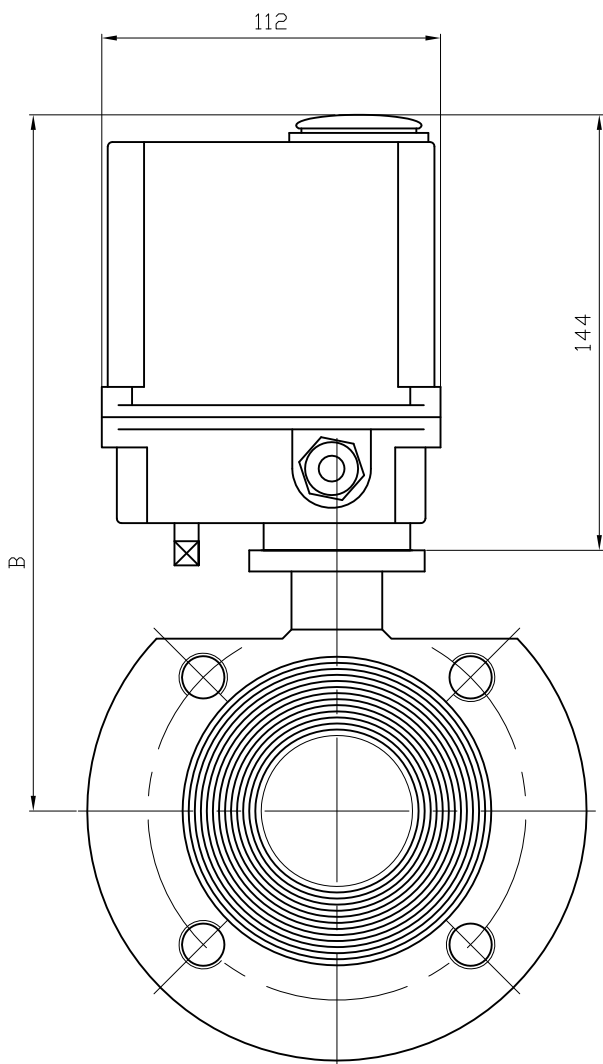
*Unloaded operating time given for information purpose only. May vary depending on the medium

For any other working conditions, please contact us

ACTUATION OPTIONS

There are many different options, please contact our commercial department.

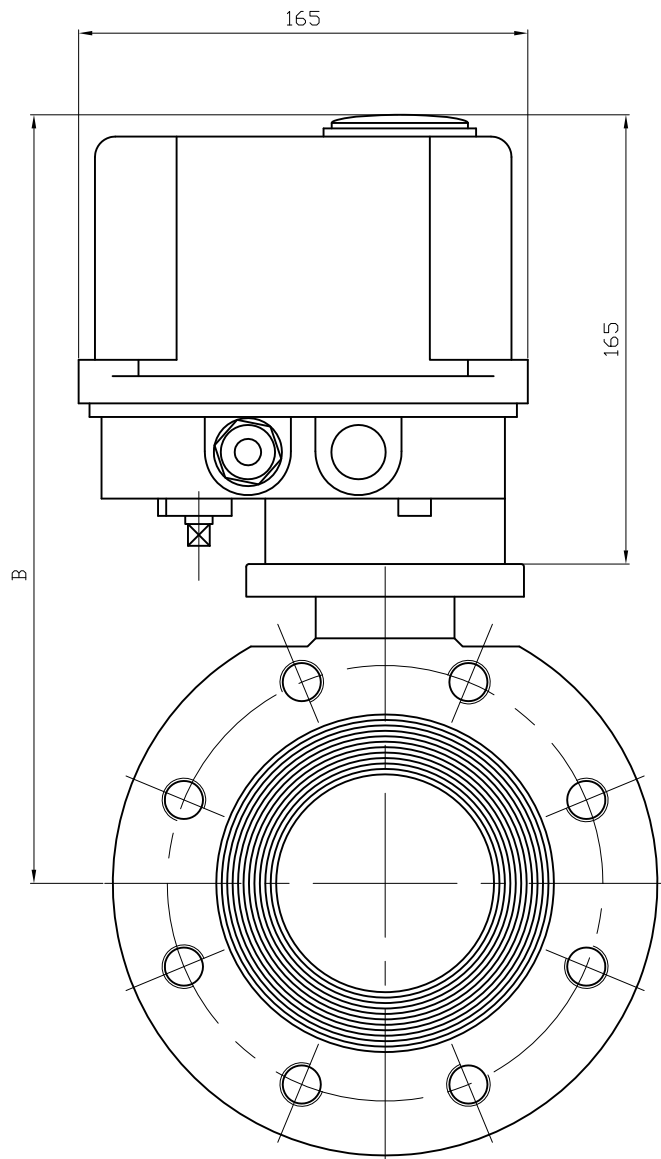
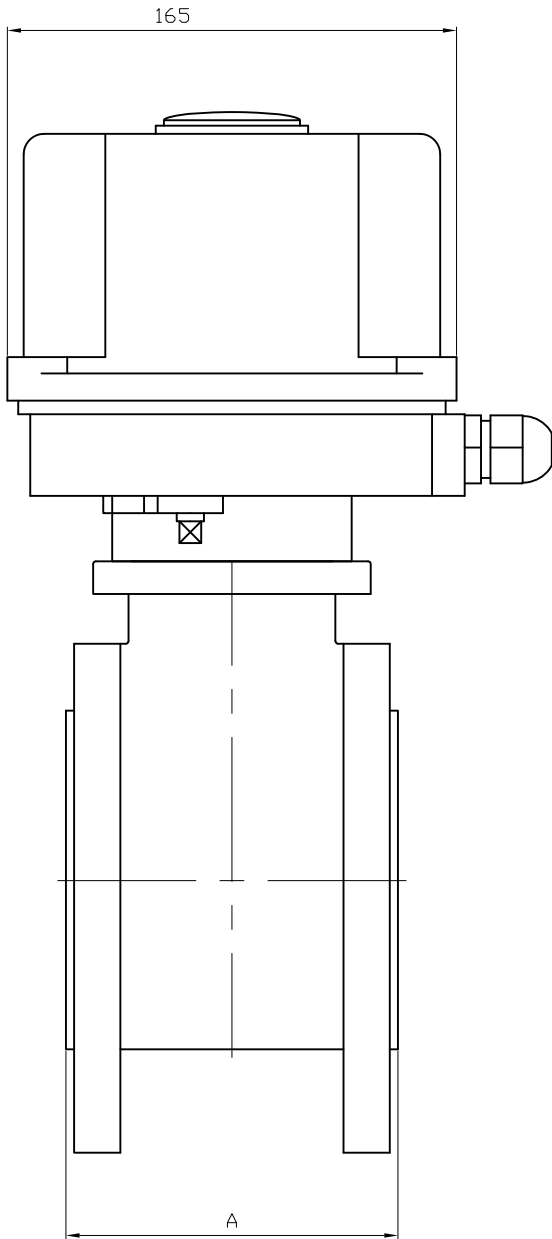
1	Thermal dispersion bracket for high temperature fluids (in accordance with the EN 15081 standard)
2	100 mm high stem extension for pipe insulation
3	Electric actuator sized for a maximum pressure differential up/downstream over 10 bar (=ΔP)
4	UV electric actuator with a declutchable manual override by handwheel
5	Anti-condensation heater



DN	15	20	25	32	40
A	42	44	50	54	68
B	198	200	206.5	216	222

Informations données à titre indicatif et sous réserve de modifications éventuelles

Ech: /	Date :09/03/2011	Dessiné par : E.D.	Tolérances générales : +/- 0.2	Modifications	Date	REV.
ROBINET A TOURNANT SPHERIQUE 771XS + SERVOMOTEUR UMA-3.5				Matière :		
				Poids (Kg) :		
				Traitement : SANS		
				Plan n° Ens 1094		



DN	50	65	80	100
TYPE	UMC10	UMC10	UMC10	UMC15
A	82	103	122	152
B	252.5	272	282.3	297.3

Informations données à titre indicatif et sous réserve de modifications éventuelles

Ech: /	Date :09/03/2011	Dessiné par : E.D.	Tolérances générales : +/- 0.2	Modifications	Date	REV.
ROBINET A TOURNANT SPHERIQUE 771XS + SERVOMOTEUR UMC				Matière :		
				Poids (Kg) :		
				Traitement : SANS		
				Plan n° Ens 1095		

ELECTRIC ACTUATOR UMA3.5

GENERAL CHARACTERISTICS

The UMA3.5 electric actuator is used on ¼ turn valves. The maximum output torque is 15 Nm. Its compact construction with a plastic enclosure makes it convenient for actuation on small diameter ball valves and butterfly valves. Protection IP 65: possible use indoor and outdoor under shelter.

IP 65



AVAILABLE ITEMS

Voltage: 230 V AC, 24 V AC and 24 V DC

LIMITS OF USE

Protection rating	IP 65
Temperature range	-10 °C / +55 °C
Service	S4-30%

MECHANICAL CHARACTERISTICS

Gears	Treated steel pinions
Torque	35 Nm
Rotation angle	90° +/- 5°
Declutching	Switch
Manual override	Allen key

Electric actuator	UMA3.5			UML3.5
Voltage	230 V AC	24 V AC	24 V DC	230 V AC
Operating time	12 s	15 s	16 s	40 s
ISO 5211 pad	F03/F05 – star 14			



ELECTRICAL CHARACTERISTICS

Motor protection	Thermal cut-out
Adjustable limit switches	2 adjustable switches
Auxiliary switches	2 adjustable dry switches
Anti-condensation	Optional
Electrical connection	2 gland packs. ½" PF

Electric actuator	UMA3.5			UML3.5
Voltage	230 V AC	24 V AC	24 V DC	230 V AC
Power	10 W	3 W	3 W	10 W
Intensity	0.25 A	0.15 A	0.15 A	0.25 A

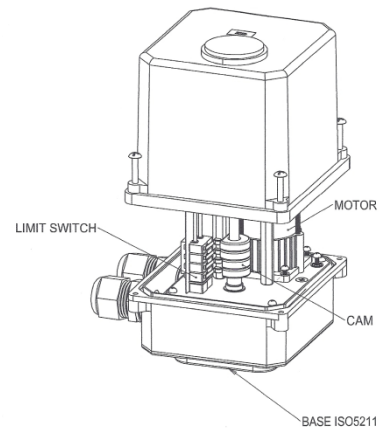
The following data is for information purpose only and may be subject to alteration without prior notice

	SECTORIEL S.A. 45, rue du Ruisseau 38290 Saint Quentin-Fallavier – FRANCE Tel.: +33 474 94 90 70 – Fax: +33 474 94 13 95 www.sectoriel.fr / email: sectoriel@sectoriel.fr	Pages	1/2
		Ref.	FT2206 GB
		Rev.	9
		Date	02/2012

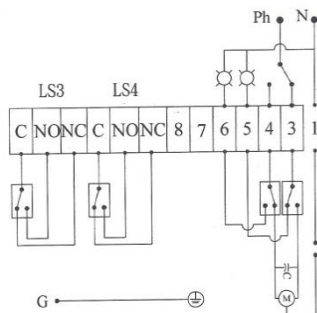
ELECTRIC ACTUATOR UMA3.5

CONSTRUCTION

Enclosure	PA 66 Plastic
Cover	PA 66 Plastic
Gears	Treated steel
Output	Star drive nut
Adjustable cams	Steel
Position indicator	Plexiglas®

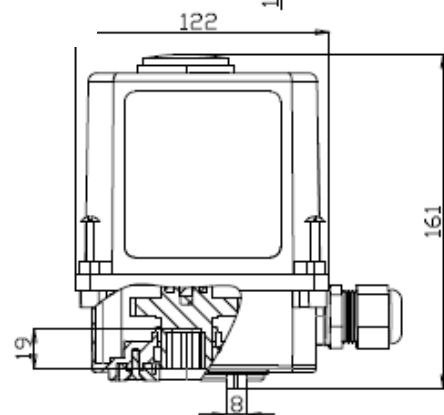
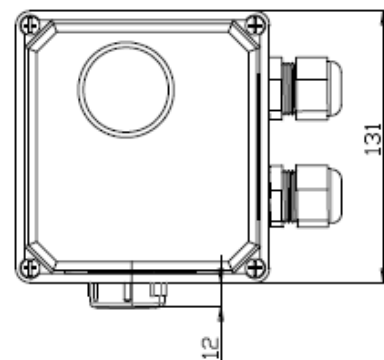


WIRING SCHEME 230 V AC

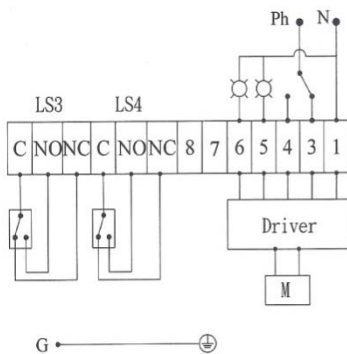


- 1 Common
 - 3 Opening phase
 - 4 Closing phase
 - 5 Open powered contact
 - 6 Close powered contact
 - 7 Heater
 - 8 Heater
- LS3 C-Auxiliary common dry open
NO- NO Dry contact
NC- NF Dry contact
- LS4 C-Auxiliary common dry close
NO- NO Dry contact
NC- NF Dry contact

DIMENSIONS (mm)

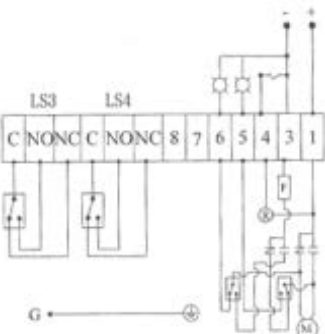


WIRING SCHEME 24 V AC

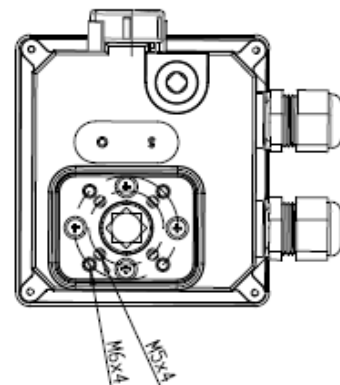


- 1 Common
 - 3 Opening phase
 - 4 Closing phase
 - 5 Open powered contact
 - 6 Close powered contact
 - 7 Heater
 - 8 Heater
- LS3 C-Auxiliary common dry open
NO- NO Dry contact
NC- NF Dry contact
- LS4 C-Auxiliary common dry close
NO- NO Dry contact
NC- NF Dry contact

WIRING SCHEME 24 V DC



- Wire 1 with +
 - Wire 3 with -
 - Bridge between 3 and 4 Opening
 - 5 Open powered contact
 - 6 Close powered contact
 - 7 Heater
 - 8 Heater
- LS3 C-Auxiliary common dry open
NO- NO Dry contact
NC- NF Dry contact
- LS4 C-Auxiliary common dry close
NO- NO Dry contact
NC- NF Dry contact



The following data is for information purpose only and may be subject to alteration without prior notice

	SECTORIEL S.A. 45, rue du Ruisseau 38290 Saint Quentin-Fallavier – FRANCE Tel.: +33 474 94 90 70 – Fax: +33 474 94 13 95 www.sectoriel.fr / email: sectoriel@sectoriel.fr	Pages	2/2
		Ref.	FT2206 GB
		Rev.	9
		Date	02/2012

ELECTRIC ACTUATOR UMC

GENERAL CHARACTERISTICS

The UMC and UMCL electric actuators are generally used on ¼ turn valves. The maximum output torque is between 100 Nm and 150 Nm. Its compact construction with a plastic enclosure makes it convenient for the actuation of small diameter ball valves and butterfly valves. Protection IP 65: possible use indoor and outdoor under shelter.

AVAILABLE ITEMS

100 Nm and 150 Nm torque
Voltage: 230 V AC, 24 V AC and 24 V DC



LIMITS OF USE

Protection rating	IP 65
Temperature range	-10 °C / +60 °C
Service	S4 - 30%

MECHANICAL CHARACTERISTICS

Gears	Treated steel pinions
Rotation angle	90° +/- 5°
Declutching	N/A
Manual override	Allen key (except for UML version)



Electric actuator	UMC10	UMC15			UMC15L
Voltage	230 V AC	230 V AC	24 V AC	24 V DC	230 V AC
Torque	100 Nm	150 Nm			
Operating time	8 s	8 s	8 s	8 s	45 s
ISO 5211 pad	F07 – star 17				

ELECTRICAL CHARACTERISTICS

Motor protection	Thermal cut-out
Adjustable limit switches	2 adjustable switches
Auxiliary switches	2 dry adjustable switches
Anti-condensation	Optional
Electrical connection	2 gland packs ½" PF

Electric actuator	UMC10	UMC15			UMC15L
Voltage	230 V AC	230 V AC	24 V AC	24 V DC	230 V AC
Power	25 W	25 W	25 W	25 W	25 W
Intensity	0.42 A	0.42 A	0.5 A	0.5 A	0.42 A

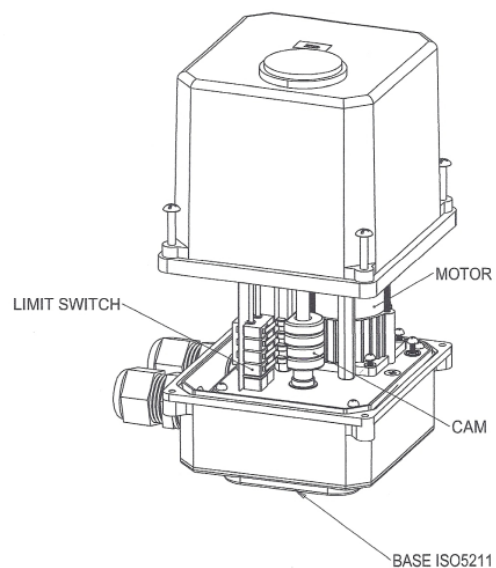
The following data is for information purpose only and may be subject to alteration without prior notice

	SECTORIEL S.A. 45, rue du Ruisseau 38290 Saint Quentin-Fallavier – FRANCE Tel.: +33 474 94 90 70 – Fax: +33 474 94 13 95 www.sectoriel.fr / email: sectoriel@sectoriel.fr	Pages	1/3
		Ref.	FT2224 GB
		Rev.	9
		Date	11/2012

ELECTRIC ACTUATOR UMC

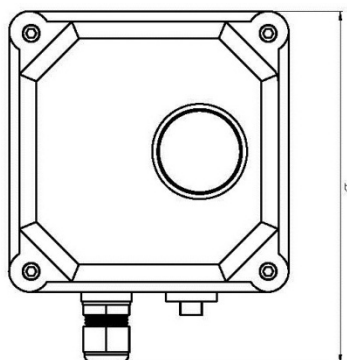
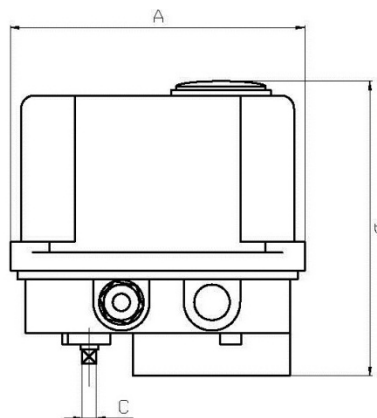
CONSTRUCTION

Enclosure	PA66 Plastic
Cover	PA66 Plastic
Gears	Treated steel
Output	Star drive nut
Adjustable cams	Steel
Position indicator	Plexiglas®




DIMENSIONS (mm)

A	165
B	165
C	8
D	200



The following data is for information purpose only and may be subject to alteration without prior notice

	SECTORIEL S.A. 45, rue du Ruisseau 38290 Saint Quentin-Fallavier – FRANCE Tel.: +33 474 94 90 70 – Fax: +33 474 94 13 95 www.sectoriel.fr / email: sectoriel@sectoriel.fr	Pages	2/3
		Ref.	FT2224 GB
		Rev.	9
		Date	11/2012

ELECTRIC ACTUATOR UMC

WIRING SCHEME 230 V AC AND 24 V AC

		230 V AC	24 V AC
1	Common		
3	Opening phase		
4	Closing phase		
5	Open powered contact		
6	Close powered contact		
7	Heater		
8	Heater		
9-C	Aux. common LS3 Opening		
10-NO	Aux. NO contact LS3 Opening		
11-NC	Aux. NC contact LS3 Opening		
12-C	Aux. common LS4 Closing		
13-NO	Aux. NO contact LS4 Closing		
14-NC	Aux. NC contact LS4 Closing		

WIRING SCHEME 24 V DC

	Wire 1 with +	
	Wire 3 with -	
	Bridge between 3 and 4 opening	
	Disconnected 4 closing	
5	Open powered contact	
6	Close powered contact	
7	Heater	
8	Heater	
D1	Aux. common #1	
D2	Aux. NO contact #1	
D3	Aux. NC contact #1	
C1	Aux. common #2	
C2	Aux. NO contact #2	
C3	Aux. NC contact #2	

The following data is for information purpose only and may be subject to alteration without prior notice

	SECTORIEL S.A. 45, rue du Ruisseau 38290 Saint Quentin-Fallavier – FRANCE Tel.: +33 474 94 90 70 – Fax: +33 474 94 13 95 www.sectoriel.fr / email: sectoriel@sectoriel.fr	Pages	3/3
		Ref.	FT2224 GB
		Rev.	9
		Date	11/2012