



DISPENSERS



PUMPS



METERS



NOZZLE



FILTRATION



FLUID  
MONITORING

# BP3000

## FEATURES

- VERSATILE
- ON BOARD APPLICATION
- EMC COMPATIBILITY
- VIBRATION RESISTANT
- IP55

The PIUSI BP3000 is a long-lasting, self-priming vane pump. Powerful, versatile and compact, it is equipped with a built-in by-pass valve. Available in both 12V and 24V versions, it represents the core of the Piusi range of pumps for on-board applications, particularly in the off-road and earthmoving machinery industry.



**BP3000 INLINE (threaded ports)**



**BP3000 (ports not threaded)**

## PERFORMANCE

UP TO  
**50 L/MIN**

FLOW-RATE

**AC/DC**

VOLTAGE

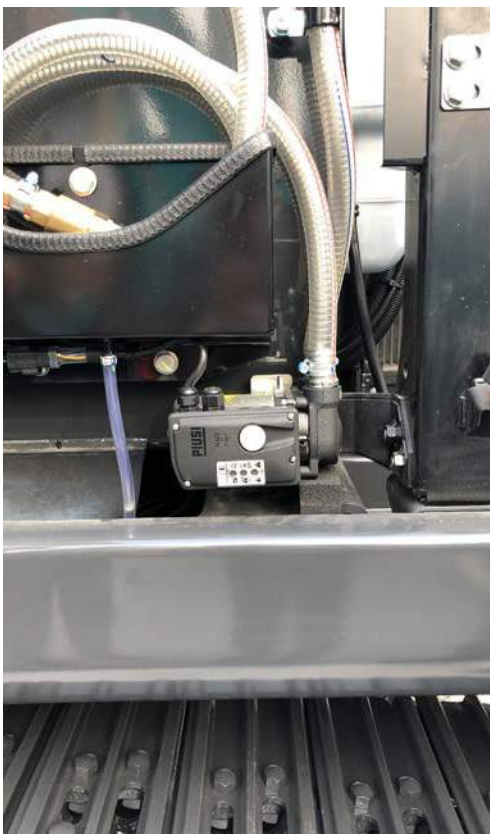
POWER

**30 MIN**

DUTY CICLE

UP TO  
**4MT**

SELF-PRIMING



## PACKAGING

CODE	WEIGHT		PACKAGING		
	KG	LBS	MM	INCH	PCS/BOX
FO0342000	3,5	7,9	200X120X140	7,9X4,7X5,5	1
FO0347000	3,5	7,9	200X120X140	7,9X4,7X5,5	1
FO0357000	3,5	7,9	200X120X140	7,9X4,7X5,5	1
FO0357500	3,5	7,9	200X120X140	7,9X4,7X5,5	1
FO0358000	3,5	7,9	200X120X140	7,9X4,7X5,5	1
FO0358500	3,5	7,9	200X120X140	7,9X4,7X5,5	1



HOSE REELS



ACCESSORIES



MERCHANDISE



AIR



ANTIFREEZE



AdBlue®



BIODIESEL



DIESEL



FOOD



GASOLINE



GREASE



KEROSENE



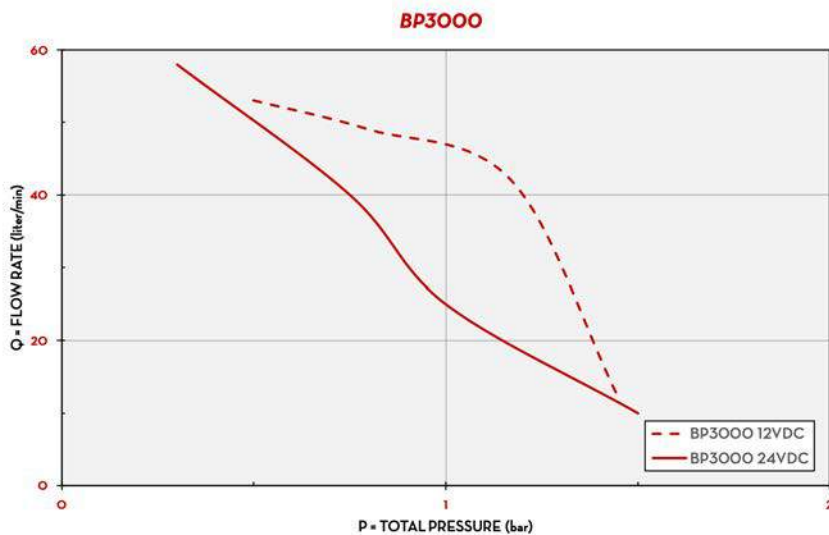
OIL



WATER



WINDSCREEN

**CHART**

TYPE OF FLUID DIESEL

TEMPERATURE 20 °C

**IN THE BOX**

- BP3000 PUMP
- INSTRUCTION MANUAL

**DETAILS**

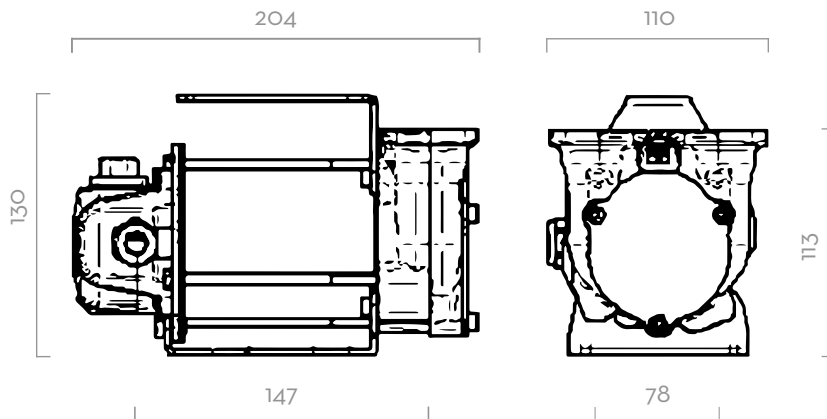
VANE ROTOR



IN-LINE VERSION AVAILABLE



CONNECTION KIT (pag. 86)

**DIMENSIONS**

Dimensions expressed in millimeters

**MATERIALS**

- BODY: CAST IRON
- ROTOR: SINTERED STEEL
- VANES: ACETAL RESIN
- SEAL: NBR
- SHAFT: STEEL

**PUMP**

- > MAX 6M (20FT),
- > SUCTION HOSE Ø 1" MIN,
- > MAX SUCTION HEIGHT:
  - 2M (7FT) W/O NON RETURN VALVE
  - 4M (14FT) W NON RETURN VALVE

**TANK****TECHNICAL DATA**

CODE	DESCRIPTION	FLUIDS TYPE	FLOW-RATE		VOLTAGE			DUTY CICLE MINUTES	RPM	THREADED PORTS BSP	MAX WORKING PRESSURE BAR
			L/MIN	GPM	DC VOLT	POWER WATT	AMP. MAX.				
FO0342000	BP3000 12V	D	50	13	12	300	24	30	2900	-	1,5
FO0347000	BP3000 24V / 12V	D	50 / 30	13 / 6	24/12	310 / 80	13 / 6,5	30	2900 / 1500	-	1,5
FO0357000	BP3000 12V HORIZONTAL	D	50	13	12	300	24	30	2900	-	1,5
FO0357500	BP3000 INLINE 12V	D	50	13	12	300	24	30	2900	3/4"	1,5
FO0358000	BP3000 24V HORIZONTAL	D	50 / 30	13 / 6	24/12	310 / 80	13 / 6,5	30	2900 / 1500	-	1,5
FO0358500	BP3000 INLINE 24V / 12V	D	50 / 30	13 / 6	24/12	310 / 80	13 / 6,5	30	2900 / 1500	3/4"	1,5

**BP3000**