

# MCP830M WEATHERPROOF BREAK GLASS CALLPOINT

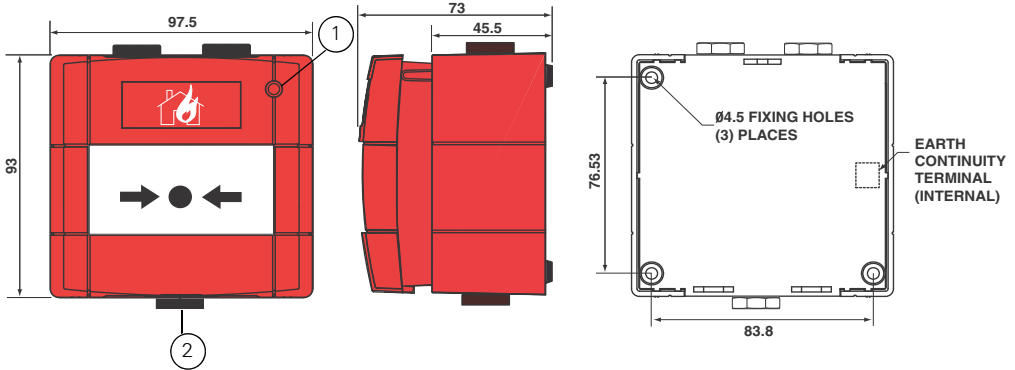


Fig. 1: MCP830M Weatherproof Break Glass Callpoint - Overall and Fixing Dimensions

1 – Short Circuit Isolator Activation (Yellow) and Alarm Indicator LED (Red)

2 – Test/Release Key Access



## Introduction

The MCP830M Weatherproof Addressable Break Glass Callpoint is an outdoor callpoint for marine applications.

The callpoint is designed to monitor and signal the condition of a switch contact that is operated by breaking a glass sheet.

The MCP830M is fitted onto a standard KAC weatherproof backbox, which is supplied with the callpoint.

The MCP830M has an integral short-circuit isolator for monitoring the field wiring.

The MCP830M callpoint meets the requirements of EN54 Pt. 11 and EN54 Pt. 17.

## Technical Specification

Table 1 shows the technical specification information.

| Parameter             | Value   |
|-----------------------|---|
| System Compatibility  | Use only with MX T2000 Fire Alarm Controllers |
| Environment           | Outdoor applications                          |
| Operating Temperature | -25 to +70 °C                                 |
| Storage Temperature   | -30 to +70 °C                                 |
| Operating Humidity    | Up to 95 % non-condensing                     |
| Dimensions (HWD)      | 93 x 97.5 x 73 mm                             |
| Weight                | 240 g   |
| IP Rating             | IP67  |

Table 1: Technical Specifications

## Terminals

Table 2 shows the terminal information.

| Description       | Marking | Comment     |
|-------------------|---------|-------------|
| MX Loop Interface | 1       | Loop+ IN    |
|                   | 2       | Loop- Left  |
|                   | 3       | Loop+ OUT   |
|                   | 4       | Loop- Right |

Table 2: Terminals

## Address Programming

The MCP830M has a default factory set address of 255.

The MCP830M is programmed with the address prior to installation using an address programming tool. The associated ancillary programming lead plugs into the programming port (see items 1 and 2 in Fig 2). Refer to Fig 2 for proper orientation.



### NOTICE

Ensure that the pins of the ancillary programming lead are inserted completely into the lower row of the programming port (see item 7 in Fig 2) for effective communication with the Address programming tool.



### Site Drawings

Once the address has been programmed, take note of the device location and address number, to include on site drawings.

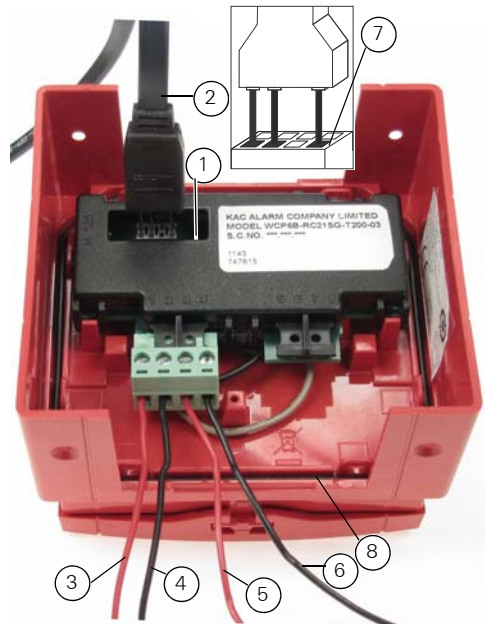


Fig. 2: MCP830M Rear View and Wiring Information

- 1- Ancillary Programming Port
- 2- Ancillary Programming Lead
- 3- Connected to Loop+IN
- 4- Connected to Loop-Left
- 5- Connected to Loop+Out
- 6- Connected to Loop-Right
- 7- Programming Lead Orientation
- 8- Gasket

## Mounting & Cabling

### How to mount the MCP830M with earthing plate fitted

- 1 Mount the backbox to a suitably flat surface in the required location, using the three fixing holes and screws provided in the installation kit.



### NOTICE

Ensure that the cable entry holes are in the vertical plane. The backbox can be mounted with either the single or the double entry holes at the top.

- 2 Fit the appropriate cable glands into the 20 mm diameter threaded holes as required.



### Spare Washers

Use only the supplied spare washer(s) to fit the respective cable gland(s) or hole stopper(s).

The 2 hole stoppers with plastic washers are provided for use where cable glands are not required.

- 3 Connection to the MCP830M is made via the 4 way terminal connector as shown in Fig. 2, ensuring correct polarity.

Each terminal can accommodate a conductor of upto 2.5 mm<sup>2</sup>.



### CAUTION

Ensure that the backbox's cable entry holes are not expanded to accommodate cable glands wider than 20 mm in diameter. It must not be subjected to stress by the cable or conduit.

Ensure that all the cable entries and unused entry points are securely sealed against water and moisture ingress.



### Sealant

It is recommended to use Loctite 5331 as sealant.



### NOTICE

Ensure that the gasket is correctly seated in the channel on the rear of the cover. The gasket should be replaced if damaged.

- 4 Place the callpoint squarely over the backbox and carefully push the callpoint until the locating clips have engaged.

Use the four fixing screws to lock the callpoint into place.

- 5 Cables are to be selected in accordance with Publication 17A-02-D and the requirements of the current issue of BS5839.
- 6 Couplers are to be used with MICC cable.

## Earthing

An Earth Continuity Terminal is situated in the rear of the backbox. This is designed to accommodate 2 conductors of up to 2.5 mm<sup>2</sup>.

An earthing plate is provided for continuity of metal conduits. This must be placed behind the backbox prior to fixing the box to the wall.

If the earthing plate is fitted, fit the 3 spare washers (supplied with each call point) between the metal earth continuity strap and the call point backbox.



### WARNING

**While installing the MCP830M:**

- **Do not overtighten the fixing screws**
- **Avoid using lubricants, cleaning solvents or petroleum based products.**

## Wiring Notes

- There are no user-required settings (such as switches or headers) on the MCP830M.
- All wiring must conform to the current edition of the IEE Wiring Regulations and BS5839 part 1.
- All conductors to be free of earths. For typical wiring configuration see Fig 2.

## Call Point Removal

### How to remove the MCP830M

- 1 Remove the four fixing screws used to lock the callpoint to the backbox.
- 2 Place the edge of a large flat bladed screwdriver into the slot between the callpoint cover and the backbox (see item 1 in Fig 3).



Fig. 3: MCP830M Removal

1– Screwdriver inserted into slot

- 3 Gently twist until the latches are disengaged.
- 4 Pull the cover away from the backbox.

## Ordering Information

| Components                        | Ordering Numbers |
|-----------------------------------|------------------|
| MCP830M Break Glass Callpoint     | 5 14.800.6 10    |
| MCP EN54 Pt 11 Spare Glass (pk 5) | 5 15.001.1 19    |

Table 3: Ordering Information

## CPD Information



0832

Thorn Security Ltd.  
Dunhams Lane  
Letchworth SG6 1BE  
UK

12

0832-CPD-1931

EN 54-11 and EN 54-17

Manual callpoint with Short-Circuit Isolator for fire detection & fire alarm systems for buildings

Type A, Outdoor

MCP830M