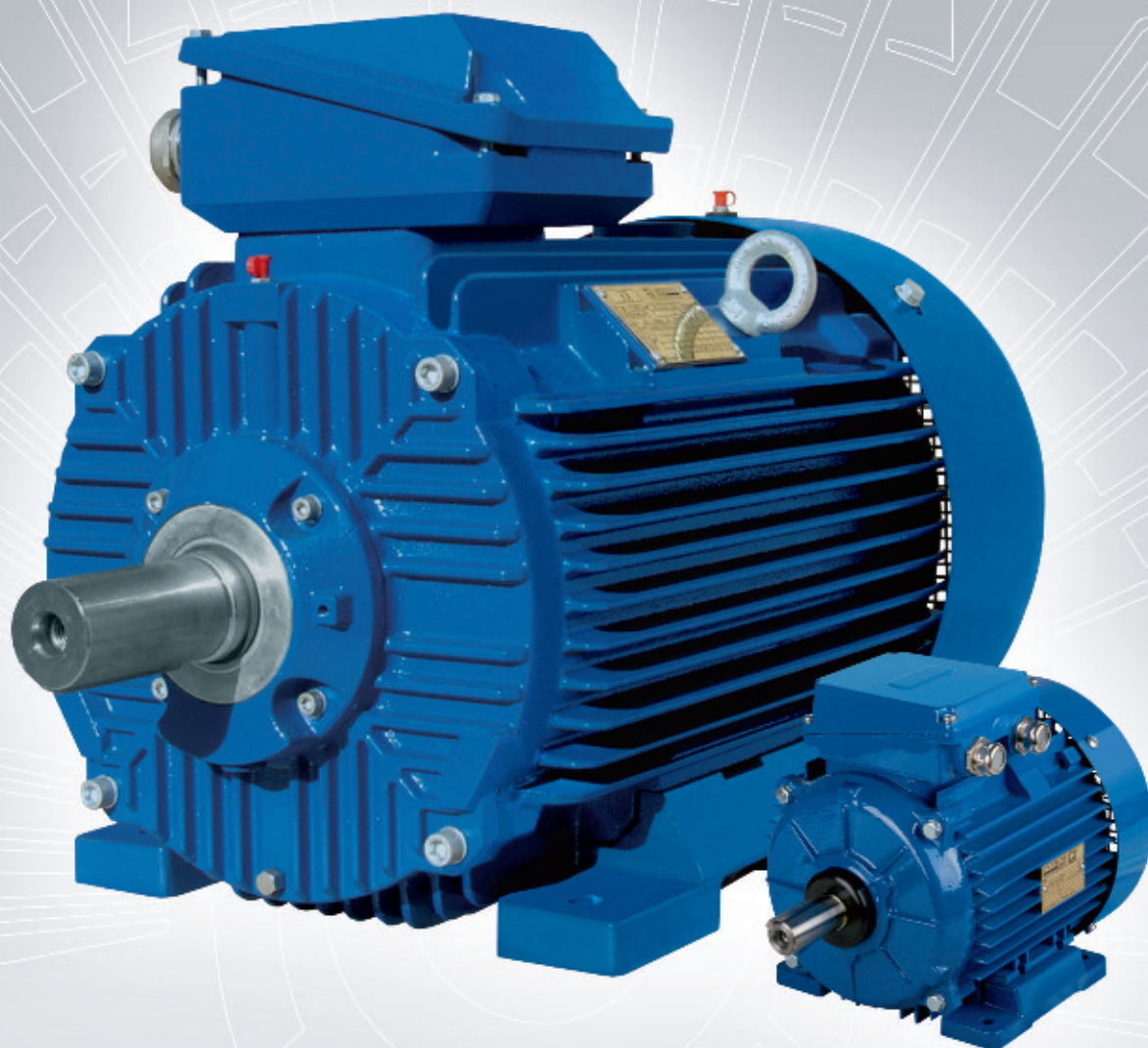




ELECTRIC MOTORS

2SIE IE2



www.bevi.com

TECHNICAL INFORMATION TYPE 2SIE IE2

Construction

2SIE have a stator house in aluminum from frame 80-112. End shields are in aluminum in frame 80-100 and in cast iron from frame 112. Flanges are in cast iron from frame 90. From frame 132 and up is the stator house in cast iron and also the end shields. Normally have foot motors in 2-4-6 pole execution roller bearing on drive side while 2 pole, flange- and foot/flange motors have ball bearings as standard. The motors are produced according to IEC60034-30: 2008, IEC60034-2-1:2007 and IEC 60034-30-1:2014. Standard are SS-EN 60 034-1 IEC 60072 and motors are marked with CE.

Voltage and Frequency

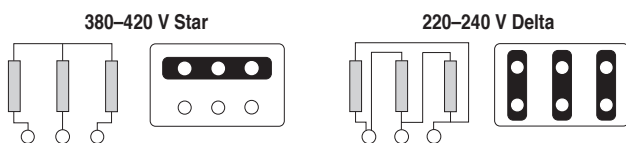
Motors are available for frequencies of 50Hz and 60Hz at standard voltage. Special voltage on request.
The voltage can vary up to +/- 5%, without derating.

Maintenance

In normal use maintenance is limited to greasing of the bearings. All motors in sizes 200 and larger are fitted with grease nipples as standard. The bearings are lubricated with lithium based grease class 1. Smaller motors have closed bearing housings and sealed bearings, and can be considered maintenance free. For hard operations special bearings can be supplied – for example, for high ambient temperature and increased speed.

Voltage

Three phase single speed motors can normally be connected for two different voltage ranges (connection in star – higher voltage, or delta – lower voltage) with a ratio of $\sqrt{3}$. This gives a wide application range and simplified management of ordering and stockholding.



The above connection diagrams are applicable to range wound motors for supplies of 220-240 V (Delta connection) and 380-420 V (Star connection).

Examples:

a) 220-240 V Delta/380-420 V Star – may be labelled 230/400 V (Standard for motors 3 kW and smaller). Suitable for direct on line starting on 380-420 V supplies.

b) 380-420V Delta/660-720V Star – may be labelled 400 V Delta (Standard for motors 4 kW and larger). Suitable for Star/Delta starting on 380-420 volt supplies or direct on line starting on 660-720 V supplies.

Frequency

Motors wound for 50Hz supplies can also be used on 60Hz. Rated data can be calculated from the table below.

Voltage at 50Hz	Voltage at 60Hz	60Hz data as % of 50Hz data			
		Power P	Torque M	Starting torque Mst	Speed n
230	230	100	83	69	120
230	255	111	92	85	120
400	400	100	83	69	120
400	440	110	92	84	120
400	460	115	96	92	120
400	480	120	100	100	120
525	525	100	83	69	120
525	575	115	96	92	120

Enclosure (degree of protection)

Motors are produced in degree of protection IP55 as standard, but are also available to other standards.

Insulation Class

All motors are wound with Class F material, but calculated with temperature rise according to class B at 50Hz.

Balancing

Motors are balanced with a half key. Special degrees of balancing are available on request.

Standards

Motor construction, outputs, and fixing dimensions comply with IEC standards.

STANDARD	STANDARD EFFICIENCY
SS-EN 60 034-1 IEC 60072	IEC 60034-30: 2008 IEC 60034-2-1: 2007 IEC 60034-30-1: 2014

Thermistors

Protection is provided fitted in frame 160 and up. Thermistors are temperature sensitive resistors that at a certain temperature have a wide change of resistance. When connected with sensing relay it can be used to e.g. cut of the supply to main contactor coil.

Cooling

As standard, the fan and cowl is fitted at the non-drive end (cooling form IC 411). Other cooling methods can be supplied e.g. separately driven cooling fan (often used with inverter drives).

Heaters

Motors used in conditions of wide temperature variation or extreme climatic conditions can be damaged by condensation and dampness in the windings. In motors fitted with heaters, the windings are heated to a few degrees above ambient, which is enough to prevent condensation. Heaters must not be energised when the motor is running. Smaller motors can be heated by supplying a low voltage via the motor leads, using a supply of 5-10% of the rated voltage between two phases. BEVI can fit heaters to all motor sizes.

Ambient Temperature

The motors can operate at ambient 40 degrees and for Marine applications at 45 degrees if the motor not are placed over 1000 meter over the sea.

Duty

Motors are designed for S1 duty. The motors can also be used for S2-S9 duty.

Vibration Speed

The vibration speed complies with Class A of IEC60034-14 as standard. Class B can also be met if required by customer.

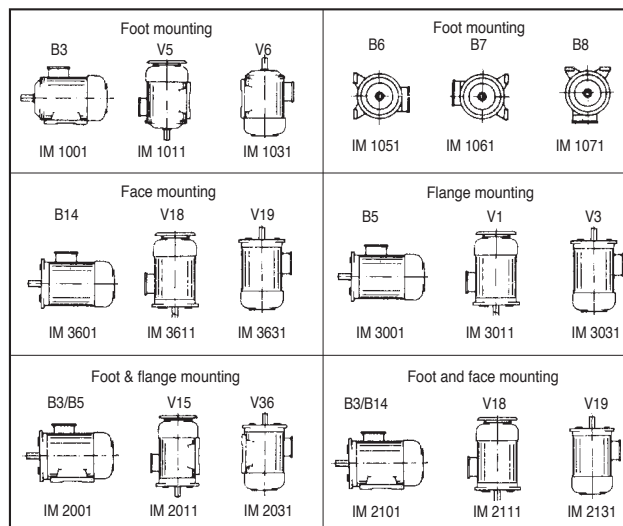
Noise Level

The noise level complies with IEC60034-9 as standard.

Recycling

Larger motors can advantageously be renovated. The motors will otherwise be treated as electronic waste in accordance with national laws and regulations. The motors can be recycled at very high extent.

Mounting arrangements



ELECTRIC MOTORS TYPE 2SIE IE2 – 2 poles – 3000rpm

Number of poles 2 3000 rpm	Power kW 50Hz	Full load speed rpm 50Hz	Full load current (A)			Power kW 60Hz	Full load speed rpm 60Hz	Full load current 60Hz 460V 440-480V	Efficiency			Power factor Cos ψ	Starting current ratio Ia/In	Starting torque ratio Ma/Mn	Pull out torque ratio Mmax/Mn	Moment of inertia (J) kgm ²	Mass (B3) kg
			220-240V 230V	380-420V 400V	525V				100%	75%	50%						
2SIE 80-2A	0.75	2840	3.3	1.9	1.5	0.87	3410	1.9	79.0	76.5	72.0	0.74	5.0	3.2	3.0	0.0008	8.5
2SIE 80-2B	1.1	2840	4.8	2.7	2.1	1.28	3410	2.7	80.0	80.0	77.0	0.75	5.5	3.4	3.4	0.0011	9.8
2SIE 90S2	1.5	2880	5.7	3.3	2.5	1.8	3465	3.2	81.8	82.0	80.0	0.81	7.6	3.3	3.4	0.0014	13.9
2SIE 90L2	2.2	2870	8.2	4.7	3.6	2.6	3440	4.5	83.5	84.4	83.4	0.81	7.3	3.7	3.7	0.0016	17.3
2SIE 90L2A*	3	2865	10.7	6.3	3.6	3.6	3435	6.3	84.6	85.4	76.8	0.83	8.0	3.9	4.2	0.0019	19.4
2SIE 100L2	3	2905	10.7	6.2	4.7	3.6	3500	6.1	84.6	84.4	82.8	0.83	8.3	3.1	3.3	0.0039	23
2SIE 100L2A*	4	2880	14.6	8.4	4.9	4.8	3465	8.4	85.8	86.2	84.9	0.80	7.6	2.9	3.1	0.0039	26.7
2SIE 112M2	4	2915	13.4	7.7	5.9	4.8	3510	7.7	86.3	87.3	86.9	0.87	8.5	2.4	2.7	0.0060	33.5
2SIE 132S2A	5.5	2930	17.5	10.1	7.7	6.6	3530	10.2	87.5	89.2	88.5	0.90	8.8	2.7	3.4	0.014	59.5
2SIE 112M2A*	5.5	2915	18	10.4	6.0	6.6	3510	10.4	87.0	87.6	86.9	0.88	9.0	2.8	3.1	0.0075	41
2SIE 132S2B	7.5	2920	23.1	13.2	10.0	9.0	3510	13.6	88.6	89.1	88.2	0.92	8.5	2.7	3.3	0.017	70.8
2SIE 112M2B*	7.5	2915	27	15.6	9.0	9.0	3510	15.6	88.1	88.5	87.4	0.79	8.3	3.0	3.6	0.0077	43
2SIE 132M2*	9.2	2920	28.9	16.6	9.6	11.0	3510	16.6	88.8	89.7	89.4	0.90	8.6	2.7	3.2	0.170	70.8
2SIE 132M2A*	11	2910	33.8	19.5	11.3	13.2	3495	19.5	89.4	90.3	89.9	0.91	8.0	2.8	3.3	0.020	79
2SIE 160M2A	11	2940	35.3	20.3	15.4	13.2	3535	20.7	90.0	90.3	89.4	0.87	7.2	2.0	2.7	0.042	96
2SIE 160M2B	15	2935	46.9	26.9	20.4	18.0	3525	27.6	90.3	91.0	90.6	0.89	7.0	2.0	2.8	0.048	103
2SIE 160L2	18.5	2935	55.8	32.1	24.4	22.2	3525	33.4	91.5	92.3	92.2	0.91	7.7	2.3	2.9	0.059	118
2SIE 160L2A*	22	2930	68.7	39.5	22.9	26.4	3530	39.5	91.3	91.9	91.7	0.88	7.9	2.5	2.7	0.059	118
2SIE 180M2	22	2945	68.7	39.5	30	26.4	3540	41.1	91.3	91.7	90.8	0.88	7.5	2.6	3.2	0.062	156
2SIE 180L2*	30	2935	91	52.3	30.3	34.5	3535	52.3	92.0	92.6	92.5	0.90	7.5	2.4	2.5	0.095	190
2SIE 200L2A	30	2952	91	52	40	34.5	3542	52	92.3	92.7	92.0	0.90	6.3	2.0	2.6	0.15	265
2SIE 200L2B	37	2954	110	63	48	43	3545	63	92.7	93.5	93.6	0.91	6.0	1.8	2.5	0.18	283
2SIE 225M2	45	2967	135	78	59	52	3560	78	93.1	93.6	93.6	0.90	6.2	1.5	2.8	0.26	380
2SIE 250M2	55	2959	163	94	72	63	3550	94	93.3	93.9	93.8	0.91	5.7	1.8	2.3	0.42	492
2SIE 280S2	75	2978	220	127	97	86	3574	127	94.1	94.4	94.0	0.91	6.9	1.5	2.9	0.76	655
2SIE 280M2	90	2972	264	152	116	104	3566	152	94.2	94.2	93.4	0.91	6.5	1.5	2.4	0.95	688
2SIE 315S2	110	2978	318	183	139	126.5	3574	183	94.5	94.7	94.1	0.92	7.0	1.7	2.9	0.98	883
2SIE 315M2A	132	2979	379	218	166	152	3575	218	94.8	95.0	94.5	0.92	7.5	1.9	3.1	1.15	950
2SIE 315M2B	160	2975	453	261	198	184	3570	261	94.9	95.3	95.1	0.93	6.6	1.8	2.7	1.40	1037
2SIE 315M2C	200	2979	–	325	247	230	3575	325	95.3	95.6	95.3	0.93	7.7	2.2	3.0	1.74	1111
2SIE 355ML2	200	2987	–	336	255	–	3585	336	95.6	95.2	94.0	0.90	8.0	1.9	3.4	2.8	1600
2SIE 355ML2A	250	2982	–	414	315	–	3578	414	95.7	95.6	94.7	0.91	7.0	1.8	2.8	2.8	1600
2SIE 355ML2B	315	2982	–	522	397	–	3578	522	95.7	95.7	95.0	0.91	7.3	1.9	3.0	3.0	1680
2SIE 355H2D	355	2985	–	588	447	–	3582	588	95.7	95.5	94.7	0.91	7.4	1.7	2.7	4.9	2140

* Progressive motors.

We reserve the right to make design changes.

ELECTRIC MOTORS TYPE 2SIE IE2 – 4 poles – 1500rpm

Number of poles 4 1500 rpm	Power kW 50Hz	Full load speed rpm 50Hz	Full load current (A)			Power kW 60Hz	Full load speed rpm 60Hz	Full load current 60Hz 460V 440-480V	Efficiency			Power factor Cos ψ	Starting current ratio Ia/In	Starting torque ratio Ma/Mn	Pull out torque ratio Mmax/Mn	Moment of inertia (J) kgm ²	Mass (B3) kg
			220-240V 230V	380-420V 400V	525V				100%	75%	50%						
2SIE 80-4B	0.75	1400	3.7	2.2	1.7	0.87	1680	2.2	80.0	77.0	70.0	0.65	4.2	3.1	3.2	0.00209	9.6
2SIE 90S4	1.1	1425	4.5	2.6	2.0	1.3	1715	2.6	81.4	81.3	79.1	0.76	5.7	2.4	2.8	0.0029	16.3
2SIE 90L4	1.5	1425	6.0	3.4	2.6	1.8	1720	3.4	82.8	83.2	81.2	0.76	6.2	2.6	2.9	0.0036	18.0
2SIE 100L4A	2.2	1440	7.9	4.5	3.4	2.6	1740	4.5	84.7	85.5	84.6	0.83	7.3	2.4	2.8	0.0070	25.5
2SIE 100L4B	3	1445	11.8	6.8	5.0	3.6	1750	6.6	85.0	85.7	83.7	0.75	8.0	3.1	3.2	0.0076	27.5
2SIE 112M4	4	1450	14.6	8.4	6.4	4.8	1750	8.5	87.0	87.7	86.9	0.79	6.7	2.0	2.9	0.0115	35.5
2SIE 112M4A*	5.5	1440	19.9	11.5	6.6	6.6	1740	11.5	87.7	88.2	87.8	0.79	6.4	2.1	2.7	0.0115	39
2SIE 132S4	5.5	1460	19.6	11.3	8.6	6.6	1765	11.3	88.0	88.2	87.0	0.80	8.3	2.4	3.1	0.031	69
2SIE 132M4	7.5	1460	26.5	15.3	11.6	9.0	1760	15.2	88.7	89.2	88.0	0.80	7.7	2.5	3.3	0.036	73.5
2SIE 132M4A*	9.2	1460	32.3	18.6	10.8	11.0	1760	18.6	89.3	90.1	89.5	0.80	7.7	2.5	3.3	0.042	62
2SIE 160M4	11	1470	38.0	21.8	16.6	13.2	1765	22.2	89.8	90.3	89.3	0.81	7.1	2.0	2.8	0.057	106
2SIE 160L4	15	1470	51.3	29.5	22.4	18.0	1760	39.3	90.6	91.3	90.7	0.81	7.5	2.3	3.3	0.070	127
2SIE 180M4	18.5	1470	59.2	34.0	26	22.2	1765	34.7	91.2	91.3	90.2	0.86	7.8	2.9	3.6	0.139	169
2SIE 180L4	22	1460	70.1	40.3	31	26.4	1760	40.5	91.6	92.0	91.4	0.86	7.6	2.9	3.3	0.144	180
2SIE 180L4A*	30	1465	94.9	54.6	31.6	34.5	1760	54.6	92.3	92.7	92.0	0.86	7.0	2.4	2.7	0.185	200
2SIE 200L4	30	1474	93	54	41	34.5	1769	54	92.4	93.1	93.0	0.87	5.6	1.9	2.3	0.31	285
2SIE 225S4	37	1484	117	67	51	43	1780	67	93.2	93.5	92.9	0.85	7.0	2.0	2.7	0.49	368
2SIE 225M4	45	1485	144	83	63	52	1782	83	93.6	93.8	93.0	0.84	7.6	2.1	2.8	0.55	395
2SIE 250M4	55	1479	164	94	71	63	1775	94	93.5	93.9	93.0	0.90	6.0	1.8	2.1	0.79	478
2SIE 280S4	75	1489	225	129	98	86	1787	129	94.2	94.6	94.1	0.89	7.0	2.0	2.5	1.37	678
2SIE 280M4	90	1486	272	157	119	104	1783	157	94.3	94.7	94.5	0.88	6.2	1.7	2.2	1.50	700
2SIE 315S4	110	1489	324	186	141	126.5	1787	186	94.6	95.1	95.0	0.90	6.5	2.0	2.5	1.85	905
2SIE 315M4A	132	1489	381	219	166	152	1787	219	95.0	95.6	95.6	0.91	6.4	2.0	2.4	2.25	982
2SIE 315M4B	160	1487	465	267	203	184	1785	267	95.0	95.8	96.0	0.91	5.7	1.8	2.1	2.59	1047
2SIE 315M4C	200	1487	–	334	254	230	1785	334	95.1	95.9	96.3	0.91	5.6	1.8	2.1	3.24	1115
2SIE 355ML4	200	1490	–	339	258	–	1788	339	95.8	95.8	95.8	0.89	7.4	2.0	2.4	5.3	1680
2SIE 355ML4	200	1487	–	347	264	–	1785	347	95.7	95.8	95.7	0.87	7.2	2.3	2.4	3.3	1198
2SIE 355ML4A	250	1489	–	423	322	–	1787	423	95.9	96.0	95.9	0.89	7.3	2.0	2.4	5.3	1680
2SIE 355ML4B	315	1489	–	527	401	–	1787	527	95.9	96.0	95.9	0.90	7.6	2.2	2.5	6.4	1810
2SIE 355H4D	355	1488	–	607	461	–	1786	607	95.9	96.0	95.9	0.88	6.5	1.6	2.2	7.8	2175

* Progressive motors.

We reserve the right to make design changes.

ELECTRIC MOTORS TYPE 2SIE IE2 – 6 poles – 1000rpm

Number of poles 6 1000 rpm	Power kW 50Hz	Full load speed rpm 50Hz	Full load current (A)			Power kW 60Hz	Full load speed rpm 60Hz	Full load current 60Hz 460V 440-480V	Efficiency 50Hz			Power factor Cos ψ	Starting current ratio Ia/In	Starting torque ratio Ma/Mn	Pull out torque ratio Mmax/Mn	Moment of inertia (J) kgm ²	Mass (B3) kg
			220-240V 230V	380-420V 400V	525V				100%	75%	50%						
			50Hz	50Hz	50Hz												
2SIE 90S6	0.75	925	3.5	2.0	1.5	0.9	1120	2.0	75.9	76.8	74.3	0.70	4.2	2.2	2.6	0.0028	16.5
2SIE 90L6	1.1	910	5.0	2.9	2.2	1.3	1110	2.8	78.1	79.8	78.2	0.71	4.0	2.5	2.8	0.0032	19
2SIE 100L6	1.5	950	6.4	3.7	2.8	1.8	1145	3.7	80.3	80.7	78.4	0.73	5.5	2.4	2.6	0.010	22
2SIE 100L6A*	1.85	945	8.6	4.9	2.9	2.2	1135	4.9	80.9	81.1	78.0	0.67	5.0	2.4	2.5	0.0100	22
2SIE 112M6	2.2	955	8.9	5.1	3.9	2.6	1150	5.0	82.3	83.1	82.0	0.75	5.9	2.3	2.7	0.0177	32
2SIE 132S6	3	950	11.4	6.6	5.0	3.6	1150	6.6	83.3	84.3	83.1	0.79	5.5	2.0	2.7	0.0250	50
2SIE 112M6A*	3	945	12.7	7.3	4.2	3.6	1135	7.3	83.3	85.0	84.4	0.71	4.5	1.6	1.9	0.0115	36
2SIE 132M6A	4	950	15.0	8.6	6.5	4.8	1150	8.8	84.6	85.9	85.5	0.79	6.3	2.4	3.1	0.0320	62
2SIE 132M6B	5.5	950	19.8	11.4	8.9	6.6	1150	11.6	86.0	86.8	85.8	0.80	6.6	2.6	3.0	0.040	72
2SIE 160M6	7.5	960	26.6	15.3	11.6	9.0	1155	15.6	87.4	88.5	88.2	0.81	6.7	2.3	3.1	0.072	100
2SIE 160L6	11	960	38.0	21.8	16.6	13.2	1155	22.6	88.7	89.6	89.3	0.82	7.1	2.5	3.1	0.096	125
2SIE 180L6	15	975	51.2	29.4	22.3	18	1170	30.5	89.7	90.1	89.1	0.82	6.3	2.8	2.4	0.220	170
2SIE 180L6A*	18.5	970	61.9	35.6	20.6	21	1165	35.6	90.4	91.3	91.1	0.83	6.0	2.7	2.4	0.276	198
2SIE 200L6A	18.5	990	66	38	29	21	1190	38	90.8	90.7	89.2	0.77	5.7	2.0	2.6	0.50	283
2SIE 200L6B	22	990	77	44	33	25	1190	44	91.0	91.1	90.0	0.79	5.3	1.8	2.4	0.57	294
2SIE 225M6	30	990	101	58	44	34.5	1190	58	91.9	92.4	91.7	0.81	5.6	1.9	2.3	0.82	379
2SIE 250M6	37	989	119	68	52	43	1185	68	92.5	93.0	92.5	0.84	5.3	1.6	2.3	1.39	458
2SIE 280S6	45	992	152	87	66	52	1190	87	93.0	93.0	92.0	0.80	5.6	1.7	2.3	1.90	682
2SIE 280M6	55	992	182	105	80	63	1190	105	93.4	93.4	92.4	0.81	5.8	1.8	2.4	2.25	743
2SIE 315S6	75	992	250	144	110	86	1190	144	94.0	94.2	93.4	0.80	5.6	1.7	2.2	2.93	983
2SIE 315M6A	90	992	288	165	126	104	1190	165	94.2	94.5	93.8	0.83	5.5	1.6	2.0	3.40	1073
2SIE 315M6B	110	992	352	203	155	126.5	1190	203	94.4	94.7	94.1	0.83	5.5	1.7	2.1	4.21	1181
2SIE 315M6C	132	993	–	252	192	152	1190	252	94.6	94.6	93.7	0.80	6.1	2.0	2.4	4.36	1192
2SIE 315ML6	160	987	–	290	221	–	1185	290	94.8	95.0	94.8	0.84	6.3	2.1	2.4	3.5	1240
2SIE 315M6D	160	992	–	313	238	184	1190	313	94.8	94.5	93.6	0.78	6.0	2.1	2.4	4.36	1207
2SIE 355ML6A	200	989	–	351	267	–	1185	351	95.5	95.6	95.5	0.86	7.0	2.1	2.4	7.2	1720
2SIE 355ML6B	250	990	–	438	333	–	1190	438	95.7	95.9	95.7	0.86	7.1	2.2	2.4	8.6	1920
2SIE 355H6C	315	992	–	552	420	–	1190	552	95.7	95.9	95.7	0.86	7.0	1.9	2.2	12.7	2370
2SIE 355H6D	355	991	–	623	474	–	1190	623	95.7	95.9	95.7	0.86	6.9	1.8	2.3	13.6	2480

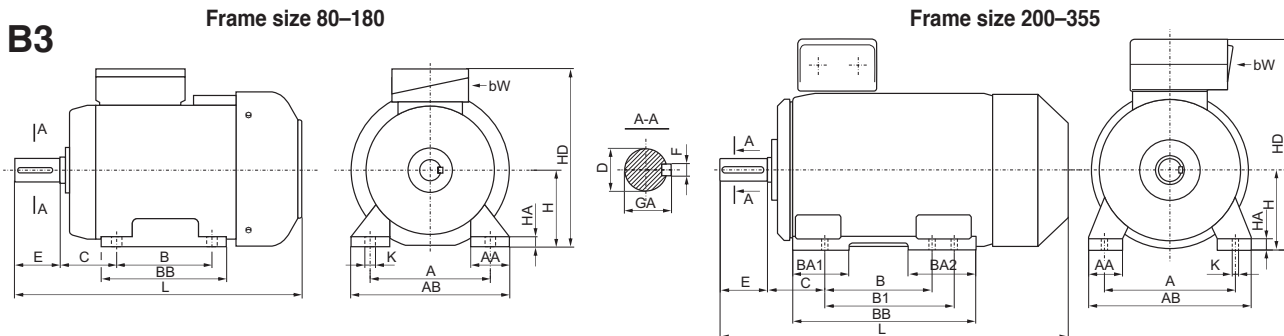
ELECTRIC MOTORS – 8 poles – 750rpm – Outside the IE2 and IE3 norms

Number of poles 8 750 rpm	Power kW 50Hz	Full load speed rpm 50Hz	Full load current (A)			Power kW 60Hz	Full load speed rpm 60Hz	Full load current 440-480V 460V 60Hz	Effi- ciency %	Power factor Cos ψ	Starting current ratio Ia/In	Starting torque ratio Ma/Mn	Pull out torque ratio Mmax/Mn	Mass (B3) kg
			220-240V 230V	380-420V 400V	525V									
			50Hz	50Hz	50Hz									
Sg 63-8A	0.04	670	0.6	0.35	0.27	0.05	805	0.35	35	0.60	1.7	1.6	1.7	3.6
Sg 63-8B	0.06	670	0.8	0.45	0.35	0.9	805	0.45	38	0.60	1.7	1.6	1.7	4.2
Sh 71-8A	0.09	680	1.15	0.65	0.57	0.105	820	0.75	35	0.59	1.9	1.9	1.9	4.9
Sh 71-8B	0.12	670	1.25	0.7	0.46	0.14	810	0.7	47	0.63	1.9	1.7	1.8	5.8
Sh 71X-8C*	0.18	680	2.4	1.4	0.95	0.21	820	1.4	45	0.52	2.0	2.7	2.6	7.3
Sh 80-8A	0.18	690	1.3	0.75	0.57	0.21	820	0.75	57	0.63	2.8	1.6	1.7	7.5
Sh 80-8B	0.25	680	2.1	1.2	0.91	0.3	820	1.2	57	0.60	2.5	1.7	1.9	8.9
Sh 80X-8C*	0.37	680	2.95	1.7	1.3	0.43	820	1.7	58	0.60	2.5	2.0	2.0	11.0
Sh 80X-8D*	0.55	690	4.20	2.4	1.8	0.65	815	2.4	59	0.60	2.5	2.2	2.2	12.7
ISSh 90S-8	0.37	695	2.4	1.4	1.05	0.45	835	1.4	63.4	0.59	2.9	1.7	2.3	13.4
ISSh 90L-8	0.55	675	3.3	1.9	1.4	0.65	825	1.9	65	0.64	2.8	1.7	1.9	15.3
ISSg 100L-8A	0.75	710	4.0	2.3	1.7	0.9	860	2.3	71.1	0.66	3.5	1.4	1.9	23.6
ISSg 100L-8B	1.1	705	5.9	3.4	2.6	1.3	855	3.4	72.2	0.65	3.6	1.6	1.9	26.3
ISSg 112M-8	1.5	720	6.9	4.0	3.1	1.8	870	4.0	76.8	0.71	4.6	1.9	2.3	31
ISSg 132S-8	2.2	710	9.5	5.5	4.2	2.6	860	5.5	78.0	0.74	4.7	2.0	2.4	53
ISSg 132M-8	3.0	710	12.6	7.3	5.6	3.6	860	7.3	80.0	0.74	5.0	2.3	3.0	65
ISSg 160M-8A	4.0	705	16.1	9.3	7.0	4.8	850	9.3	81.5	0.76	5.0	2.2	2.7	85
ISSg 160M-8B	5.5	710	22.2	12.7	9.7	6.6	855	12.7	83	0.75	5.5	2.7	3.0	95
ISSg 160L-8	7.5	705	28.2	16.3	12.5	9.0	850	16.3	84.5	0.78	5.8	2.7	3.0	115
ISSg 180L-8	11.0	730	40.7	23.5	17.9	13.2	880	23.5	89	0.76	5.5	2.0	2.4	165
2Sg 200L-8	15	733	50.0	29.1	22.2	17	880	30.6	89.5	0.83	5.5	2.2	2.1	255
2Sg 225S-8	18.5	735	64	37	28.2	22	880	38	89.5	0.81	5.6	2.0	2.0	280
2Sg 225M-8	22	735	76	44	34	26	880	46	90.4	0.80	5.2	2.0	1.8	315
2Sg 250M-8	30	738	97	56	43	34	885	59	91.5	0.84	6.3	2.5	2.1	430
2Sg 280S-8	37	737	120	69	53	44	885	72.5	92.8	0.83	5.3	2.0	1.8	535
2Sg 280M-8	45	737	146	84	64	53	885	88	92.5	0.84	5.4	2.1	2.0	590
2Sg 315S-8	55	735	184	106	81	63	880	113	92.7	0.81	5.3	2.0	1.9	720
2Sg 315M-8A	75	737	246	142	108	87	880	151	93.2	0.82	6.2	2.5	1.9	750
2Sg 315M-8B	90	737	294	170	130	102	885	179	93.2	0.82	6.5	2.4	1.9	840
Sg 315M-8C	110	741	348	200	152	126	890	200	94.1	0.82	7.5	1.8	2.7	1060
Sg 355S-8	132	743	438	252	192	150	892	252	94.5	0.82	6.0	1.4	2.5	1320
SEE 355M-L8A	160	739	532	306	233	182	885	306	95.0	0.80	5.8	1.6	2.0	1600
SEE 355M-L8B	200	740	668	384	293	225	885	384	95.2	0.79	6.2	1.8	2.1	1750

* Progressive motors. For drawings on 8 pole motors see page 41-42 in our catalogue or website.

We reserve the right to make design changes.

DIMENSIONAL DRAWING FOOT MOTORS TYPE 2SIE IE2



Mounting arrangement B3

Type	A	B	C	D	E	F	GA	bW	H	K	AA	AB	BB	HA	HD	L
2SIE 80-A	125	100	50	19j6	40	6h9	21.5	1xM20x1.5	80	10	55	160	130	9	200	266
2SIE 80-B	125	100	50	19j6	40	6h9	21.5	1xM20x1.5	80	10	55	160	130	9	200	278
2SIE 90S-2,4,6	140	100	56	24j6	50	8h9	27	1xM20x1.5	90	10	41	170	153	10	228	331
2SIE 90L-2	140	125	56	24j6	50	8h9	27	1xM20x1.5	90	10	41	170	153	10	228	331
2SIE 90L-4,6,2A*	140	125	56	24j6	50	8h9	27	1xM20x1.5	90	10	41	170	153	10	228	356
2SIE 100L-6,2A,6A	160	140	63	28j6	60	8h9	31	1xM20x1.5	100	12	44	197	174	14	250	377
2SIE 100L-4A,4B	160	140	63	28j6	60	8h9	31	1xM20x1.5	100	12	44	197	174	14	250	421
2SIE 100L-6*	160	140	63	28j6	60	8h9	31	1xM20x1.5	100	12	44	197	174	14	250	377
2SIE 112M-2,6	190	140	70	28j6	60	8h9	31	1xM25x1.5	112	12	49	230	174	14	276	389
2SIE 112M-4,2A,2B,4A,6A*	190	140	70	28j6	60	8h9	31	1xM25x1.5	112	12	49	230	174	14	276	416
2SIE 132S-2A,6	216	140	89	38k6	80	10h9	41	1xM25x1.5	132	12	62	274	182	17	310	461
2SIE 132S-2B,4	216	140	89	38k6	80	10h9	41	1xM25x1.5	132	12	62	274	182	17	310	499
2SIE 132M-4,6A,6B	216	178	89	38k6	80	10h9	41	1xM25x1.5	132	12	62	274	220	17	310	499
2SIE 132M-2A,4A	216	178	89	38k6	80	10h9	41	1xM25x1.5	132	12	62	274	220	17	310	531
2SIE 160M-2A,2B,4,6	254	210	108	42k6	110	12h9	45	1xM40x1.5	160	15	60	305	256	22	365	611
2SIE 160L-2,4,6,2A	254	254	108	42k6	110	12h9	45	1xM40x1.5	160	15	60	305	300	22	365	655
2SIE 180M-2,4	279	241	121	48k6	110	14h9	51.5	1xM40x1.5	180	15	70	350	315	23	403	701
2SIE 180L-4,6	279	279	121	48k6	110	14h9	51.5	1xM40x1.5	180	15	70	350	315	23	403	701
2SIE 180L2,4A,6A	279	279	121	48k6	110	14h9	51.5	1xM40x1.5	180	15	70	350	315	23	403	758

Type	A	B	B1	C	D	E	F	GA	bW	H	HA	K	AA	AB	BA1	BA2	BB	HD	L
2SIE 200	318	305	-	133	55	110	16h9	59	2xM50	200	32	19	80	400	113	113	380	520	850
2SIE 225S4	356	286	311	149	60	140	18h9	64	2xM50	225	34	19	85	440	115	115	380	570	960
2SIE 225M2	356	286	311	149	55	110	16h9	59	2xM50	225	34	19	85	440	115	115	380	570	930
2SIE 225M4-6	356	286	311	149	60	140	18h9	64	2xM50	225	34	19	85	440	115	115	380	570	960
2SIE 250M2	406	349	-	168	60	140	18h9	64	2xM63	250	37	24	90	480	135	135	445	635	1010
2SIE 250M4-6	406	349	-	168	65	140	18h9	69	2xM63	250	37	24	90	480	135	135	445	635	1040
2SIE 280S2	457	368	419	190	65	140	18h9	69	2xM63	280	40	24	105	550	130	165	520	720	1135
2SIE 280S4-6	457	368	419	190	75	140	20h9	79.5	2xM63	280	40	24	105	550	130	165	520	720	1135
2SIE 280M2	457	368	419	190	65	140	18h9	69	2xM63	280	40	24	105	550	130	165	520	720	1135
2SIE 280M4-6	457	368	419	190	75	140	20h9	79.5	2xM63	280	40	24	105	550	130	165	520	720	1135
2SIE 315S2	508	406	457	216	65	140	18h9	69	2xM76	315	48	28	120	610	160	160	565	805	1235
2SIE 315S4-6	508	406	457	216	80	170	22h9	85	2xM76	315	48	28	120	610	160	160	565	805	1265
2SIE 315M2A,B	508	406	457	216	65	140	18h9	69	2xM76	315	48	28	120	610	160	160	565	805	1235
2SIE 315M4A,B,6A	508	406	457	216	80	170	22h9	85	2xM76	315	48	28	120	610	160	160	565	805	1265
2SIE 315M6B	508	406	457	216	80	170	22h9	85	2xM76	315	48	28	135	610	135	205	600	805	1355
2SIE 315M2C	508	406	457	216	70	140	20h9	74.5	2xM76	315	48	28	135	610	135	205	600	805	1290
2SIE 355ML (2)	610	560	630	254	80	170	22h9	85	2xM76	355	50	28	150	720	250	300	890	935	1580
2SIE 355ML (4,6)	610	560	630	254	100	210	28h9	106	2xM76	355	50	28	150	720	250	300	890	935	1620
2SIE 355H (2)	610	900	-	200	70	140	20h9	74.5	2xM90	355	45	28	160	730	265	265	1045	995	1800
2SIE 355H (4,6)	610	900	-	200	100	210	28h9	106	2xM90	355	45	28	160	730	265	265	1045	995	1870

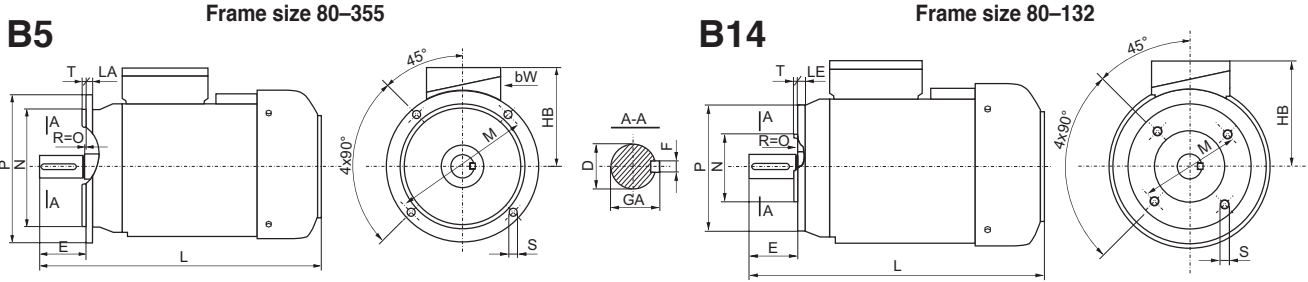
* Progressive motors Motors with termistors have also one extra gland M16.

Size and type of bearings

Motor type	2-poles motors (3000 rpm)		4, 6 and 8-poles motors (1500, 1000, 750 rpm)		
	A-(driving)side	B-side	A-(driving)side	B-side	A-side B5, B3/B5
2SIE 80	6204 2Z	6204 2Z	6204 2Z	6204 2Z	
2SIE 90	6205 2Z C3	6205 2Z C3	6205 2Z C3	6205 2Z C3	
2SIE 100	6206 2Z C3	6206 2Z C3	6206 2Z C3	6206 2Z C3	
2SIE 112	6306 2Z C3	6306 2Z C3	6306 2Z C3	6306 2Z C3	
2SIE 132	6308 2Z C3	6308 2Z C3	6308 2Z C3	6308 2Z C3	
2SIE 160	6309 2Z C3	6309 2Z C3	6309 2Z C3	6309 2Z C3	
2SIE 180	6311 2Z C3	6311 2Z C3	6311 2Z C3	6311 2Z C3	
	A-side	B-side	A-side B3	B-side	A-side B5, B3/B5
2SIE 200	6312 C3	6312 C3	NU312 C3	6312 C3	6312 C3
2SIE 225	6313 C3	6313 C3	NU313 C3	6313 C3	6313 C3
2SIE 250	6315 C3	6315 C3	NU315 C3	6315 C3	6315 C3
2SIE 280	6315 C3	6315 C3	NU318 C3	6318 C3	6318 C3
2SIE 315 S, MA, MB	6315 C3	6315 C3	NU318 C3	6318 C3	6318 C3
2SIE 315 MC, MD	6316 C3	6316 C3	NU320 C3	6318 C3	6320 C3

We reserve the right to make design changes.

DIMENSIONAL DRAWING FLANGE MOTORS TYPE 2SIE IE2



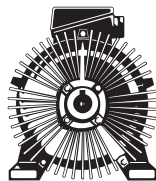
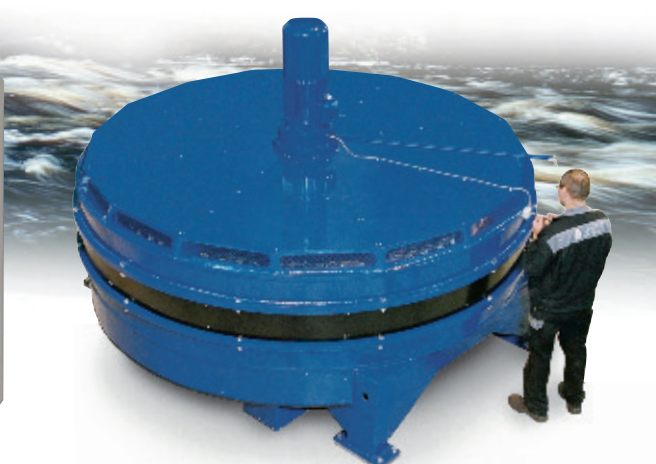
Mounting arrangement B5

Type	D	E	F	GA	bW	M	N	P	LA	T	S	HB	L
2SIEK 80-A	19j6	40	6h9	21.5	1xM20x1.5	165	130j6	200	10	3.5	12	120	266
2SIEK 80-B	19j6	40	6h9	21.5	1xM20x1.5	165	130j6	200	10	3.5	12	120	278
2SIEK 90S-2,4,6	24j6	50	8h9	27	1xM20x1.5	165	130j6	200	8	3.5	12	139	331
2SIEK 90L-2	24j6	50	8h9	27	1xM20x1.5	165	130j6	200	8	3.5	12	139	331
2SIEK 90L-4,6,2A	24j6	50	8h9	27	1xM20x1.5	165	130j6	200	8	3.5	12	139	356
2SIEK 100L-2,6,2A,6A	28j6	60	8h9	31	1xM20x1.5	215	180j6	250	11	4	15	150	421
2SIEK 100L-4A,4B	28j6	60	8h9	31	1xM20x1.5	215	180j6	250	11	4	15	150	421
2SIEK 112M-2,6	28j6	60	8h9	31	1xM25x1.5	215	180j6	250	12	4	15	165	389
2SIEK 112M-4,2A,2B,4A,6A	28j6	60	8h9	31	1xM25x1.5	215	180j6	250	12	4	15	165	416
2SIEK 132S-2A,6	38k6	80	10h9	41	1xM25x1.5	265	230j6	300	12	4	15	178	461
2SIEK 132S-2B,4,M2	38k6	80	10h9	41	1xM25x1.5	265	230j6	300	12	4	15	178	499
2SIEK 132M-4,6A,6B	38k6	80	10h9	41	1xM25x1.5	265	230j6	300	12	4	15	178	499
2SIEK 160M-2A,2B,4,6	42k6	110	12h9	45	1xM40x1.5	300	250j6	350	13	5	19	205	611
2SIEK 160L-2,4,6,2A	42k6	110	12h9	45	1xM40x1.5	300	250j6	350	13	5	19	205	655
2SIEK 180M-2,4	48k6	110	14h9	51.5	1xM40x1.5	300	250j6	350	13	5	19	224	701
2SIEK 180L-4,6	48k6	110	14h9	51.5	1xM40x1.5	300	250j6	350	13	5	19	224	701
2SIEK 180L2,4A,6A	48k6	110	14h9	51.5	1xM40x1.5	300	250j6	350	13	5	19	224	701
2SIEK 200	55	110	16h9	59	2xM50	350	300	400	16.5	5	19	320	850
2SIEK 225S4	60	140	18h9	64	2xM50	400	350	450	18	5	19	345	960
2SIEK 225M2	55	110	16h9	59	2xM50	400	350	450	18	5	19	345	930
2SIEK 225M4-6	60	140	18h9	64	2xM50	400	350	450	18	5	19	345	960
2SIEK 250M2	60	140	18h9	64	2xM63	500	450	550	23	5	19	385	1010
2SIEK 250M4-6	65	140	18h9	69	2xM63	500	450	550	23	5	19	385	1040
2SIEK 280S2	65	140	18h9	69	2xM63	500	450	550	23	5	19	440	1135
2SIEK 280S4-6	75	140	20h9	79.5	2xM63	500	450	550	23	5	19	440	1135
2SIEK 280M2	65	140	18h9	69	2xM63	500	450	550	23	5	19	440	1135
2SIEK 280M4-6	75	140	20h9	79.5	2xM63	500	450	550	23	5	19	440	1135
2SIEK 315S2	65	140	18h9	69	2xM76	600	550	660	23	6	24	490	1235
2SIEK 315S4-6	80	170	22h9	85	2xM76	600	550	660	23	6	24	490	1265
2SIEK 315M2A,B	65	140	18h9	69	2xM76	600	550	660	23	6	24	490	1235
2SIEK 315M4A,B,6A	80	170	22h9	85	2xM76	600	550	660	23	6	24	490	1265
2SIEK 315M6B*	80	170	22h9	85	2xM76	600	550	660	23	6	24	490	1355
2SIEK 315M2C*	70	140	20h9	74.5	2xM76	600	550	660	23	6	24	490	1290
2SIEK 315M4C*	80	170	22h9	85	2xM76	600	550	660	23	6	24	490	1320
2SIEK 315M6C*	80	170	22h9	85	2xM76	600	550	660	23	6	24	490	1320
2SIEK 315M6D*	90	170	25h9	95	2xM76	600	550	660	23	6	24	490	1320
2SIEK 355ML (4-6)*	100m6	210	18h9	106	2xM76	740	680	800	24	6	22	580	1620
2SIEK 355H (4-6)*	100m6	210	28h9	106	2xM90	740	680	800	24	6	22	638	1955

Mounting arrangement B14

* Only for vertical mounting. We reserve the right to make design changes.

Type	Flange	D	E	F	GA	bW	M	N	P	S	T	LE	HB	L
2SIEK 80-A1	B14/C1	19j6	40	6h9	21.5	1xM20x1.5	130	110j6	160	M8	3.5	14	120	266
2SIEK 80-A2	B14/C2	19j6	40	6h9	21.5	1xM20x1.5	100	80j6	120	M6	3	12	120	266
2SIEK 80-B1	B14/C1	19j6	40	6h9	21.5	1xM20x1.5	130	110j6	160	M8	3.5	14	120	278
2SIEK 80-B2	B14/C2	19j6	40	6h9	21.5	1xM20x1.5	100	80j6	120	M6	3	12	120	278
2SIEK 90S,2,4,6,L2	B14/C1	24j6	50	8h9	27	1xM20x1.5	130	110j6	160	M8	3.5	10	139	331
2SIEK 90S,2,4,6,L2	B14/C2	24j6	50	8h9	27	1xM20x1.5	115	95j6	140	M8	3	10	139	331
2SIEK 90L,4,6,2A	B14/C1	24j6	50	8h9	27	1xM20x1.5	130	110j6	160	M8	3.5	10	139	356
2SIEK 90L,4,6,2A	B14/C2	24j6	50	8h9	27	1xM20x1.5	115	95j6	140	M8	3	10	139	356
2SIEK 100L2,6,2A,6A	B14/C1	28j6	60	8h9	31	1xM20x1.5	165	130j6	200	M10	3.5	12	150	377
2SIEK 100L2,6,2A,6A	B14/C2	28j6	60	8h9	31	1xM20x1.5	130	110j6	160	M8	3.5	12	150	377
2SIEK 100L4B,4A	B14/C1	28j6	60	8h9	31	1xM20x1.5	165	130j6	200	M10	3.5	12	150	421
2SIEK 100L4B,4A	B14/C2	28j6	60	8h9	31	1xM20x1.5	130	110j6	160	M8	3.5	12	150	421
2SIEK 112M2,6	B14/C1	28j6	60	8h9	31	1xM25x1.5	165	130j6	200	M10	3.5	12	165	389
2SIEK 112M2,6	B14/C2	28j6	60	8h9	31	1xM25x1.5	130	110j6	160	M8	3.5	12	165	389
2SIEK 112M4,2A,2B,4A,6A	B14/C1	28j6	60	8h9	31	1xM25x1.5	165	130j6	200	M10	3.5	12	165	416
2SIEK 112M4,2A,2B,4A,6A	B14/C2	28j6	60	8h9	31	1xM25x1.5	130	110j6	160	M8	3.5	12	165	416
2SIEK 132S2A,6	B14/C1	38k6	80	10h9	41	1xM25x1.5	215	180j6	250	M12	4	12	178	461
2SIEK 132S2A,6	B14/C2	38k6	80	10h9	41	1xM25x1.5	165	130j6	200	M10	3.5	-	178	461
2SIEK 132S2B,4	B14/C1	38k6	80	10h9	41	1xM25x1.5	215	180j6	250	M12	4	12	178	499
2SIEK 132S2B,4	B14/C2	38k6	80	10h9	41	1xM25x1.5	165	130j6	200	M10	3.5	-	178	499
2SIEK 132M4,2,6A,6B	B14/C1	38k6	80	10h9	41	1xM25x1.5	215	180j6	250	M12	4	12	178	499
2SIEK 132M4,2,6A,6B	B14/C2	38k6	80	10h9	41	1xM25x1.5	165	130j6	200	M10	3.5	-	178	499
2SIEK 132M2A,4A	B14/C2	38k6	80	10h9	41	1xM25x1.5	165	130j6	200	M10	3.5	-	178	531



BEVI®

- A PART OF ADDTECH GROUP

Bevivägen 1, SE-384 30 Blomstermåla
 Phone +46 499 271 00, Fax +46 499 200 08
 E-mail: order@bevi.se, production@bevi.se

www.bevi.com

BEVI Nord AB
 Kontaktvägen 8
 SE-901 33 Umeå
 Tel. +46 90 70 44 30
 Fax +46 90 13 96 60
 E-mail: bevinord@bevi.se
www.bevi.se

BEVI A/S, Danmark
 Baldersbuen 14
 DK-2640 Hedehusene
 Tel. +45 39 67 36 05
 Fax +45 39 67 56 60
 E-mail: bevi@bevi.dk
www.bevi.dk

BEVI Norge AS
 Bjørnerudveien 13
 NO-1266 Oslo
 Tel. +47 22 61 54 42
 Fax +47 22 72 16 69
 E-mail: info@bevi.no
www.bevi.no

BEVI Finland OY AB
 Hannuksentie 6
 FI-02270 Espoo
 Tel. +358 9 2709 1210
 Fax +358 9 2709 1219
 E-mail: info@bevi.fi
www.bevi.fi

BEVI Est Oü
 Pärnu mnt. 238
 EE-11624 Tallinn
 Tel. +372 6828 755
 Fax +372 6828 754
 E-mail: bevi@bevi.ee
www.bevi.ee

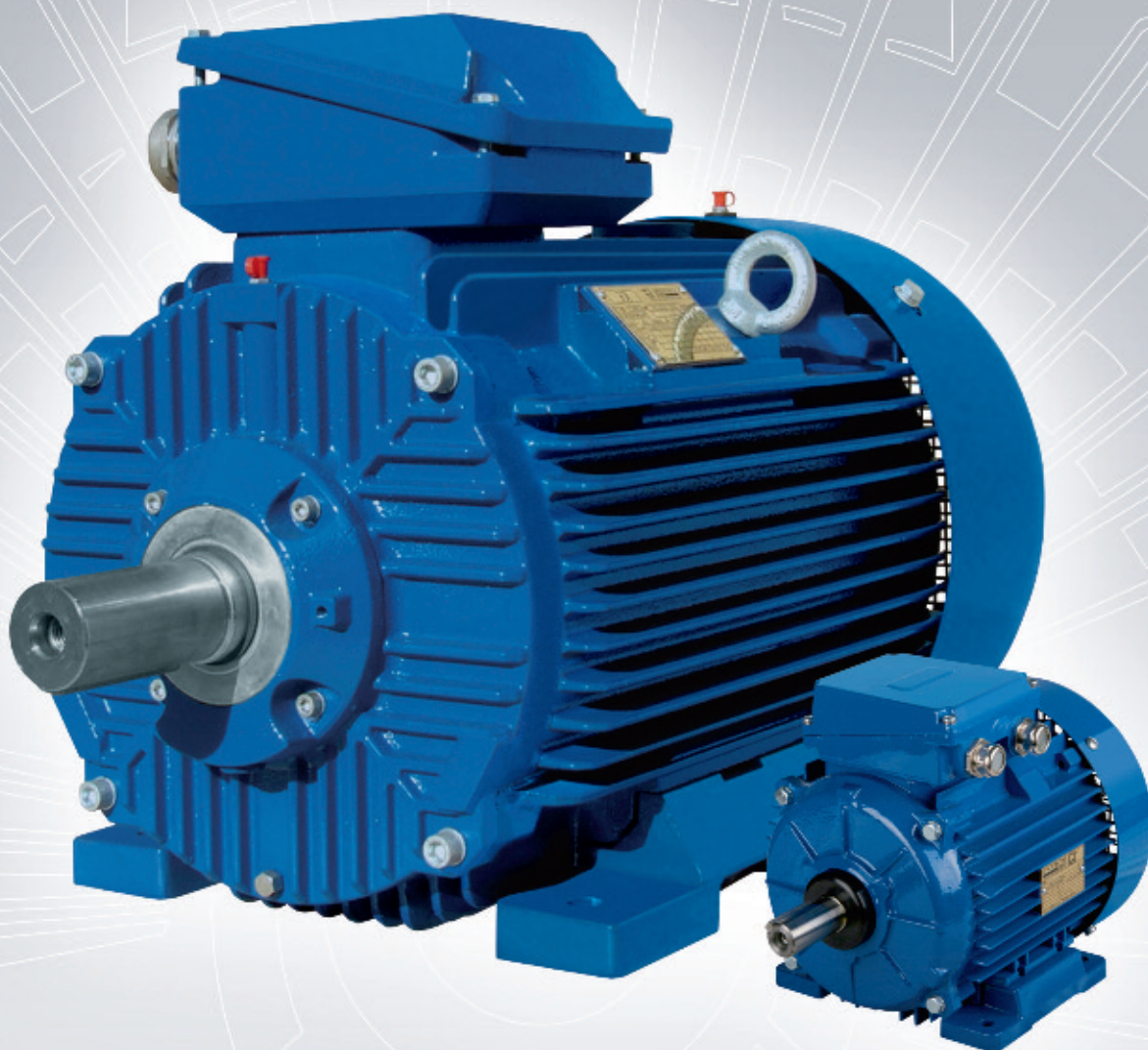
BEVI UAB
 Savanoriu 219
 LT-02300 Vilnius
 Tel. +370 5 2611 112
 Fax +370 5 2032 177
 E-mail: info@bevi.lt
www.bevi.lt

BEVI CHINA
 Room 801
 201 Xin Jinqiao Road
 Pudong New District
 201206 Shanghai
 Tel. +86 21 5032 5200
 Fax +86 21 5032 5202
 E-mail: sales@bevi.cn
www.bevi.cn



ELECTRIC MOTORS

3SIE IE3



www.bevi.com

TECHNICAL INFORMATION TYPE 3SIE IE3

Construction

3SIE have a stator house in aluminum from frame 80-112. End shields are in aluminum in frame 80-100 and in cast iron from frame 112. Flanges are in cast iron from frame 90. From frame 132 and up is the stator house in cast iron and also the end shields. Normally have foot motors in 2-4-6 pole execution roller bearing on drive side while 2 pole, flange- and foot/flange motors have ball bearings as standard. The motors are produced according to IEC60034-30: 2008, IEC60034-2-1:2007 and IEC 60034-30-1:2014. Standard are SS-EN 60 034-1 IEC 60072 and motors are marked with CE.

Voltage and Frequency

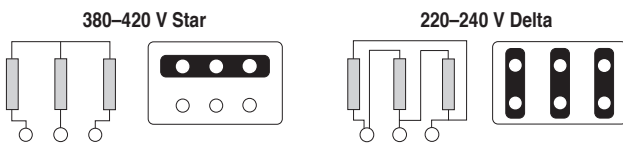
Motors are available for frequencies of 50Hz and 60Hz at standard voltage. Special voltage on request. The voltage can vary up to +/- 5%, without derating.

Maintenance

In normal use maintenance is limited to greasing of the bearings. All motors in sizes 200 and larger are fitted with grease nipples as standard. The bearings are lubricated with lithium based grease class 1. Smaller motors have closed bearing housings and sealed bearings, and can be considered maintenance free. For hard operations special bearings can be supplied – for example, for high ambient temperature and increased speed.

Voltage

Three phase single speed motors can normally be connected for two different voltage ranges (connection in star – higher voltage, or delta – lower voltage) with a ratio of $\sqrt{3}$. This gives a wide application range and simplified management of ordering and stockholding.



The above connection diagrams are applicable to range wound motors for supplies of 220-240 V (Delta connection) and 380-420 V (Star connection).

Examples:

a) 220-240 V Delta/380-420 V Star – may be labelled 230/400 V (Standard for motors 3 kW and smaller). Suitable for direct on line starting on 380-420 V supplies.

b) 380-420V Delta/660-720V Star – may be labelled 400 V Delta (Standard for motors 4 kW and larger). Suitable for Star/Delta starting on 380-420 volt supplies or direct on line starting on 660-720 V supplies.

Frequency

Motors wound for 50Hz supplies can also be used on 60Hz. Rated data can be calculated from the table below.

Voltage at 50Hz	Voltage at 60Hz	60Hz data as % of 50Hz data			
		Power P	Torque M	Starting torque Mst	Speed n
230	230	100	83	69	120
230	255	111	92	85	120
400	400	100	83	69	120
400	440	110	92	84	120
400	460	115	96	92	120
400	480	120	100	100	120
525	525	100	83	69	120
525	575	115	96	92	120

Enclosure (degree of protection)

Motors are produced in degree of protection IP55 as standard, but are also available to other standards.

Insulation Class

All motors are wound with Class F material, but calculated with temperature rise according to class B at 50Hz.

Balancing

Motors are balanced with a half key. Special degrees of balancing are available on request.

Standards

Motor construction, outputs, and fixing dimensions comply with IEC standards.

STANDARD	STANDARD EFFICIENCY
SS-EN 60 034-1 IEC 60072	IEC 60034-30: 2008 IEC 60034-2-1: 2007 IEC 60034-30-1: 2014

Thermistors

Protection is provided fitted in frame 160 and up. Thermistors are temperature sensitive resistors that at a certain temperature have a wide change of resistance. When connected with sensing relay it can be used to e.g. cut of the supply to main contactor coil.

Cooling

As standard, the fan and cowl is fitted at the non-drive end (cooling form IC 411). Other cooling methods can be supplied e.g. separately driven cooling fan (often used with inverter drives).

Heaters

Motors used in conditions of wide temperature variation or extreme climatic conditions can be damaged by condensation and dampness in the windings. In motors fitted with heaters, the windings are heated to a few degrees above ambient, which is enough to prevent condensation. Heaters must not be energised when the motor is running. Smaller motors can be heated by supplying a low voltage via the motor leads, using a supply of 5-10% of the rated voltage between two phases. BEVI can fit heaters to all motor sizes.

Ambient Temperature

The motors can operate at ambient 40 degrees and for Marine applications at 45 degrees if the motor not are placed over 1000 meter over the sea.

Duty

Motors are designed for S1 duty. The motors can also be used for S2-S9 duty.

Vibration Speed

The vibration speed complies with Class A of IEC60034-14 as standard. Class B can also be met if required by customer.

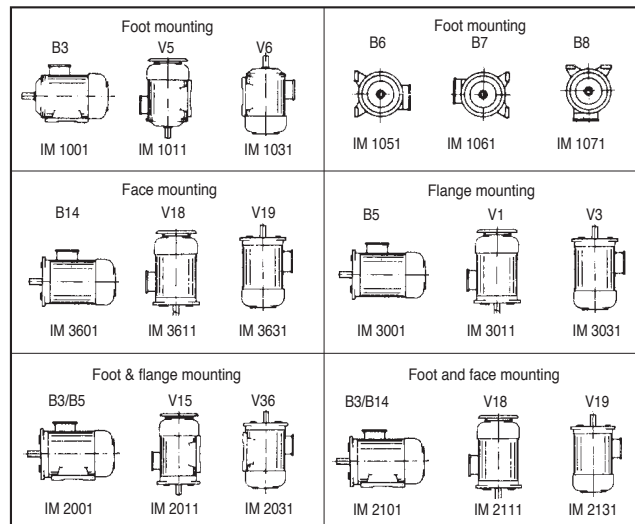
Noise Level

The noise level complies with IEC60034-9 as standard.

Recycling

Larger motors can advantageously be renovated. The motors will otherwise be treated as electronic waste in accordance with national laws and regulations. The motors can be recycled at very high extent.

Mounting arrangements



ELECTRIC MOTORS TYPE 3SIE IE3 – 2 poles – 3000rpm

Number of poles 2 3000 rpm	Power kW 50Hz	Full load speed rpm 50Hz	Full load current (A)			Power kW 60Hz	Full load speed rpm 60Hz	Full load current 60Hz 460V	Efficiency 50Hz IE3			Power factor Cos ψ	Starting current ratio Ia/In	Starting torque ratio Ma/Mn	Pull out torque ratio Mmax/Mn	Moment of inertia (J) kgm ²	Mass (B3) kg
			230V	400V	525V				100%	75%	50%						
3SIE 80-2A	0.75	2850	2.9	1.7	1.3	0.87	3445	1.9	82.0	82.0	79.0	0.82	6.3	3.8	3.8	0.0010	10.6
3SIE 80-2B	1.1	2840	3.8	2.2	1.6	1.3	3470	2.5	83.0	83.0	82.0	0.86	6.9	3.7	3.8	0.0014	11.9
3SIE 90-S2	1.5	2880	5.5	3.2	2.4	1.8	3460	3.3	84.2	84.5	82.8	0.81	8.0	3.5	3.6	0.0014	13.9
3SIE 90-L2	2.2	2900	8.0	4.6	3.5	2.6	3480	4.8	85.9	85.8	84.3	0.80	8.8	4.0	4.2	0.0019	19.4
3SIE 100-L2	3.0	2920	10.2	5.8	4.4	3.6	3505	6.0	87.1	87.7	86.2	0.85	9.3	3.2	3.4	0.0039	26.7
3SIE 112-M2	4.0	2930	12.8	7.4	5.6	4.8	3515	7.7	88.1	88.8	88.1	0.89	9.5	3.0	3.2	0.0075	41.0
3SIE 132-S2A	5.5	2940	17.4	10.0	7.6	6.6	3520	10.4	89.2	89.2	87.7	0.89	8.8	2.8	3.6	0.014	59.5
3SIE 132-S2B	7.5	2940	23.2	13.3	10.1	9.0	3530	13.8	90.1	90.3	89.0	0.90	9.2	3.0	3.7	0.017	70.8
3SIE 160-M2A	11.0	2945	33.6	19.3	14.7	13.2	3545	20.1	91.2	91.0	89.7	0.90	7.3	2.2	3.2	0.048	103
3SIE 160-M2B	15.0	2945	45.5	26.2	19.9	18.0	3545	27.2	91.9	91.9	89.8	0.90	7.4	2.2	3.3	0.059	118
3SIE 160-L2	18.5	2940	55.8	32.1	24.4	22.2	3535	33.4	92.4	92.8	92.2	0.90	7.7	2.3	3.0	0.072	132
3SIE 180-M2	22	2955	66.2	38.1	28.9	26.4	3540	39.6	92.7	92.9	92.1	0.90	9.2	3.2	3.7	0.095	190
3SIE 200-L2A	30	2965	89	51	38	34.5	3550	53	93.5	93.7	93.1	0.90	7.0	2.4	2.8	0.19	275
3SIE 200-L2B	37	2955	110	63	48	43	3545	66	93.7	93.8	93.5	0.90	6.3	2.2	2.6	0.20	295
3SIE 225-M2	45	2972	136	78	59	52	3565	81	94.2	94.6	94.2	0.88	6.7	2.0	2.6	0.26	385
3SIE 250-M2	55	2969	161	92	70	63	3560	96	94.5	94.8	94.5	0.91	6.9	2.2	2.9	0.42	495
3SIE 280-S2	75	2978	218	126	96	86	3575	131	94.7	94.8	94.2	0.91	6.7	1.8	2.9	0.76	660
3SIE 280-M2	90	2979	261	150	114	104	3575	156	95.0	95.1	94.5	0.91	7.3	1.8	3.1	0.95	690
3SIE 315-S2	110	2978	315	181	138	126.5	3575	188	95.2	95.6	95.4	0.92	6.9	1.9	2.9	0.98	865
3SIE 315-M2A	132	2977	377	217	165	152	3575	226	95.6	95.9	95.8	0.92	7.3	2.0	2.7	1.28	970
3SIE 315-M2B	160	2978	456	262	199	184	3575	272	95.8	96.1	95.9	0.92	8.2	2.2	3.1	1.57	1118
3SIE 315-M2C	200	2980	–	324	240	230	3575	337	95.8	96.1	95.9	0.93	8.1	2.3	3.1	1.74	1185

ELECTRIC MOTORS TYPE 3SIE IE3 – 4 poles – 1500rpm

Number of poles 4 1500 rpm	Power kW 50Hz	Full load speed rpm 50Hz	Full load current (A)			Power kW 60Hz	Full load speed rpm 60Hz	Full load current 60Hz 460V	Efficiency 50Hz IE3			Power factor Cos ψ	Starting current ratio Ia/In	Starting torque ratio Ma/Mn	Pull out torque ratio Mmax/Mn	Moment of inertia (J) kgm ²	Mass (B3) kg
			230V	400V	525V				100%	75%	50%						
3SIE 80-4B	0.75	1430	3.6	2.1	1.6	0.87	1715	2.2	82.5	82.0	81.5	0.64	5.7	3.8	3.8	0.0026	11.0
3SIE 90-S4	1.1	1440	4.4	2.6	2.0	1.3	1730	2.7	84.1	83.5	80.2	0.74	6.8	2.9	3.3	0.0036	18.0
3SIE 90-L4	1.5	1450	5.8	3.3	2.5	1.8	1740	3.4	85.3	85.0	79.2	0.76	6.4	2.5	2.8	0.0040	20.5
3SIE 100-L4A	2.2	1455	8.0	4.6	3.5	2.6	1745	4.8	86.7	86.4	84.4	0.80	8.5	3.0	3.3	0.0076	27.5
3SIE 100-L4B	3.0	1450	11.3	6.5	4.9	3.6	1740	6.8	87.7	88.0	86.3	0.76	8.6	3.7	4.2	0.0086	33.0
3SIE 112-M4	4.0	1460	14.3	8.3	6.3	4.8	1750	8.6	88.6	88.9	87.6	0.79	8.1	2.5	3.5	0.0115	39.0
3SIE 132-S4	5.5	1470	18.1	10.4	7.9	6.6	1765	10.8	89.6	89.8	88.6	0.85	8.5	2.5	3.4	0.036	73.5
3SIE 132-M4	7.5	1465	25.1	14.4	10.9	9.0	1750	15.0	90.4	91.0	90.4	0.83	8.8	2.6	3.5	0.042	82.0
3SIE 160-M4	11.0	1470	36.4	20.9	15.4	13.2	1765	21.7	91.4	91.3	89.8	0.83	7.3	2.3	2.8	0.088	127
3SIE 160-L4	15.0	1475	49.3	28.3	21.5	18.0	1770	29.4	92.1	92.1	90.8	0.83	8.1	2.8	3.2	0.104	135
3SIE 180-M4	18.5	1480	59.0	33.9	25.8	22.2	1765	35.7	92.6	92.1	90.4	0.84	7.9	2.6	3.0	0.162	190
3SIE 180-L4	22	1475	71.5	41.1	31.2	26.4	1770	42.7	93.0	92.5	90.5	0.83	8.4	3.2	3.4	0.185	200
3SIE 200-L4	30	1477	90	52	40	34.5	1770	54	93.8	94.3	94.2	0.89	6.4	2.1	2.6	0.38	329
3SIE 225-S4	37	1485	111	65	49	43	1780	68	94.0	94.4	94.1	0.87	6.9	2.0	2.8	0.51	373
3SIE 225-M4	45	1483	136	78	59	52	1780	81	94.3	94.8	94.4	0.88	7.1	2.1	2.7	0.59	410
3SIE 250-M4	55	1487	162	93	71	63	1780	97	94.7	94.8	94.0	0.90	7.6	2.5	2.9	1.00	520
3SIE 280-S4	75	1488	218	125	95	86	1785	130	95.0	95.0	93.9	0.91	6.8	2.0	2.5	1.37	710
3SIE 280-M4	90	1491	266	153	116	104	1790	159	95.4	95.5	94.9	0.89	8.4	2.6	3.0	1.80	761
3SIE 315-S4	110	1488	322	185	141	126.5	1785	192	95.4	95.5	95.1	0.90	6.6	2.0	2.4	2.25	920
3SIE 315-M4A	132	1489	381	219	166	152	1785	228	95.6	95.9	95.6	0.91	7.9	2.3	2.8	2.59	1030
3SIE 315-M4B	160	1490	466	268	204	184	1790	279	95.8	96.1	95.9	0.90	8.5	2.4	3.1	2.80	1130
3SIE 315-M4C	200	1488	–	333	253	230	1785	346	96.2	96.2	95.8	0.90	8.1	2.4	2.9	3.46	1205

We reserve the right to make design changes.

ELECTRIC MOTORS TYPE 3SIE IE3 – 6 poles – 1000rpm

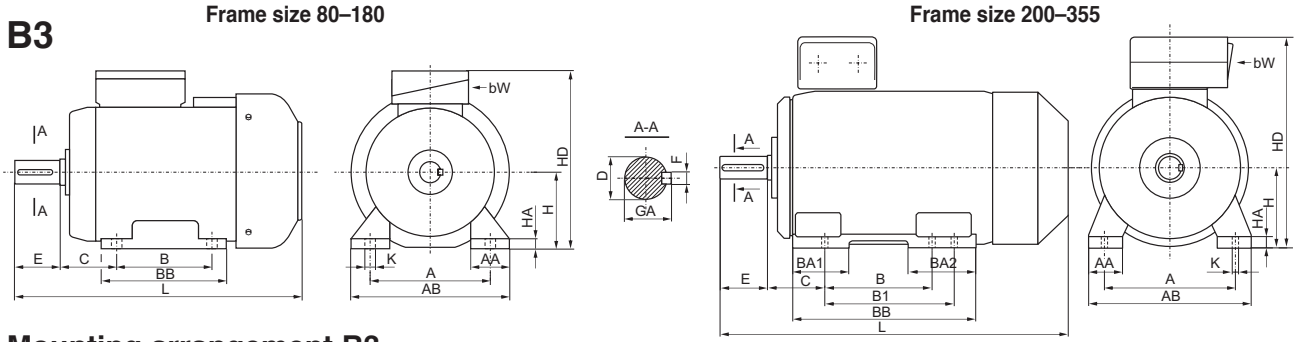
Number of poles 6 1000 rpm	Power kW 50Hz	Full load speed rpm 50Hz	Full load current (A)			Power kW 60Hz	Full load speed rpm 60Hz	Full load current 60Hz 460V	Efficiency 50Hz IE3			Power factor Cos ψ	Starting current ratio Ia/In	Starting torque ratio Ma/Mn	Pull out torque ratio Mmax/Mn	Moment of inertia (J) kgm ²	Mass (B3) kg
			230V	400V	525V				100%	75%	50%						
33SIE 90-S6	0.75	930	3.5	2.0	1.5	0.87	1115	2.1	78.9	79.2	75.9	0.69	4.8	2.8	3.2	0.0032	18.2
3SIE 90-L6	1.1	950	4.7	2.7	2.1	1.3	1140	2.8	81.0	81.3	78.2	0.73	5.5	2.4	2.7	0.0090	20.0
3SIE 100-L6	1.5	950	6.4	3.7	2.8	1.8	1140	3.7	82.5	82.8	80.5	0.71	5.5	2.4	2.6	0.0100	22.0
3SIE 112-M6	2.2	965	10.4	6.0	4.6	2.6	1160	6.0	84.3	84.1	81.3	0.63	5.5	2.2	3.3	0.0177	36.0
3SIE 132-S6	3.0	965	10.9	6.2	4.7	3.6	1160	6.5	85.6	86.1	84.9	0.81	6.3	2.0	2.6	0.0440	62.0
3SIE 132-M6A	4.0	965	14.3	8.2	6.2	4.8	1150	8.5	86.8	87.2	86.0	0.81	6.5	2.2	3.0	0.0579	72.0
3SIE 132-M6B	5.5	965	19.4	11.1	8.4	6.6	1150	11.5	88.0	88.4	87.6	0.81	7.0	2.4	3.5	0.0637	80.0
3SIE 160-M6	7.5	970	25.7	14.8	8.6	9.0	1165	15.2	89.5	89.9	89.0	0.82	6.8	2.1	2.9	0.1020	120
3SIE 160-L6	11.0	970	37.3	21.4	16.3	13.2	1165	22.3	90.3	90.5	89.6	0.82	7.0	2.2	3.0	0.1230	139
3SIE 180-L6	15.0	980	60	29.3	22.3	11.8	1175	29.3	91.2	91.3	90.0	0.81	7.3	3.3	2.8	0.2760	198
3SIE 200-L6A	18.5	988	63	36	27	22.2	1185	35.5	91.7	92.0	91.3	0.81	5.8	2.0	2.4	0.50	285
3SIE 200-L6B	22	987	73	42	32	26.4	1185	42	92.2	92.2	91.7	0.82	5.7	2.0	2.1	0.64	309
3SIE 225-M6	30	989	98	56	43	34.5	1185	56	92.9	92.9	92.3	0.83	6.4	1.9	2.3	0.89	392
3SIE 250-M6	37	991	121	70	53	43	1190	70	93.3	93.4	92.2	0.82	6.7	2.0	2.6	1.23	440
3SIE 280-S6	45	993	149	86	65	52	1190	86	93.7	93.8	92.9	0.81	7.3	2.3	2.6	1.70	635
3SIE 280-M6	55	992	179	103	78	63	1190	103	94.1	94.4	93.8	0.82	6.8	2.3	2.6	1.90	695
3SIE 315-S6	75	992	242	139	106	86	1190	139	94.7	95.0	94.6	0.82	7.1	2.4	2.6	2.40	900
3SIE 315-M6A	90	993	290	167	127	104	1190	167	95.1	95.4	95.1	0.82	7.6	2.6	2.7	2.93	965
3SIE 315-M6B	110	992	354	203	154	126.5	1190	203	95.2	95.6	95.2	0.82	7.5	2.8	2.8	3.40	1110
3SIE 315-M6C	132	992	–	241	183	152	1190	241	95.4	95.8	95.4	0.83	7.0	2.5	2.5	4.21	1230
3SIE 315-M6D	160	992	–	310	236	184	1190	310	95.6	95.7	95.2	0.78	8.0	3.3	2.7	4.36	1235

ELECTRIC MOTORS – 8 poles – 750rpm – Outside the IE2 and IE3 norms

Number of poles 8 750 rpm	Power kW 50Hz	Full load speed rpm 50Hz	Full load current (A)			Power kW 60Hz	Full load speed rpm 60Hz	Full load current 440-480V 460V 60Hz	Efficiency %	Power factor Cos ψ	Starting current ratio Ia/In	Starting torque ratio Ma/Mn	Pull out torque ratio Mmax/Mn	Moment of inertia (J) kgm ²	Mass (B3) kg
			220-240V 230V	380-420V 400V	525V										
Sh 63-8A	0.04	670	0.6	0.35	0.27	0.05	805	0.35	35	0.60	1.7	1.6	1.7	0.00024	3.6
Sh 63-8B	0.06	670	0.8	0.45	0.35	0.9	805	0.45	38	0.60	1.7	1.6	1.7	0.000307	4.2
Sh 71-8A	0.09	680	1.15	0.65	0.57	0.105	820	0.75	35	0.59	1.9	1.9	1.9	0.000736	4.9
Sh 71-8B	0.12	670	1.25	0.7	0.46	0.14	810	0.7	47	0.63	1.9	1.7	1.8	0.000946	5.8
Sh 71X-8C*	0.18	680	2.4	1.4	0.95	0.21	820	1.4	45	0.52	2.0	2.7	2.6	0.001221	7.3
Sh 80-8A	0.18	690	1.3	0.75	0.57	0.21	820	0.75	57	0.63	2.8	1.6	1.7	0.001693	7.5
Sh 80-8B	0.25	680	2.1	1.2	0.91	0.3	820	1.2	57	0.60	2.5	1.7	1.9	0.00207	8.9
Sh 80X-8C*	0.37	680	2.95	1.7	1.3	0.43	820	1.7	58	0.60	2.5	2.0	2.0	0.001693	11.0
Sh 80X-8D*	0.55	690	4.20	2.4	1.8	0.65	815	2.4	59	0.60	2.5	2.2	2.2	0.003451	12.7
ISSh 90S-8	0.37	695	2.4	1.4	1.05	0.45	835	1.4	63.4	0.59	2.9	1.7	2.3	0.0021	13.4
ISSh 90L-8	0.55	675	3.3	1.9	1.4	0.65	825	1.9	65	0.64	2.8	1.7	1.9	0.0024	15.3
ISSg 100L-8A	0.75	710	4.0	2.3	1.7	0.9	860	2.3	71.1	0.66	3.5	1.4	1.9	0.009	23.6
ISSg 100L-8B	1.1	705	5.9	3.4	2.6	1.3	855	3.4	72.2	0.65	3.6	1.6	1.9	0.01	26.3
ISSg 112M-8	1.5	720	6.9	4.0	3.1	1.8	870	4.0	76.8	0.71	4.6	1.9	2.3	0.0192	31
ISSg 132S-8	2.2	710	9.5	5.5	4.2	2.6	860	5.5	78.0	0.74	4.7	2.0	2.4	0.033	53
ISSg 132M-8	3.0	710	12.6	7.3	5.6	3.6	860	7.3	80.0	0.74	5.0	2.3	3.0	0.044	65
ISSg 160M-8A	4.0	705	16.1	9.3	7.0	4.8	850	9.3	81.5	0.76	5.0	2.2	2.7	0.06	85
ISSg 160M-8B	5.5	710	22.2	12.7	9.7	6.6	855	12.7	83	0.75	5.5	2.7	3.0	0.077	95
ISSg 160L-8	7.5	705	28.2	16.3	12.5	9.0	850	16.3	84.5	0.78	5.8	2.7	3.0	0.102	115
ISSg 180L-8	11.0	730	40.7	23.5	17.9	13.2	880	23.5	89	0.76	5.5	2.0	2.4	0.213	165
2Sg 200L-8	15	733	50.0	29.1	22.2	17	880	30.6	89.5	0.83	5.5	2.2	2.1	0.45	255
2Sg 225S-8	18.5	735	64	37	28.2	22	880	38	89.5	0.81	5.6	2.0	2.0	0.58	280
2Sg 225M-8	22	735	76	44	34	26	880	46	90.4	0.80	5.2	2.0	1.8	0.68	315
2Sg 250M-8	30	738	97	56	43	34	885	59	91.5	0.84	6.3	2.5	2.1	1.27	430
2Sg 280S-8	37	737	120	69	53	44	885	72.5	92.8	0.83	5.3	2.0	1.8	1.47	535
2Sg 280M-8	45	737	146	84	64	53	885	88	92.5	0.84	5.4	2.1	2.0	1.8	590
2Sg 315S-8	55	735	184	106	81	63	880	113	92.7	0.81	5.3	2.0	1.9	2.16	720
2Sg 315M-8A	75	737	246	142	108	87	880	151	93.2	0.82	6.2	2.5	1.9	2.29	750
2Sg 315M-8B	90	737	294	170	130	102	885	179	93.2	0.82	6.5	2.4	1.9	2.86	840
Sg 315M-8C	110	741	348	200	152	126	890	200	94.1	0.82	7.5	1.8	2.7	5.1	1060
Sg 355S-8	132	743	438	252	192	150	892	252	94.5	0.82	6.0	1.4	2.5	7.2	1320
SEE 355M-L8A	160	739	532	306	233	182	885	306	95.0	0.80	5.8	1.6	2.0	6.1	1600
SEE 355M-L8B	200	740	668	384	293	225	885	384	95.2	0.79	6.2	1.8	2.1	7.5	1750

* Progressive motors. For drawings on 8 pole motors see page 40 in our catalogue or website. We reserve the right to make design changes.

DIMENSIONAL DRAWING FOOT MOTORS TYPE 3SIE IE3



Mounting arrangement B3

Type	A	B	C	D	E	F	GA	H	bW	K	AA	AB	BB	HA	HD	L
3SIE 80-A	125	100	50	19j6	40	6h9	21.5	80	1xM20x1.5	10	55	160	130	9	199	278
3SIE 80-B	125	100	50	19j6	40	6h9	21.5	80	1xM20x1.5	10	55	160	130	9	199	306
3SIE 90S-2	140	100	56	24j6	50	8h9	27	90	1xM20x1.5	10	41	170	153	10	228	331
3SIE 90L-2,6	140	125	56	24j6	50	8h9	27	90	1xM20x1.5	10	41	170	153	10	228	356
3SIE 90S-4,6	140	125	56	24j6	50	8h9	27	90	1xM20x1.5	10	41	170	153	10	228	356
3SIE 90L-4	140	125	56	24j6	50	8h9	27	90	1xM20x1.5	10	41	170	153	10	228	376
3SIE 100L-2,6	160	140	63	28j6	60	8h9	31	100	1xM20x1.5	12	44	197	174	14	250	377
3SIE 100L-4A,4B	160	140	63	28j6	60	8h9	31	100	1xM20x1.5	12	44	197	174	14	250	421
3SIE 112M-2,4,6	190	140	70	28j6	60	8h9	31	112	1xM25x1.5	12	49	230	174	14	276	416
3SIE 132S	216	140	89	38k6	80	10h9	41	132	1xM25x1.5	12	61	266	220	18	329	512
3SIE 132M	216	178	89	38k6	80	10h9	41	132	1xM25x1.5	12	61	266	220	18	329	512
3SIE 160M	254	210	108	42k6	110	12h9	45	160	1xM40x1.5	15	81	320	300	25	383	643
3SIE 160L	254	254	108	42k6	110	12h9	45	160	1xM40x1.5	15	81	320	300	25	383	643
3SIE 180M-2,4	279	241	121	48k6	110	14h9	51.5	180	1xM40x1.5	15	92	353	320	27	414	758
3SIE 180L-4,6	279	279	121	48k6	110	14h9	51.5	180	1xM40x1.5	15	92	353	320	27	414	758

Type	A	B	B1	C	D	E	F	GA	bW	H	HA	K	AA	AB	BA1	BA2	BB	HD	L
3SIE 200	318	305	-	133	55	110	16	59	2xM50	200	32	19	80	400	113	113	380	520	850
3SIE 225S-4	356	286	311	149	60	140	18	64	2xM50	225	34	19	85	440	115	115	380	570	930
3SIE 225M2	356	286	311	149	55	110	16	59	2xM50	225	34	19	85	440	115	115	380	570	900
3SIE 225M4-6	356	286	311	149	60	140	18	64	2xM50	225	34	19	85	440	115	115	380	570	930
3SIE 250M2	406	349	-	168	60	140	18	64	2xM63	250	37	24	90	480	135	135	445	635	1010
3SIE 250M4-6	406	349	-	168	65	140	18	69	2xM63	250	37	24	90	480	135	135	445	635	1040
3SIE 280S2	457	368	419	190	65	140	18	69	2xM63	280	40	24	105	550	130	165	520	720	1135
3SIE 280S4-6	457	368	419	190	75	140	20	79.5	2xM63	280	40	24	105	550	130	165	520	720	1135
3SIE 280M2	457	368	419	190	65	140	18	69	2xM63	280	40	24	105	550	130	165	520	720	1135
3SIE 280M4-6	457	368	419	190	75	140	20	79.5	2xM63	280	40	24	105	550	130	165	520	720	1135
3SIE 315S2	508	406	457	216	65	140	18	69	2xM76	315	48	28	120	610	160	160	565	805	1235
3SIE 315S4-6	508	406	457	216	80	170	22	85	2xM76	315	48	28	120	610	160	160	565	805	1265
3SIE 315M2A;B	508	406	457	216	65	140	18	69	2xM76	315	48	28	120	610	160	160	565	805	1235
3SIE 315M4A;B;6A	508	406	457	216	80	170	22	85	2xM76	315	48	28	120	610	160	160	565	805	1265
3SIE 315M6B	508	406	457	216	80	170	22	85	2xM76	315	48	28	135	610	135	205	600	805	1355
3SIE 315M2C	508	406	457	216	70	140	20	74.5	2xM76	315	48	28	135	610	135	205	600	805	1290
3SIE 315M4C	508	406	457	216	80	170	22	85	2xM76	315	48	28	135	610	135	205	600	805	1230
3SIE 315M6C	508	406	457	216	80	170	22	85	2xM76	315	48	28	135	610	135	205	600	805	1320
3SIE 315M6D	508	406	457	216	90	170	25	95	2xM76	315	48	28	135	610	135	205	600	805	1320
3SIE 355 ML (2)	610	560	630	254	80	170	22	85	2xM76	355	50	28	150	720	250	300	890	935	1580
3SIE 355 ML (4, 6)	610	560	630	254	100	210	28	106	2xM76	355	50	28	150	720	250	300	890	935	1620
3SIE 355 H (2)	610	900	-	200	70	140	20	74.5	2xM90	355	45	28	160	730	265	265	1045	995	1800
3SIE 355 H (4, 6)	610	900	-	200	100	210	28	106	2xM90	355	45	28	160	730	265	265	1045	995	1870

Motors with thermistors have also one extra gland M16.

Size and type of bearings

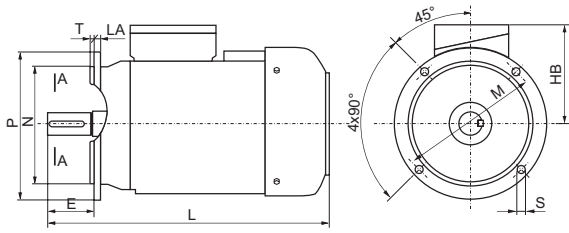
Motor type	2-poles motors (3000 rpm)		4, 6 and 8-poles motors (1500, 1000, 750 rpm)		
	A-(driving)side	B-side	A-(driving)side	B-side	
3SIE 80	6204 2Z C3	6204 2Z C3	6204 2Z C3	6204 2Z C3	
3SIE 90	6205 2Z C3	6205 2Z C3	6205 2Z C3	6205 2Z C3	
3SIE 100	6206 2Z C3	6206 2Z C3	6206 2Z C3	6206 2Z C3	
3SIE 112	6306 2Z C3	6306 2Z C3	6306 2Z C3	6306 2Z C3	
3SIE 132	6308 2Z C3	6308 2Z C3	6308 2Z C3	6308 2Z C3	
3SIE 160	6309 2Z C3	6309 2Z C3	6309 2Z C3	6309 2Z C3	
3SIE 180	6311 2Z C3	6311 2Z C3	6311 2Z C3	6311 2Z C3	
	A-side	B-side	A-side B3	B-side	A-side B5, B3/B5
3SIE 200	6312 C3	6312 C3	NU312 C3	6312 C3	6312 C3
3SIE 225	6313 C3	6313 C3	NU313 C3	6313 C3	6313 C3
3SIE 250	6315 C3	6315 C3	NU315 C3	6315 C3	6315 C3
3SIE 280	6315 C3	6315 C3	NU318 C3	6318 C3	6318 C3
3SIE 315 S, MA, MB	6315 C3	6315 C3	NU318 C3	6318 C3	6318 C3
3SIE 315 MC, MD	6316 C3	6316 C3	NU320 C3	6318 C3	6320 C3

We reserve the right to make design changes.

DIMENSIONAL DRAWING FLANGE MOTORS TYPE 3SIE IE3

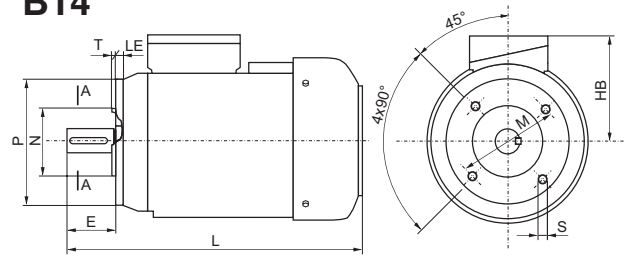
B5

Frame size 80–355



B14

Frame size 80–132



Mounting arrangement IM B5, IM V1

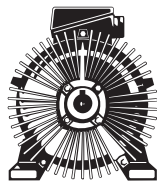
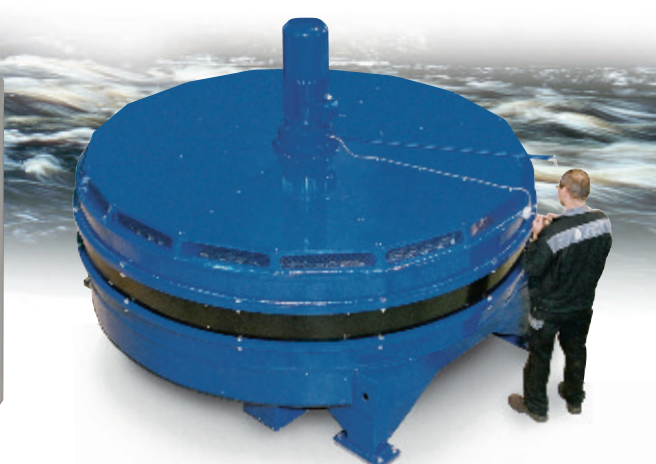
Type	D	E	F	GA	M	N	P	LA	T	HB	L	S (ø)	S (hole)
3SIEK 80-.A	19j6	40	6h9	21.5	165	130j6	200	10	3.5	119	278	12	4
3SIEK 80-.B	19j6	40	6h9	21.5	165	130j6	200	10	3.5	119	306	12	4
3SIEK 90S-2	24j6	50	8h9	27	165	130j6	200	8	3.5	139	331	12	4
3SIEK 90L-2,6	24j6	50	8h9	27	165	130j6	200	8	3.5	139	356	12	4
3SIEK 90S-4,6	24j6	50	8h9	27	165	130j6	200	8	3.5	139	356	12	4
3SIEK 90L-4	24j6	50	8h9	27	165	130j6	200	8	3.5	139	376	12	4
3SIEK 100L-2,6	28j6	60	8h9	31	215	180j6	250	11	4	150	377	15	4
3SIEK 100L-4A,4B	28j6	60	8h9	31	215	180j6	250	11	4	150	421	15	4
3SIEK 112M-2,4,6	28j6	60	8h9	31	215	190j6	250	12	4	165	416	15	4
3SIEK 132S	38k6	80	10h9	41	265	230j6	300	12	4	197	512	15	4
3SIEK 132M	38k6	80	10h9	41	265	230j6	300	12	4	197	512	15	4
3SIEK 160M	42k6	110	12h9	45	300	250j6	350	13	5	223	643	19	4
3SIEK 160L	42k6	110	12h9	45	300	250j6	350	13	5	223	643	19	4
3SIEK 180M-2,4	48k6	110	14h9	51.5	300	250j6	350	13	5	234	758	19	4
3SIEK 180L-4,6	48k6	110	14h9	51.5	300	250j6	350	13	5	234	758	19	4
3SIEK 200	55	110	16	59	350	300	400	16.5	5	320	850	19	4
3SIEK 225S4	60	140	18	64	400	350	450	18	5	345	930	19	8
3SIEK 225M2	55	110	16	59	400	350	450	18	5	345	900	19	8
3SIEK 225M4-6	60	140	18	64	400	350	450	18	5	345	930	19	8
3SIEK 250M2	60	140	18	64	500	450	550	23	5	385	1010	19	8
3SIEK 250M4-6	65	140	18	69	500	450	550	23	5	385	1040	19	8
3SIEK 280S2	65	140	18	69	500	450	550	23	5	440	1135	19	8
3SIEK 280S4-6	75	140	20	79.5	500	450	550	23	5	440	1135	19	8
3SIEK 280M2	65	140	18	69	500	450	550	23	5	440	1135	19	8
3SIEK 280M4-6	75	140	20	79.5	500	450	550	23	5	440	1135	19	8
3SIEK 315S2*	65	140	18	69	600	550	660	23	6	490	1235	24	8
3SIEK 315S4-6*	80	170	22	85	600	550	660	23	6	490	1265	24	8
3SIEK 315M2A;B*	65	140	18	69	600	550	660	23	6	490	1235	24	8
3SIEK 315M4A;B;6A*	80	170	22	85	600	550	660	23	6	490	1265	24	8
3SIEK 315M6B*	80	170	22	85	600	550	660	23	6	490	1355	24	8
3SIEK 315M2C*	70	140	20	74.5	600	550	660	23	6	490	1290	24	8
3SIEK 315M4C*	80	170	22	85	600	550	660	23	6	490	1320	24	8
3SIEK 315M6C*	80	170	22	85	600	550	660	23	6	490	1320	24	8
3SIEK 315M6D*	90	170	25	95	600	550	660	23	6	490	1320	24	8
3SIEK 355 ML (4-6)*	100m6	210	28h9	106	740	680	800	24	6	580	1620	22	8
3SIEK 355 H (4-6)*	100m6	210	28h9	106	740	680	800	24	6	638	1955	22	8

* Only for vertical mounting.

Mounting arrangement IM B14

We reserve the right to make design changes.

Type	Flange	D	E	F	GA	M	N	P	S	T	LE	HB	L
3SIEK 80-.A1	B14/C1	19j6	40	6h9	21.5	130	110j6	160	M8	3.5	14	119	278
3SIEK 80-.A2	B14/C2	19j6	40	6h9	21.5	100	80j6	120	M6	3	12	119	306
3SIEK 80-.B1	B14/C1	19j6	40	6h9	21.5	130	110j6	160	M8	3.5	14	119	278
3SIEK 80-.B2	B14/C2	19j6	40	6h9	21.5	100	80j6	120	M6	3	12	119	306
3SIEK 90S 2	B14/C1	24j6	50	8h9	27	130	110j6	160	M8	3.5	10	139	331
3SIEK 90S 2	B14/C2	24j6	50	8h9	27	115	95j6	140	M8	3	10	139	331
3SIEK 90L 2,6	B14/C1	24j6	50	8h9	27	130	110j6	160	M8	3.5	10	139	356
3SIEK 90L 2,6	B14/C2	24j6	50	8h9	27	115	95j6	140	M8	3	10	139	356
3SIEK 90S 4,6	B14/C1	24j6	50	8h9	27	130	110j6	160	M8	3.5	10	139	356
3SIEK 90S 4,6	B14/C2	24j6	50	8h9	27	115	95j6	140	M8	3	10	139	356
3SIEK 90L 4	B14/C1	24j6	50	8h9	27	130	110j6	160	M8	3.5	10	139	376
3SIEK 90L 4	B14/C2	24j6	50	8h9	27	115	95j6	140	M8	3	10	139	376
3SIEK 100L2,6	B14/C1	28j6	60	8h9	31	165	130j6	200	M10	3.5	12	150	377
3SIEK 100L2,6	B14/C2	28j6	60	8h9	31	130	110j6	160	M8	3.5	12	150	377
3SIEK 100L4A,4B	B14/C1	28j6	60	8h9	31	165	130j6	200	M10	3.5	12	150	421
3SIEK 100L4A,4B	B14/C2	28j6	60	8h9	31	130	110j6	160	M8	3.5	12	150	421
3SIEK 112M2,4,6	B14/C1	28j6	60	8h9	31	165	130j6	200	M10	3.5	12	165	416
3SIEK 112M2,4,6	B14/C2	28j6	60	8h9	31	130	110j6	160	M8	3.5	12	165	416
3SIEK 132S	B14/C1	38k6	80	10h9	41	215	180j6	250	M12	4	12	197	512
3SIEK 132S	B14/C2	38k6	80	10h9	41	165	130j6	200	M10	3.5	12	197	512
3SIEK 132M	B14/C1	38k6	80	10h9	41	215	180j6	250	M12	4	12	197	512
3SIEK 132M	B14/C2	38k6	80	10h9	41	165	130j6	200	M10	3.5	12	197	512



BEVI®

- A PART OF ADDTECH GROUP

Bevivägen 1, SE-384 30 Blomstermåla
 Phone +46 499 271 00, Fax +46 499 200 08
 E-mail: order@bevi.se, production@bevi.se

www.bevi.com

BEVI Nord AB
 Kontaktvägen 8
 SE-901 33 Umeå
 Tel. +46 90 70 44 30
 Fax +46 90 13 96 60
 E-mail: bevinord@bevi.se
www.bevi.se

BEVI A/S, Danmark
 Baldersbuen 14
 DK-2640 Hedehusene
 Tel. +45 39 67 36 05
 Fax +45 39 67 56 60
 E-mail: bevi@bevi.dk
www.bevi.dk

BEVI Norge AS
 Bjørnerudveien 13
 NO-1266 Oslo
 Tel. +47 22 61 54 42
 Fax +47 22 72 16 69
 E-mail: info@bevi.no
www.bevi.no

BEVI Finland OY AB
 Hannuksenpelto 6
 FI-02270 Espoo
 Tel. +358 9 2709 1210
 Fax +358 9 2709 1219
 E-mail: info@bevi.fi
www.bevi.fi

BEVI Est Oü
 Pärnu mnt. 238
 EE-11624 Tallinn
 Tel. +372 6828 755
 Fax +372 6828 754
 E-mail: bevi@bevi.ee
www.bevi.ee

BEVI UAB
 Savanoriu 219
 LT-02300 Vilnius
 Tel. +370 5 2611 112
 Fax +370 5 2032 177
 E-mail: info@bevi.lt
www.bevi.lt

BEVI CHINA
 Room 801
 201 Xin Jinqiao Road
 Pudong New District
 201206 Shanghai
 Tel. +86 21 5032 5200
 Fax +86 21 5032 5202
 E-mail: sales@bevi.cn
www.bevi.cn