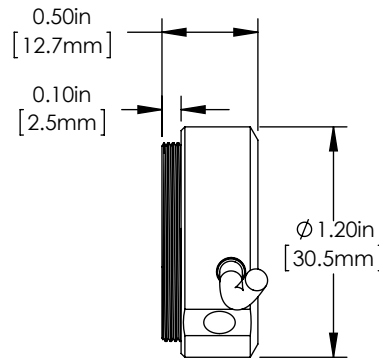
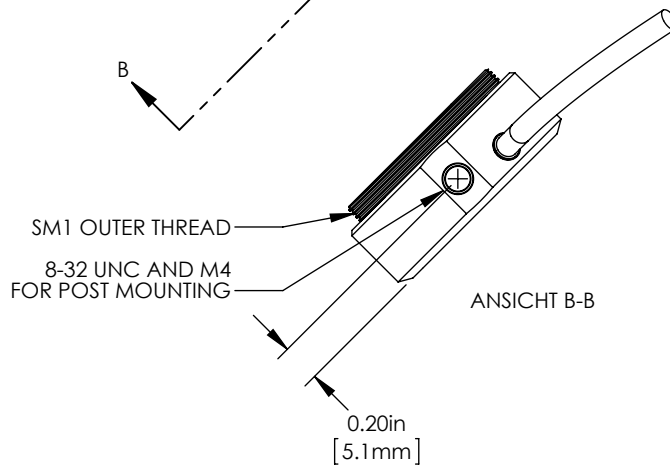
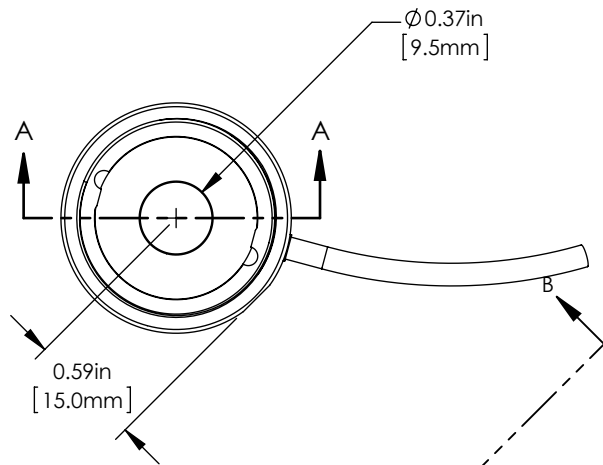
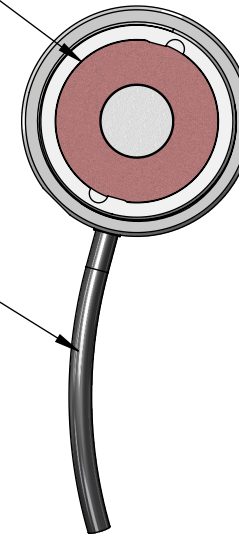


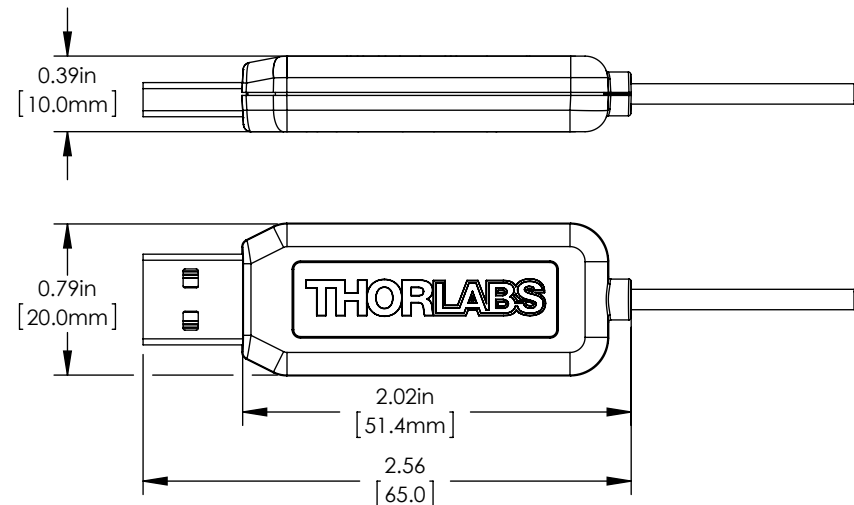
SECTION A-A



VIS/IR VIEWING TARGET  
(TARGET IS REMOVEABLE)



60" (1.5M)  
SENSOR CABLE



FOR INFORMATION ONLY  
NOT FOR MANUFACTURING PURPOSES

DRAWING PROJECTION



	NAME	DATE
DRAWN	GO	11/MAY/15
APPROVAL	MG	12/MAY/15

COPYRIGHT © 2015 BY THORLABS

VALUES IN PARENTHESIS ARE CALCULATED AND MAY CONTAIN ROUND OFF ERRORS

**THORLABS**  
www.thorlabs.com

USB GERMANIUM POWER METER

MATERIAL N/A REV A

ITEM # PM16-122 APPROX WEIGHT 0.07 kg