

Pushbutton cock with DVGW approval

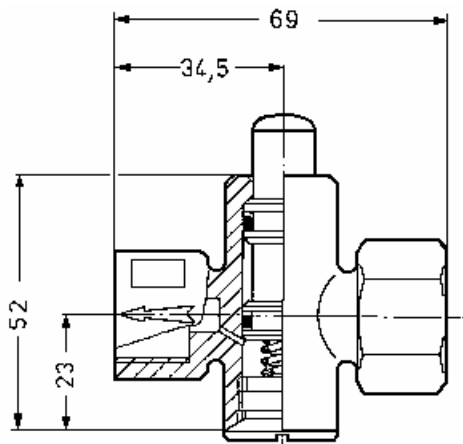
for gases up to PN 4

Description

The pushbutton cock shuts off the connection between the measuring media line and the pressure measuring instrument.

Upon pressing the pushbutton the cock opens the passage in the direction of the arrow.

The passage is shut off again when the pushbutton is released.



Technical data:

Material:	Brass
	Surface, nickel-plated
Seals:	Perbunan
Pressure	High-grade stainless steel spring:
Connections:	Spanner width, 27 mm Rp 1/2", DIN 2999 / infeed G 1/2, ISO 228 / outfeed
Nominal pressure:	PN 4 bar

Function in conjunction with pressure gauge

Normal status:	Measuring gauge, pressureless, vented, no display;
Pushbutton pressed:	Measuring instrument under pressure, display
Pushbutton released:	Measuring gauge pressureless, vented, no display;

Model: A1304X080001