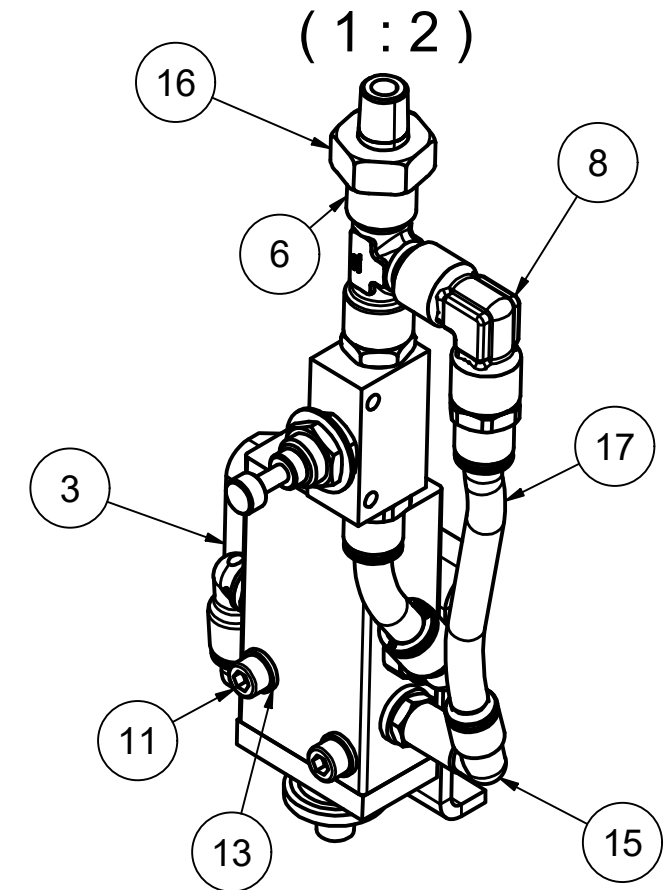
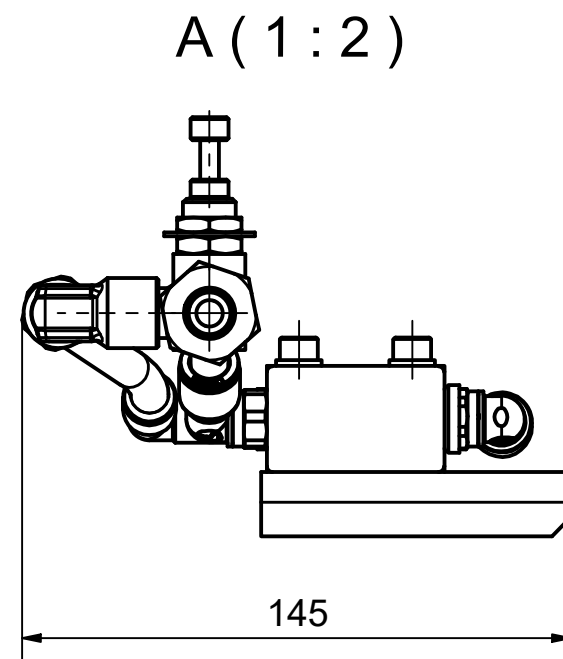
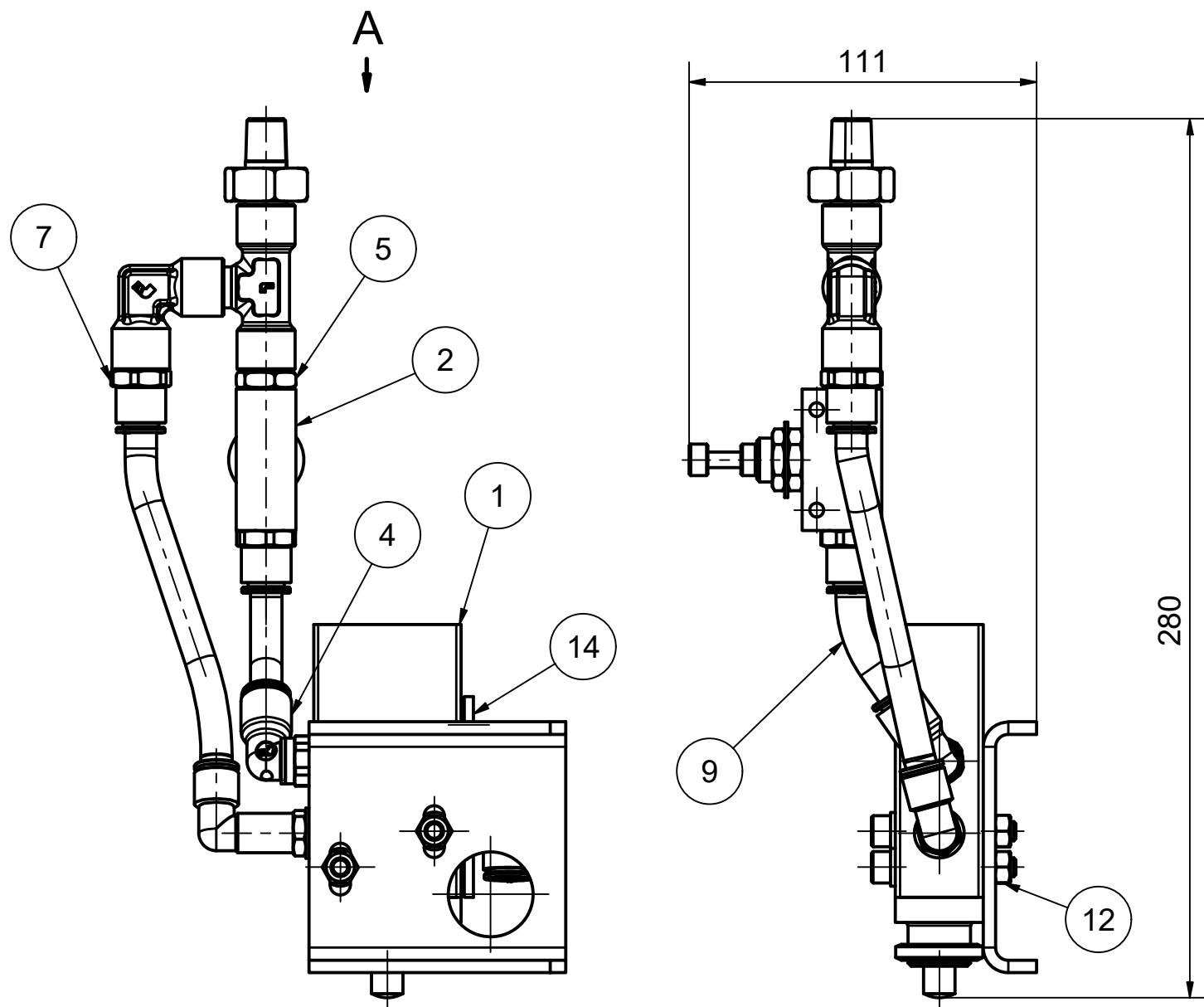


Pos.	Qty.	Product No.	Description	Size	Standard	Material	Surface treatment	Weight	Supplier	Art.Nr.	Supplier	Draw exist	HZI**	CAT*
17	1	40208064	Hose	8x150		PTFE	untreated	0.0 kg				No	No	PP
16	1	40207398	Adapter	G1/4"		Supplier material	untreated	0.0 kg	Norgren AG	150332828		No	No	PP
15	1	40207384	Air connection	G1/4"		Supplier material	untreated	0.0 kg	Norgren AG	101540828		No	No	PP
14	2	40147638	Plug	G1/4"17x11		Supplier material	untreated	0.0 kg	Norgren AG	162060028		No	No	PP
13	4	ISO 7089 - 6	Washer			St 200HV hot dip galvanised		0.0 kg				No	No	PP
12	2	ISO 4032 - M6	Hexagon nuts			St 8 hot dip galv		0.0 kg				No	No	PP
11	2	ISO 4762 - M6 x 40	Hexagon Socket Head Cap Screw			St 8.8 hot dip galv		0.0 kg				No	No	PP
9	1	40171594	Hose	8x70		PTFE	untreated	0.0 kg				No	No	PP
8	1	40171666	Duct elbow	G1/4"		Supplier material	untreated	0.0 kg	Norgren AG	160420028		No	No	PP
7	2	40171592	Adapter	G1/4"		Supplier material	untreated	0.0 kg	Norgren AG	102250828		No	No	PP
6	1	40153564	Pipe tee	G1/4"		Supplier material	untreated	0.0 kg	Norgren AG	150690028		No	No	PP
5	1	40171665	Adapter	G1/4"		Supplier material	untreated	0.0 kg	Norgren AG	160202828		No	No	PP
4	2	40171378	Air connection	G1/4"		Supplier material	untreated	0.0 kg	Norgren AG	102470828		No	No	PP
3	1	40208045	Angle sheet	82x100.1x4		1.0037 (S235JR)	Coating acc. to TSD	0.2 kg				Yes	No	-
2	1	40159987	Valve	61.5x45x25		Supplier material	Coating acc. to TSD	0.0 kg	Norgren AG	T1000C2800		No	No	PP
1	1	40148628	Valve	119x47x28		Supplier material	Coating acc. to TSD	0.1 kg	Norgren AG	X3066402		No	No	PP



Dimension 280x145x111		Material		
00	Model update	bami 15.01.2020	Ilol 28.01.2020	Ilol 28.01.2020
Rev.	Modification	Drawn	Checked	Approved
Project-No. 0888	Project Name Standard	Description Air pressure manifold		
Reservation of rights of ISO 16016 The reproduction, distribution and utilization of this document as well as the communication of its contents to others without express authorization is prohibited. Offenders will be held liable for the payment of damages. All rights reserved in the event of the grant of a patent, utility model or design. Hitachi Zosen Inova AG		AIC	12BAM1	
		Weight	0.5 kg	
		Scale	1 : 2	
		Status	Released	
		Size	A3	
		Sheet	DocType	Supplier
		1 / 1	DOE	HZI
		Drawing-No.		Revision
		40208043		00

