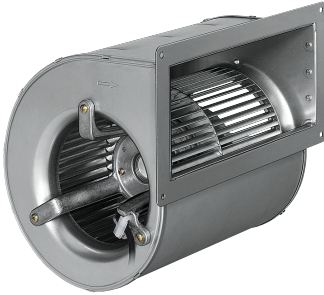


D2E146-AP47-22

AC centrifugal fan with housing (small flange)

forward curved, dual inlet



ebm-papst Mulfingen GmbH & Co. KG

Bachmühle 2

74673 Mulfingen

Phone: +49 7938 81-0

Fax: +49 7938 81-110

www.ebmpapst.com

info1@de.ebmpapst.com

Nominal data

Type	D2E146-AP47-22		
Motor	M2E068-EC		
Phase		1~	1~
Nominal voltage	[V]	230	230
Frequency	[Hz]	50	60
Type of data definition		ml	ml
Valid for approval / standard		CE	CE
Speed	[min ⁻¹]	2050	2550
Power input	[W]	300	330
Current draw	[A]	1.31	1.45
Motor capacitor	[μF]	8	8
Capacitor voltage	[VDB]	400	400
Min. back pressure	[Pa]	200	400
Max. ambient temperature	[°C]	30	25
Air flow	[m ³ /h]	970	690
Back pressure	[Pa]	200	400
Sound pressure level	[dB(A)]	63	68

ml = max. load · me = max. efficiency · rfa = running at free air · cs = customer specs · cu = customer unit
Subject to alterations

Technical features

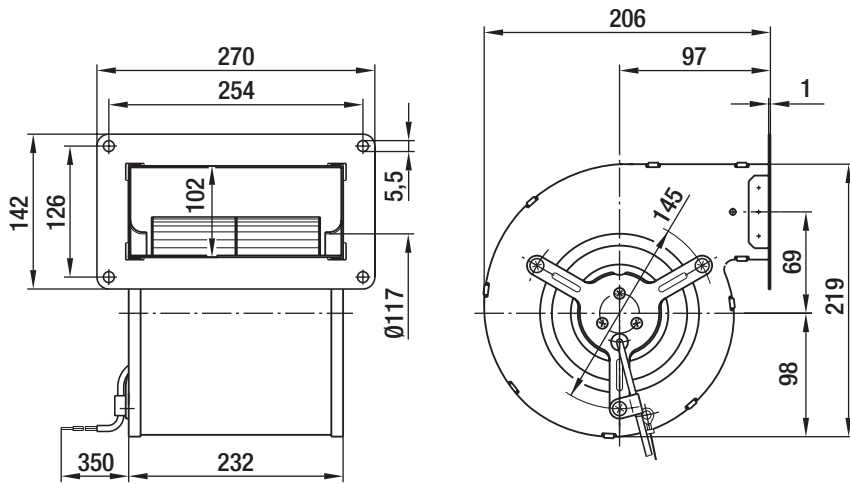
General description	With flange
Size	146 mm
Operation mode	Continuous operation (S1)
Direction of rotation	Counter-clockwise, seen on rotor
Insulation class	"B"
Cable exit	Axial
Bearing-motor	Ball bearing
Mass	4.2 kg
Housing material	Sendzimir galvanized sheet steel
Material of impeller	Sendzimir galvanized sheet steel
Motor protection	Thermal overload protector (TOP) wired internally
Product conforming to standard	CE
Type of protection	IP 44
Protection class	I
Approval	CCC; GOST

D2E146-AP47-22

AC centrifugal fan with housing (small flange)

forward curved, dual inlet

Product drawing

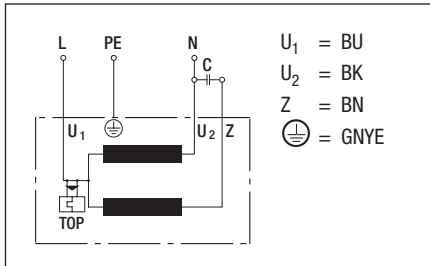


D2E146-AP47-22

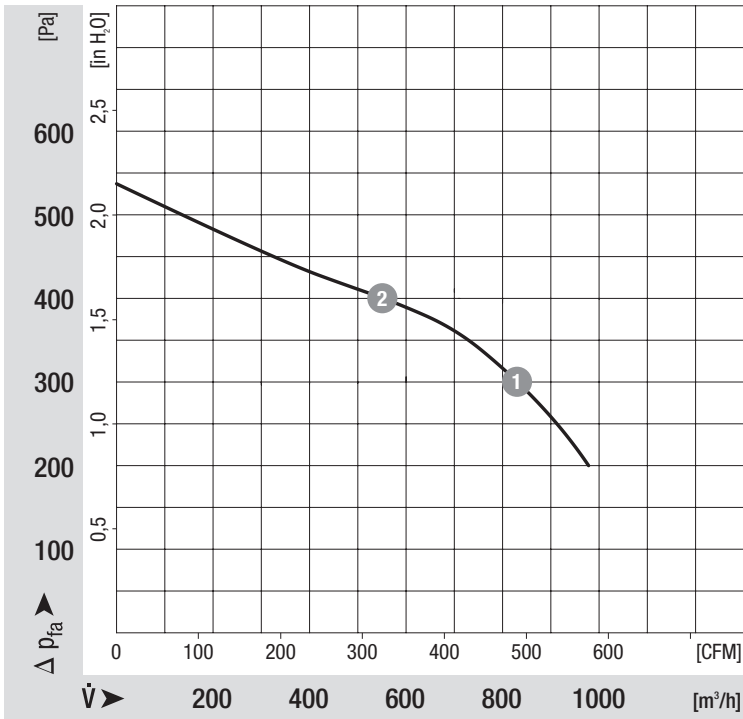
AC centrifugal fan with housing (small flange)

forward curved, dual inlet

Connection screen



Charts: Air flow 50 Hz



	n	P ₁	I
	[min ⁻¹]	[W]	[A]
1	2300	262	1.15
2	2600	206	0.91

Charts: Air flow 60 Hz

