

# LINEAR MOTORS P01-23X80F-HP



- ✓ Higher maximum peak force and acceleration
- ✓ Increased duration of force and acceleration
- ✓ Higher permissible operating temperatures with less self-heating
- ✓ In comparison with the standard motors , a smaller HP motor can be used with the same load.

## LINEAR MOTORS P01-23x80F-HP

- / TECHNICAL DATA / ..... 53**
- / MOTOR SPECIFICATIONS / ..... 57**
  - P01-23x80F/0x60-HP ..... 57
  - P01-23x80F/20x80-HP ..... 58
  - P01-23x80F/40x100-HP ..... 59
  - P01-23x80F/70x130-HP ..... 60
  - P01-23x80F/100x160-HP ..... 61
  - P01-23x80F/140x200-HP ..... 62
  - P01-23x80F/160x220-HP ..... 63
  - P01-23x80F/220x280-HP ..... 64
  - P01-23x80F/290x350-HP ..... 65
  - P01-23x80F/350x410-HP ..... 66
  - P01-23x80F/450x510-HP ..... 67
  - P01-23x80F/630x690-HP ..... 68
  - P01-23x80F/720x780-HP ..... 69
- / LINEAR GUIDES / ..... 70**
- / ACCESSORIES / ..... 71**



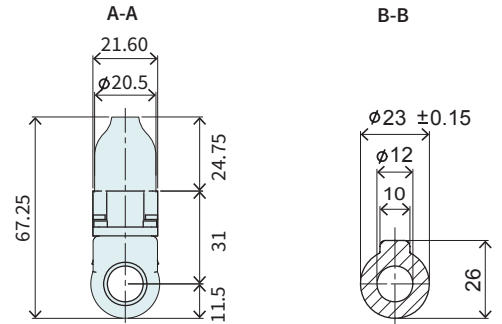
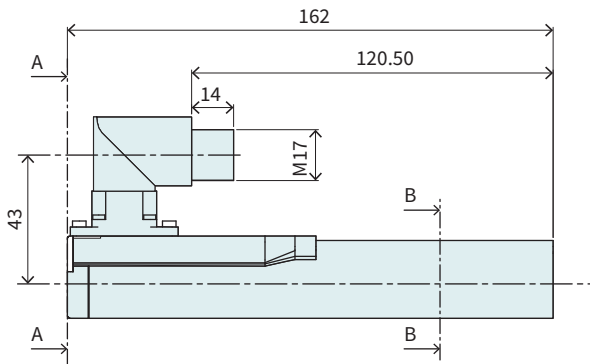
## MOTOR FAMILY P01-23x80F-HP



Technical Data				
<b>Stroke</b>				
Standard Stroke (SS)	mm (in)		≤ 720 (≤ 28.3)	
Extended Stroke (ES)	mm (in)		≤ 780 (≤ 30.69)	
<b>Force</b>				
Max. Force @ 48VDC	N (lbf)		67.1 (15.1)	
Max. Force @ 72VDC	N (lbf)		67.1 (15.1)	
Max. Cont. Force [Passive cooling / Fan / Fluid]	N (lbf)		14 / 23 / - (3.2 / 5.3 / -)	
Max. Border Force relative	%		≤ 63	
Force Constant	N/A <sub>pk</sub> (lbf/A <sub>pk</sub> )		8.95 (2.01)	
<b>Velocity</b>				
Max. Velocity @ 48VDC	m/s (in/s)		4.9 (189.9)	
Max. Velocity @ 72VDC	m/s (in/s)		7.3 (289.9)	
<b>Position Detection</b>				
Position Resolution	mm (in)		0.002 (0.0001)	
Repeatability	mm (in)		±0.05 (±0.002)	
Position Resolution with ES	mm (in)		0.001 (0.00004)	
Repeatability with ES	mm (in)		±0.01 (±0.0004)	
Linearity with ES	mm (in)		±0.01 (±0.0004)	
<b>Electrical Data</b>				
Max. Current @ 48VDC	A <sub>pk</sub>		7.4	
Max. Current @ 72VDC	A <sub>pk</sub>		7.4	
Max. Cont. Current [Passive cooling / Fan / Fluid]	A <sub>pk</sub>		1.6 / 2.6 / -	
Terminal Resistance 25 °C / 150 °C	Ohm		4.2 / 6.2	
Terminal Inductivity	mH		0.6	
Magnetic Period	mm (in)		20 (0.78)	
<b>Thermal Data</b>				
Max. Winding Temperature (Sensor)	°C		120	
Thermal Resistance [Passive cooling / Fan / Fluid]	°K/W		5.4 / 2 / -	
Thermal Time Constant [Passive cooling / Fan / Fluid]	s		650 / 240 / -	
<b>Mechanical Data</b>				
Stator Diameter	mm (in)		23 (0.91)	
Stator Length [Connector type / Cable type]	mm (in)		162 / 177 (6.4 / 7)	
Stator Mass	g (lb)		265 (0.58)	
Slider Diameter	mm (in)		12 (0.47)	
Slider Length	mm (in)		130 - 850 (5.1 - 33)	
Slider Mass	g (lb)		90 - 700 (0.19 - 1.5)	
IP Code			IP 65	
<b>Certification</b>				
cURus	File-No.		E354430	

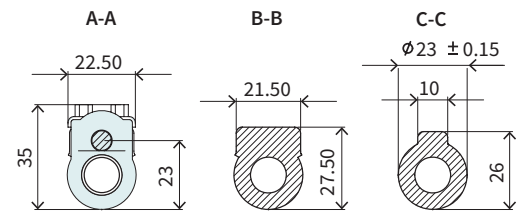
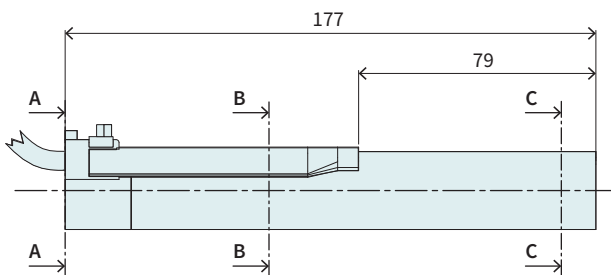
**STATOR CONNECTOR TYPE**

3



Item	Description	Item-No.
PS01-23x80F-HP-R	Stator HP with IP67 Connector M17/9(m)	<a href="#">0150-1259</a>

**STATOR CABLE TYPE**

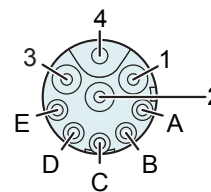


Item	Description	Item-No.
PS01-23x80F-HP-R20	Stator HP, 0.2m Cable, IP67 St. M17/9(m)	<a href="#">0150-1260</a>

**CONNECTOR**

Motor Connector Wiring	PS01-23x80F-HP-R PS01-23x80F-HP-R20	Wire color motor cable
	R-Connector	
Ph 1+	1	red
Ph 1-	2	pink
Ph 2+	3	blue
Ph 2-	4	grey
+5VDC	A	white
GND	B	inner shield
Sin	C	yellow
Cos	D	green
Temp.	E	black
Shield	Housing	outer Shield

**R-Connector**

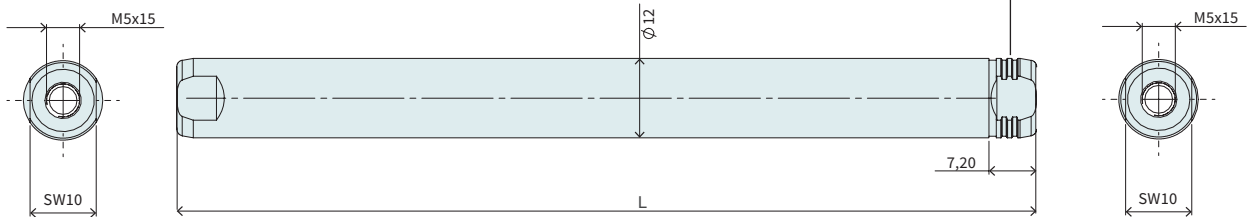


View: Motor Connector, plug side

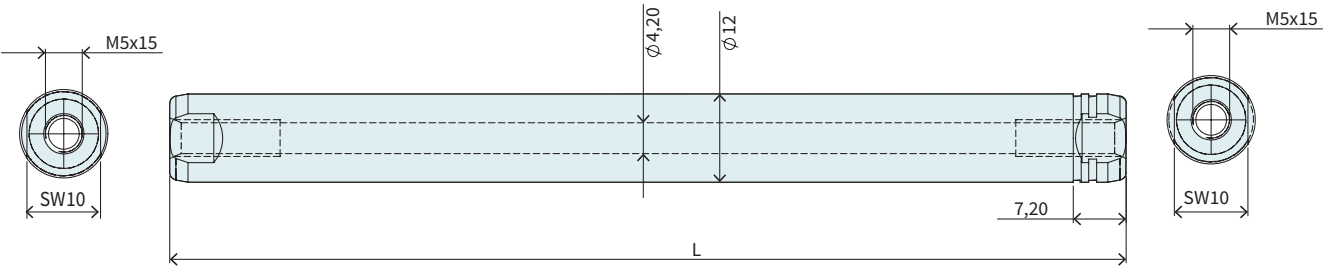
**SLIDER**

Number of grooves determines the slider type (see chapter 2 / slider) and marks the front end.

**Slider HP / Heavy Duty HP**



**Hollow slider HP**



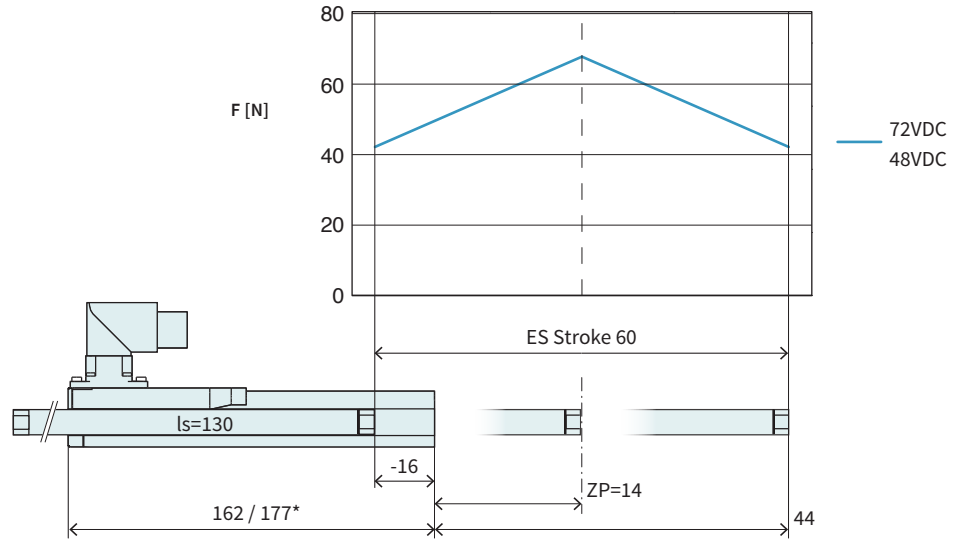
Slider High Performance				
Item	Description	Max. Stroke [mm]	Standard Stroke [mm]	Item-No.
PL01-12x130/90-HP	Slider 'High Performance'	60	0	<a href="#">0150-2209</a>
PL01-12x150/110-HP	Slider 'High Performance'	80	20	<a href="#">0150-2281</a>
PL01-12x170/130-HP	Slider 'High Performance'	100	40	<a href="#">0150-1529</a>
PL01-12x200/160-HP	Slider 'High Performance'	130	70	<a href="#">0150-1518</a>
PL01-12x230/190-HP	Slider 'High Performance'	160	100	<a href="#">0150-1519</a>
PL01-12x270/230-HP	Slider 'High Performance'	200	140	<a href="#">0150-1520</a>
PL01-12x290/250-HP	Slider 'High Performance'	220	160	<a href="#">0150-1521</a>
PL01-12x350/310-HP	Slider 'High Performance'	280	220	<a href="#">0150-1522</a>
PL01-12x420/380-HP	Slider 'High Performance'	350	290	<a href="#">0150-1523</a>
PL01-12x480/440-HP	Slider 'High Performance'	410	350	<a href="#">0150-1524</a>
PL01-12x580/540-HP	Slider 'High Performance'	510	450	<a href="#">0150-1525</a>
PL01-12x760/720-HP	Slider 'High Performance'	690	630	<a href="#">0150-1526</a>
PL01-12x850/810-HP	Slider 'High Performance'	780	720	<a href="#">0150-1527</a>

Slider Heavy Duty High Performance				
Item	Description	Max. Stroke [mm]	Standard Stroke [mm]	Item-No.
PL02-12x130/90-HP	Slider 'heavy duty' 'High Performance'	60	0	<a href="#">0150-2983</a>
PL02-12x150/110-HP	Slider 'heavy duty' 'High Performance'	80	20	on request
PL02-12x170/130-HP	Slider 'heavy duty' 'High Performance'	100	40	<a href="#">0150-1559</a>
PL02-12x200/160-HP	Slider 'heavy duty' 'High Performance'	130	70	<a href="#">0150-1532</a>
PL02-12x230/190-HP	Slider 'heavy duty' 'High Performance'	160	100	<a href="#">0150-1552</a>
PL02-12x270/230-HP	Slider 'heavy duty' 'High Performance'	200	140	<a href="#">0150-1533</a>
PL02-12x290/250-HP	Slider 'heavy duty' 'High Performance'	220	160	<a href="#">0150-1495</a>
PL02-12x350/310-HP	Slider 'heavy duty' 'High Performance'	280	220	<a href="#">0150-1555</a>
PL02-12x420/380-HP	Slider 'heavy duty' 'High Performance'	350	290	<a href="#">0150-1554</a>
PL02-12x480/440-HP	Slider 'heavy duty' 'High Performance'	410	350	<a href="#">0150-2519</a>
PL02-12x580/540-HP	Slider 'heavy duty' 'High Performance'	510	450	<a href="#">0150-2520</a>
PL02-12x760/720-HP	Slider 'heavy duty' 'High Performance'	690	630	<a href="#">0150-2521</a>
PL02-12x850/810-HP	Slider 'heavy duty' 'High Performance'	780	720	<a href="#">0150-2516</a>

Slider 'High Performance L'				
Item	Description	Max. Stroke [mm]	Standard Stroke [mm]	Item-No.
PL01-12x130/90-HP-L	Slider 'High Performance L'	60	0	<a href="#">0150-3687</a>
PL01-12x150/110-HP-L	Slider 'High Performance L'	80	20	on request
PL02-12x170/130-HP-L	Slider 'High Performance L'	100	40	<a href="#">0150-3688</a>
PL02-12x200/160-HP-L	Slider 'High Performance L'	130	70	<a href="#">0150-3689</a>
PL02-12x230/190-HP-L	Slider 'High Performance L'	160	100	<a href="#">0150-2546</a>
PL02-12x270/230-HP-L	Slider 'High Performance L'	200	140	<a href="#">0150-2557</a>
PL02-12x290/250-HP-L	Slider 'High Performance L'	220	160	<a href="#">0150-3690</a>
PL02-12x350/310-HP-L	Slider 'High Performance L'	280	220	<a href="#">0150-3691</a>
PL02-12x420/380-HP-L	Slider 'High Performance L'	350	290	<a href="#">0150-3692</a>
PL02-12x480/440-HP-L	Slider 'High Performance L'	410	350	<a href="#">0150-3693</a>
PL02-12x580/540-HP-L	Slider 'High Performance L'	510	450	<a href="#">0150-3694</a>
PL02-12x760/720-HP-L	Slider 'High Performance L'	690	630	<a href="#">0150-3695</a>
PL02-12x850/810-HP-L	Slider 'High Performance L'	780	720	on request

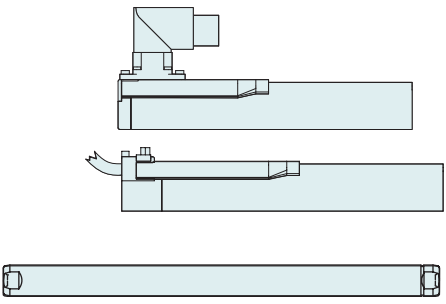
**P01-23x80F/0x60-HP**

**Max. Stroke:** 60 mm  
**Peak Force:** 67 N



Dimensions in mm  
 \*Cable Type

Technical Data P01-23x80F/0x60-HP			
<b>Stroke</b>			
Standard Stroke (SS)	mm (in)		0 (0)
Extended Stroke (ES)	mm (in)		60 (2.35)
<b>Force</b>			
Max. Force @ 48VDC	N (lbf)		67.1 (15.1)
Max. Force @ 72VDC	N (lbf)		67.1 (15.1)
Max. Cont. Force [Passive cooling/ Fan / Fluid]	N (lbf)		14 / 23 / - (3.2 / 5.3 / -)
Max. Border Force relative	%		63
Force Constant	N/A <sub>pk</sub> (lbf/A <sub>pk</sub> )		8.95 (2.01)
<b>Velocity</b>			
Max. Velocity @ 48VDC	m/s (in/s)		4.9 (189.9)
Max. Velocity @ 72VDC	m/s (in/s)		7.3 (289.9)
<b>Position Detection</b>			
Repeatability	mm (in)		±0.05 (±0.002)
Linearity	%		± 0.5
<b>Electrical Data</b>			
Max. Current @ 48VDC	A <sub>pk</sub>		7.4
Max. Current @ 72VDC	A <sub>pk</sub>		7.4
Max. Cont. Current [Passive cooling / Fan / Fluid]	A <sub>pk</sub>		1.6 / 2.6 / -
<b>Thermal Data</b>			
Max. Winding Temperature (Sensor)	°C		120
Thermal Resistance [Passive cooling / Fan / Fluid]	*K/W		5.4 / 2 / -
Thermal Time Constant [Passive cooling / Fan / Fluid]	s		650 / 240 / -
<b>Mechanical Data</b>			
Slider Length	mm (in)		130 (5.1)
Slider Mass	g (lb)		90 (0.2)



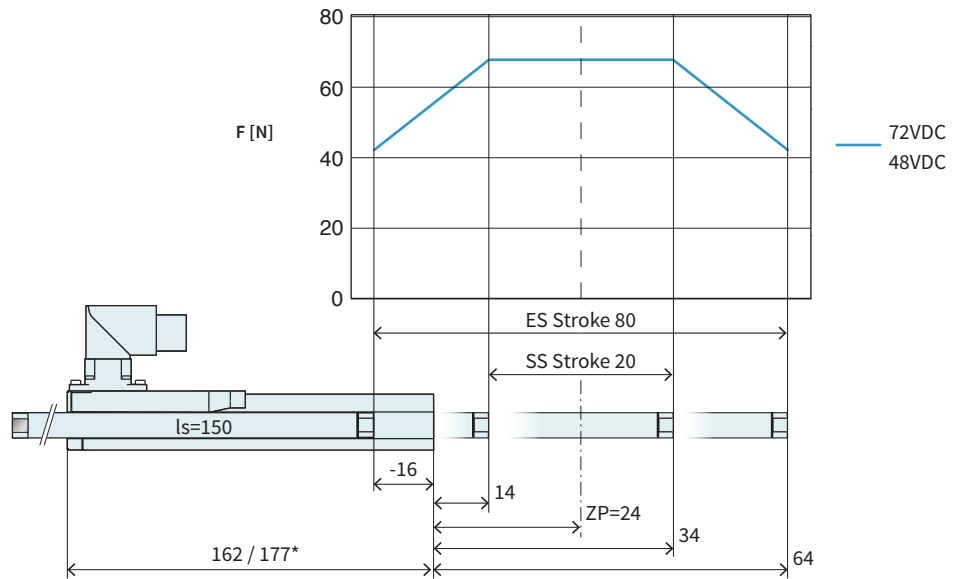
Item	Description	Item-No.
<b>PS01-23x80F-HP-R</b>	Stator HP with IP67 Connector M17/9(m)	<a href="#">0150-1259</a>
<b>PS01-23x80F-HP-R20</b>	Stator HP, 0.2m Cable, IP67 St. M17/9(m)	<a href="#">0150-1260</a>
<b>PL01-12x130/90-HP</b>	Slider 'High Performance'	<a href="#">0150-2209</a>
<b>PL02-12x130/90-HP</b>	Slider 'heavy duty' 'High Performance'	<a href="#">0150-2983</a>
<b>PL01-12x130/90-HP-L*</b>	Slider 'High Performance L'	<a href="#">0150-3687</a>

\* With this slider, the motor specifications above change.

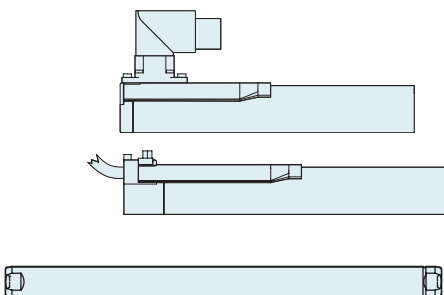
**P01-23x80F/20x80-HP**

**Max. Stroke:** 80 mm  
**Peak Force:** 67 N

Dimensions in mm  
 \*Cable Type



Technical Data P01-23x80F/20x80-HP			
<b>Stroke</b>			
Standard Stroke (SS)	mm (in)	20 (0.78)	
Extended Stroke (ES)	mm (in)	80 (3.14)	
<b>Force</b>			
Max. Force @ 48VDC	N (lbf)	67.1 (15.1)	
Max. Force @ 72VDC	N (lbf)	67.1 (15.1)	
Max. Cont. Force [Passive cooling / Fan / Fluid]	N (lbf)	14 / 23 / - (3.2 / 5.3 / -)	
Max. Border Force relative	%	63	
Force Constant	N/A <sub>pk</sub> (lbf/A <sub>pk</sub> )	8.95 (2.01)	
<b>Velocity</b>			
Max. Velocity @ 48VDC	m/s (in/s)	4.9 (189.9)	
Max. Velocity @ 72VDC	m/s (in/s)	7.3 (289.9)	
<b>Position Detection</b>			
Repeatability	mm (in)	±0.05 (±0.002)	
Linearity	%	± 0.4	
<b>Electrical Data</b>			
Max. Current @ 48VDC	A <sub>pk</sub>	7.4	
Max. Current @ 72VDC	A <sub>pk</sub>	7.4	
Max. Cont. Current [Passive cooling / Fan / Fluid]	A <sub>pk</sub>	1.6 / 2.6 / -	
<b>Thermal Data</b>			
Max. Winding Temperature (Sensor)	°C	120	
Thermal Resistance [Passive cooling / Fan / Fluid]	°K/W	5.4 / 2 / -	
Thermal Time Constant [Passive cooling / Fan / Fluid]	s	650 / 240 / -	
<b>Mechanical Data</b>			
Slider Length	mm (in)	150 (5.9)	
Slider Mass	g (lb)	110 (0.24)	



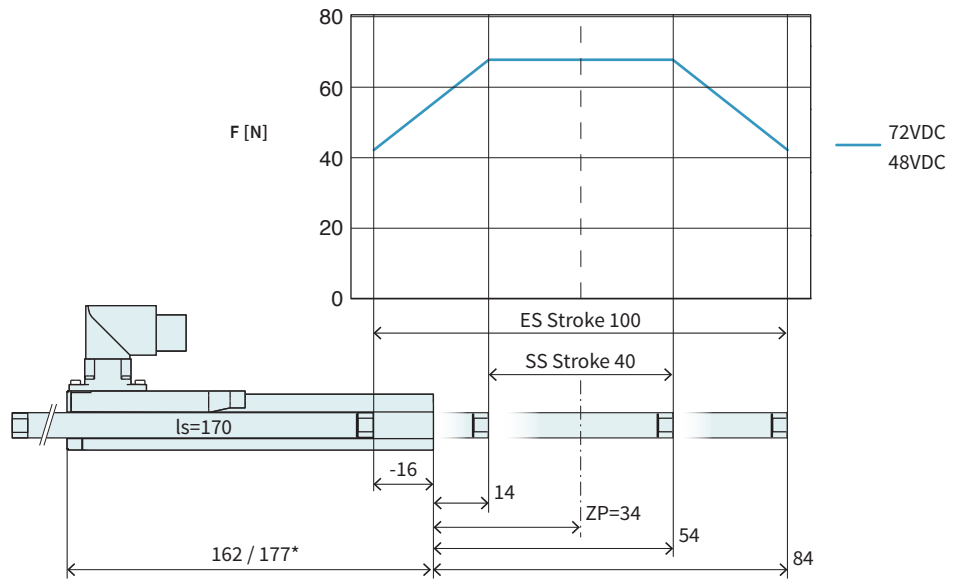
Item	Description	Item-No.
<b>PS01-23x80F-HP-R</b>	Stator HP with IP67 Connector M17/9(m)	<a href="#">0150-1259</a>
<b>PS01-23x80F-HP-R20</b>	Stator HP, 0.2m Cable, IP67 St. M17/9(m)	<a href="#">0150-1260</a>
<b>PL01-12x150/110-HP</b>	Slider 'High Performance'	<a href="#">0150-2281</a>
<b>PL02-12x150/110-HP</b>	Slider 'heavy duty' 'High Performance'	on request
<b>PL01-12x150/110-HP-L*</b>	Slider 'High Performance L'	on request

\* With this slider, the motor specifications above change.



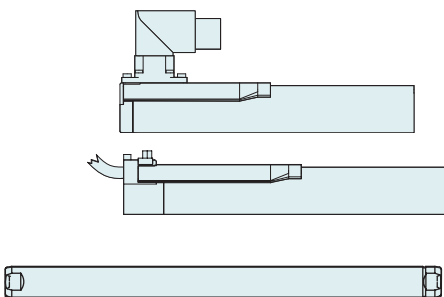
**P01-23x80F/40x100-HP**

**Max. Stroke:** 100 mm  
**Peak Force:** 67 N



Dimensions in mm  
 \*Cable Type

Technical Data P01-23x80F/40x100-HP			
<b>Stroke</b>			
Standard Stroke (SS)	mm (in)		40 (1.57)
Extended Stroke (ES)	mm (in)		100 (3.93)
<b>Force</b>			
Max. Force @ 48VDC	N (lbf)		67.1 (15.1)
Max. Force @ 72VDC	N (lbf)		67.1 (15.1)
Max. Cont. Force [Passive cooling / Fan / Fluid]	N (lbf)		14 / 23 / - (3.2 / 5.3 / -)
Max. Border Force relative	%		63
Force Constant	N/A <sub>pk</sub> (lbf/A <sub>pk</sub> )		8.95 (2.01)
<b>Velocity</b>			
Max. Velocity @ 48VDC	m/s (in/s)		4.9 (189.9)
Max. Velocity @ 72VDC	m/s (in/s)		7.3 (289.9)
<b>Position Detection</b>			
Repeatability	mm (in)		±0.05 (±0.002)
Linearity	%		± 0.35
<b>Electrical Data</b>			
Max. Current @ 48VDC	A <sub>pk</sub>		7.4
Max. Current @ 72VDC	A <sub>pk</sub>		7.4
Max. Cont. Current [Passive cooling / Fan / Fluid]	A <sub>pk</sub>		1.6 / 2.6 / -
<b>Thermal Data</b>			
Max. Winding Temperature (Sensor)	°C		120
Thermal Resistance [Passive cooling / Fan / Fluid]	*K/W		5.4 / 2 / -
Thermal Time Constant [Passive cooling / Fan / Fluid]	s		650 / 240 / -
<b>Mechanical Data</b>			
Slider Length	mm (in)		170 (6.7)
Slider Mass	g (lb)		130 (0.29)

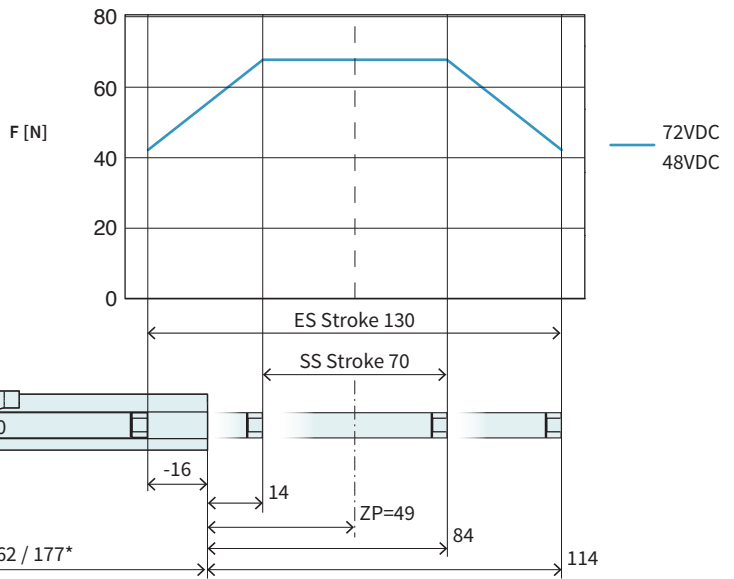


Item	Description	Item-No.
<b>PS01-23x80F-HP-R</b>	Stator HP with IP67 Connector M17/9(m)	<a href="#">0150-1259</a>
<b>PS01-23x80F-HP-R20</b>	Stator HP, 0.2m Cable, IP67 St. M17/9(m)	<a href="#">0150-1260</a>
<b>PL01-12x170/130-HP</b>	Slider 'High Performance'	<a href="#">0150-1529</a>
<b>PL02-12x170/130-HP</b>	Slider 'heavy duty' 'High Performance'	<a href="#">0150-1559</a>
<b>PL01-12x170/130-HP-L*</b>	Slider 'High Performance L'	<a href="#">0150-3688</a>

\* With this slider, the motor specifications above change.

**P01-23x80F/70x130-HP**

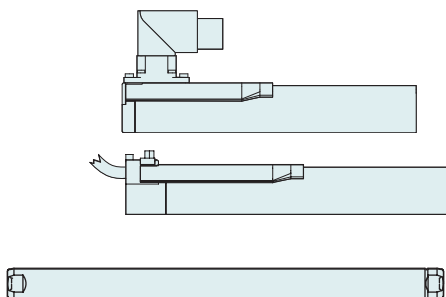
**Max. Stroke:** 130 mm  
**Peak Force:** 67 N



Dimensions in mm  
 \*Cable Type

Technical Data P01-23x80F/70x130-HP

Stroke			
Standard Stroke (SS)	mm (in)	70	(2.75)
Extended Stroke (ES)	mm (in)	130	(5.12)
Force			
Max. Force @ 48VDC	N (lbf)	67.1	(15.1)
Max. Force @ 72VDC	N (lbf)	67.1	(15.1)
Max. Cont. Force [Passive cooling / Fan / Fluid]	N (lbf)	14 / 23 / -	(3.2 / 5.3 / -)
Max. Border Force relative	%	63	
Force Constant	N/A <sub>pk</sub> (lbf/A <sub>pk</sub> )	8.95	(2.01)
Velocity			
Max. Velocity @ 48VDC	m/s (in/s)	4.9	(189.9)
Max. Velocity @ 72VDC	m/s (in/s)	7.3	(289.9)
Position Detection			
Repeatability	mm (in)	±0.05	(±0.002)
Linearity	%	± 0.3	
Electrical Data			
Max. Current @ 48VDC	A <sub>pk</sub>	7.4	
Max. Current @ 72VDC	A <sub>pk</sub>	7.4	
Max. Cont. Current [Passive cooling / Fan / Fluid]	A <sub>pk</sub>	1.6 / 2.6 / -	
Thermal Data			
Max. Winding Temperature (Sensor)	°C	120	
Thermal Resistance [Passive cooling / Fan / Fluid]	°K/W	5.4 / 2 / -	
Thermal Time Constant [Passive cooling / Fan / Fluid]	s	650 / 240 / -	
Mechanical Data			
Slider Length	mm (in)	200	(7.9)
Slider Mass	g (lb)	155	(0.34)

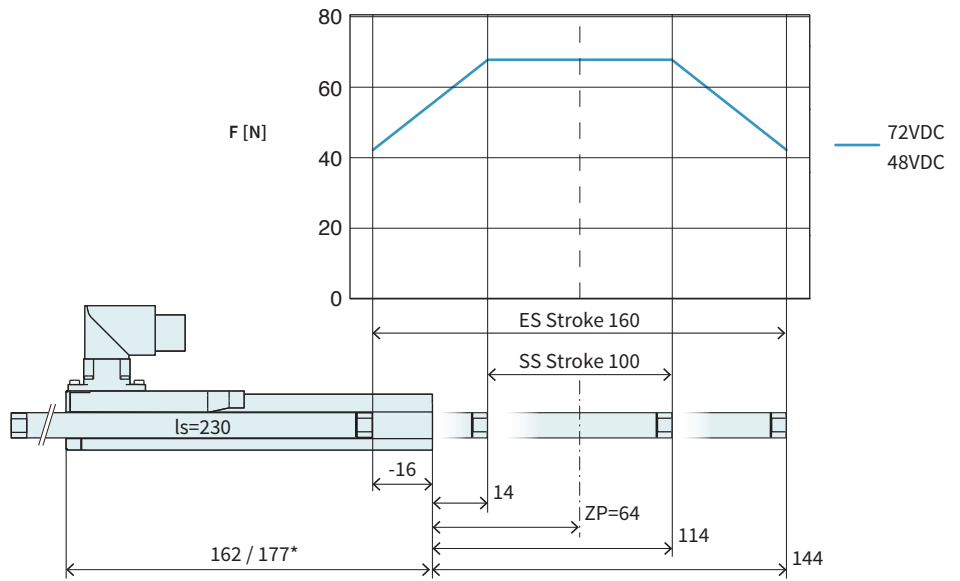


Item	Description	Item-No.
<b>PS01-23x80F-HP-R</b>	Stator HP with IP67 Connector M17/9(m)	<a href="#">0150-1259</a>
<b>PS01-23x80F-HP-R20</b>	Stator HP, 0,2m Cable, IP67 St. M17/9(m)	<a href="#">0150-1260</a>
<b>PL01-12x200/160-HP</b>	Slider 'standard LC'	<a href="#">0150-1518</a>
<b>PL02-12x200/160-HP</b>	Slider 'heavy duty LC'	<a href="#">0150-1532</a>
<b>PL01-12x200/160-HP-L*</b>	Slider 'High Performance L'	<a href="#">0150-3689</a>

\* With this slider, the motor specifications above change.

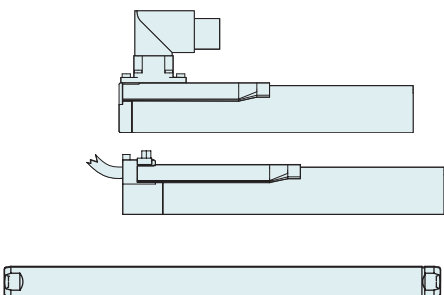
**P01-23x80F/100x160-HP**

**Max. Stroke:** 160 mm  
**Peak Force:** 67 N



Dimensions in mm  
 \*Cable Type

Technical Data P01-23x80F/100x160-HP			
<b>Stroke</b>			
Standard Stroke (SS)	mm (in)		100 (3.93)
Extended Stroke (ES)	mm (in)		160 (6.29)
<b>Force</b>			
Max. Force @ 48VDC	N (lbf)		67.1 (15.1)
Max. Force @ 72VDC	N (lbf)		67.1 (15.1)
Max. Cont. Force [Passive cooling / Fan / Fluid]	N (lbf)		14 / 23 / - (3.2 / 5.3 / -)
Max. Border Force relative	%		63
Force Constant	N/A <sub>pk</sub> (lbf/A <sub>pk</sub> )		8.95 (2.01)
<b>Velocity</b>			
Max. Velocity @ 48VDC	m/s (in/s)		4.9 (189.9)
Max. Velocity @ 72VDC	m/s (in/s)		7.3 (289.9)
<b>Position Detection</b>			
Repeatability	mm (in)		±0.05 (±0.002)
Linearity	%		±0.25
<b>Electrical Data</b>			
Max. Current @ 48VDC	A <sub>pk</sub>		7.4
Max. Current @ 72VDC	A <sub>pk</sub>		7.4
Max. Cont. Current [Passive cooling / Fan / Fluid]	A <sub>pk</sub>		1.6 / 2.6 / -
<b>Thermal Data</b>			
Max. Winding Temperature (Sensor)	°C		120
Thermal Resistance [Passive cooling / Fan / Fluid]	*K/W		5.4 / 2 / -
Thermal Time Constant [Passive cooling / Fan / Fluid]	s		650 / 240 / -
<b>Mechanical Data</b>			
Slider Length	mm (in)		230 (9.1)
Slider Mass	g (lb)		180 (0.4)

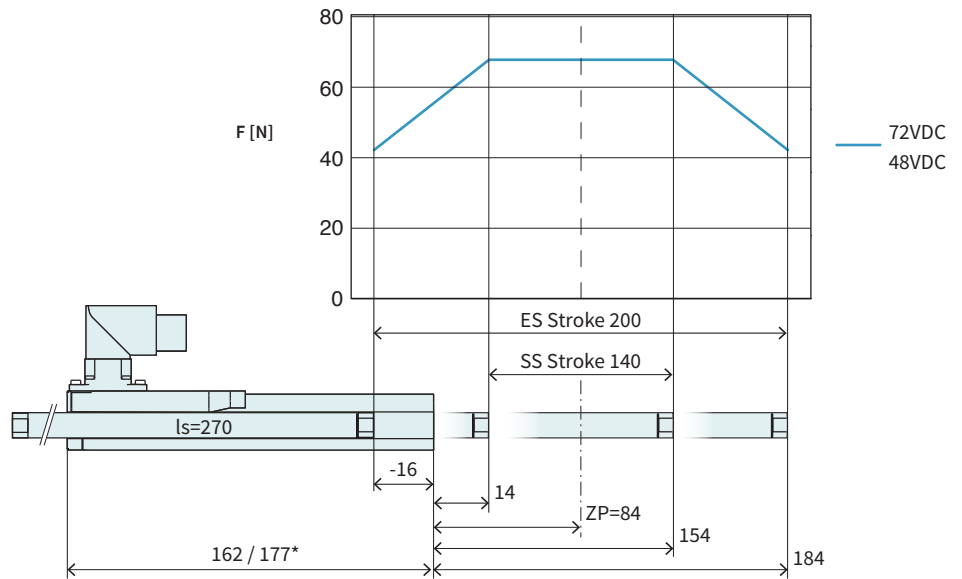


Item	Description	Item-No.
<b>PS01-23x80F-HP-R</b>	Stator HP with IP67 Connector M17/9(m)	<a href="#">0150-1259</a>
<b>PS01-23x80F-HP-R20</b>	Stator HP, 0,2m Cable, IP67 St. M17/9(m)	<a href="#">0150-1260</a>
<b>PL01-12x230/190-HP</b>	Slider 'High Performance'	<a href="#">0150-1519</a>
<b>PL02-12x230/190-HP</b>	Slider 'heavy duty' 'High Performance'	<a href="#">0150-1552</a>
<b>PL01-12x230/190-HP-L*</b>	Slider 'High Performance L'	<a href="#">0150-2546</a>

\* With this slider, the motor specifications above change.

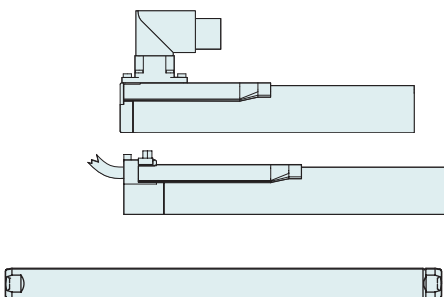
**P01-23x80F/140x200-HP**

**Max. Stroke:** 200 mm  
**Peak Force:** 67 N



Dimensions in mm  
 \*Cable Type

Technical Data P01-23x80F/140x200-HP			
<b>Stroke</b>			
Standard Stroke (SS)	mm (in)		140 (5.5)
Extended Stroke (ES)	mm (in)		200 (7.86)
<b>Force</b>			
Max. Force @ 48VDC	N (lbf)		67.1 (15.1)
Max. Force @ 72VDC	N (lbf)		67.1 (15.1)
Max. Cont. Force [Passive cooling / Fan / Fluid]	N (lbf)		14 / 23 / - (3.2 / 5.3 / -)
Max. Border Force relative	%		63
Force Constant	N/A <sub>pk</sub> (lbf/A <sub>pk</sub> )		8.95 (2.01)
<b>Velocity</b>			
Max. Velocity @ 48VDC	m/s (in/s)		4.9 (189.9)
Max. Velocity @ 72VDC	m/s (in/s)		7.3 (289.9)
<b>Position Detection</b>			
Repeatability	mm (in)		±0.05 (±0.002)
Linearity	%		± 0.2
<b>Electrical Data</b>			
Max. Current @ 48VDC	A <sub>pk</sub>		7.4
Max. Current @ 72VDC	A <sub>pk</sub>		7.4
Max. Cont. Current [Passive cooling / Fan / Fluid]	A <sub>pk</sub>		1.6 / 2.6 / -
<b>Thermal Data</b>			
Max. Winding Temperature (Sensor)	°C		120
Thermal Resistance [Passive cooling / Fan / Fluid]	°K/W		5.4 / 2 / -
Thermal Time Constant [Passive cooling / Fan / Fluid]	s		650 / 240 / -
<b>Mechanical Data</b>			
Slider Length	mm (in)		270 (11)
Slider Mass	g (lb)		215 (0.47)

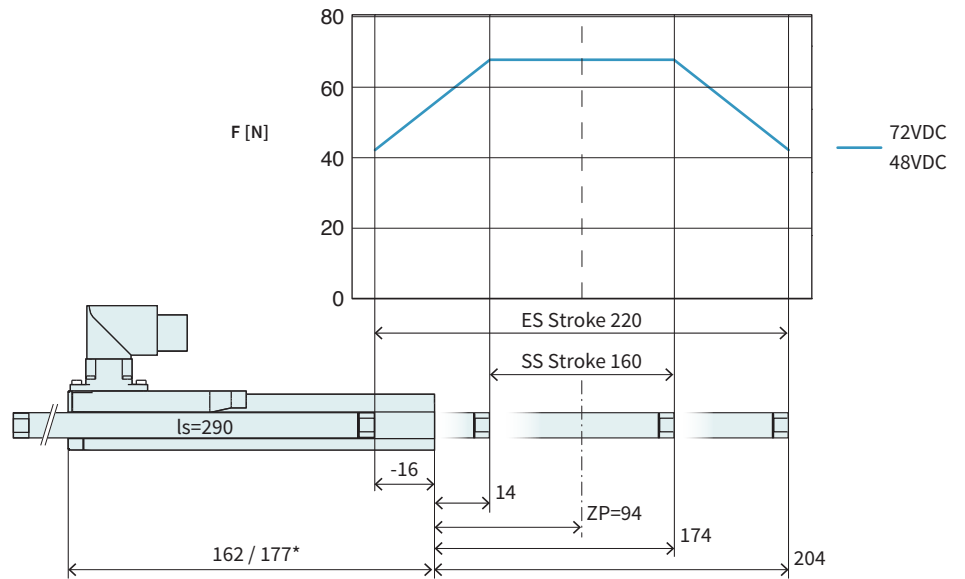


Item	Description	Item-No.
<b>PS01-23x80F-HP-R</b>	Stator HP with IP67 Connector M17/9(m)	<a href="#">0150-1259</a>
<b>PS01-23x80F-HP-R20</b>	Stator HP, 0,2m Cable, IP67 St. M17/9(m)	<a href="#">0150-1260</a>
<b>PL01-12x270/230-HP</b>	Slider 'standard LC'	<a href="#">0150-1520</a>
<b>PL02-12x270/230-HP</b>	Slider 'heavy duty LC'	<a href="#">0150-1533</a>
<b>PL01-12x270/230-HP-L*</b>	Slider 'High Performance L'	<a href="#">0150-2557</a>

\* With this slider, the motor specifications above change.

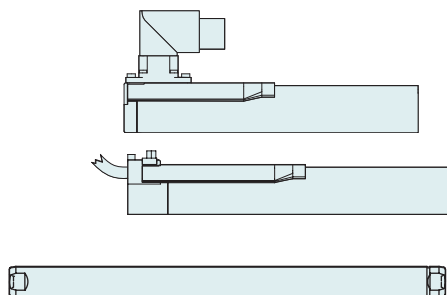
**P01-23x80F/160x220-HP**

**Max. Stroke:** 220 mm  
**Peak Force:** 67 N



Dimensions in mm  
 \*Cable Type

Technical Data P01-23x80F/160x220-HP			
<b>Stroke</b>			
Standard Stroke (SS)	mm (in)	160 (6.29)	
Extended Stroke (ES)	mm (in)	220 (8.65)	
<b>Force</b>			
Max. Force @ 48VDC	N (lbf)	67.1 (15.1)	
Max. Force @ 72VDC	N (lbf)	67.1 (15.1)	
Max. Cont. Force [Passive cooling / Fan / Fluid]	N (lbf)	14 / 23 / -	(3.2 / 5.3 / -)
Max. Border Force relative	%	63	
Force Constant	N/A <sub>pk</sub> (lbf/A <sub>pk</sub> )	8.95 (2.01)	
<b>Velocity</b>			
Max. Velocity @ 48VDC	m/s (in/s)	4.9 (189.9)	
Max. Velocity @ 72VDC	m/s (in/s)	7.3 (289.9)	
<b>Position Detection</b>			
Repeatability	mm (in)	±0.05 (±0.002)	
Linearity	%	± 0.2	
<b>Electrical Data</b>			
Max. Current @ 48VDC	A <sub>pk</sub>	7.4	
Max. Current @ 72VDC	A <sub>pk</sub>	7.4	
Max. Cont. Current [Passive cooling / Fan / Fluid]	A <sub>pk</sub>	1.6 / 2.6 / -	
<b>Thermal Data</b>			
Max. Winding Temperature (Sensor)	°C	120	
Thermal Resistance [Passive cooling / Fan / Fluid]	*K/W	5.4 / 2 / -	
Thermal Time Constant [Passive cooling / Fan / Fluid]	s	650 / 240 / -	
<b>Mechanical Data</b>			
Slider Length	mm (in)	290 (11)	
Slider Mass	g (lb)	230 (0.51)	

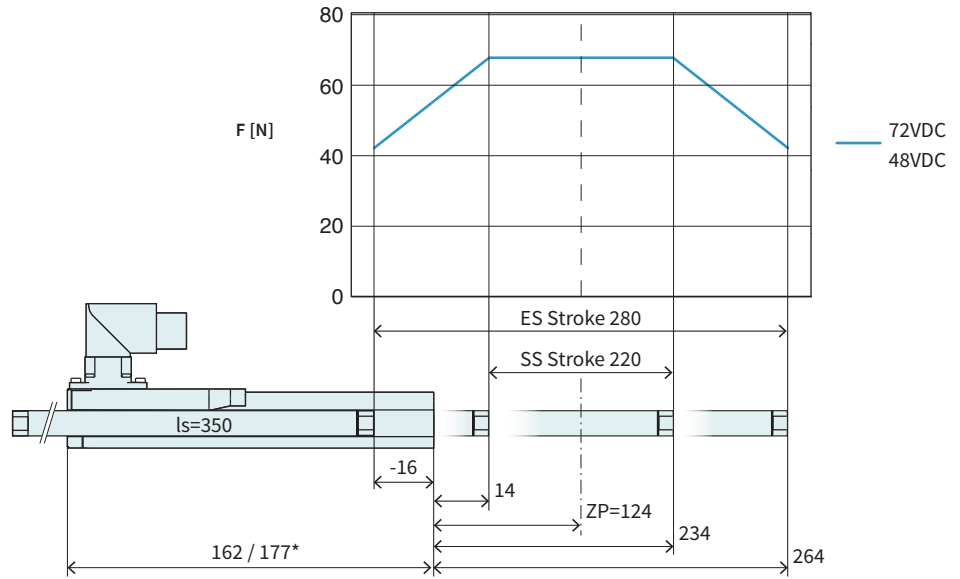


Item	Description	Item-No.
<b>PS01-23x80F-HP-R</b>	Stator HP with IP67 Connector M17/9(m)	<a href="#">0150-1259</a>
<b>PS01-23x80F-HP-R20</b>	Stator HP, 0,2m Cable, IP67 St. M17/9(m)	<a href="#">0150-1260</a>
<b>PL01-12x290/250-HP</b>	Slider 'High Performance'	<a href="#">0150-1521</a>
<b>PL02-12x290/250-HP</b>	Slider 'heavy duty' 'High Performance'	<a href="#">0150-1495</a>
<b>PL01-12x290/250-HP-L*</b>	Slider 'High Performance L'	<a href="#">0150-3690</a>

\* With this slider, the motor specifications above change.

**P01-23x80F/220x280-HP**

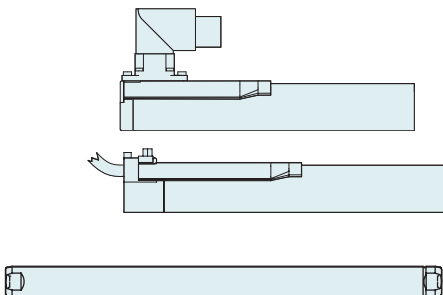
**Max. Stroke:** 280 mm  
**Peak Force:** 67 N



Dimensions in mm  
 \*Cable Type

Technical Data P01-23x80F/220x280-HP

Stroke			
Standard Stroke (SS)	mm (in)	220 (8.65)	
Extended Stroke (ES)	mm (in)	280 (10.99)	
Force			
Max. Force @ 48VDC	N (lbf)	67.1 (15.1)	
Max. Force @ 72VDC	N (lbf)	67.1 (15.1)	
Max. Cont. Force [Passive cooling / Fan / Fluid]	N (lbf)	14 / 23 / - (3.2 / 5.3 / -)	
Max. Border Force relative	%	63	
Force Constant	N/A <sub>pk</sub> (lbf/A <sub>pk</sub> )	8.95 (2.01)	
Velocity			
Max. Velocity @ 48VDC	m/s (in/s)	4.9 (189.9)	
Max. Velocity @ 72VDC	m/s (in/s)	7.3 (289.9)	
Position Detection			
Repeatability	mm (in)	±0.05 (±0.002)	
Linearity	%	±0.2	
Electrical Data			
Max. Current @ 48VDC	A <sub>pk</sub>	7.4	
Max. Current @ 72VDC	A <sub>pk</sub>	7.4	
Max. Cont. Current [Passive cooling / Fan / Fluid]	A <sub>pk</sub>	1.6 / 2.6 / -	
Thermal Data			
Max. Winding Temperature (Sensor)	°C	120	
Thermal Resistance [Passive cooling / Fan / Fluid]	°K/W	5.4 / 2 / -	
Thermal Time Constant [Passive cooling / Fan / Fluid]	s	650 / 240 / -	
Mechanical Data			
Slider Length	mm (in)	350 (14)	
Slider Mass	g (lb)	280 (0.62)	

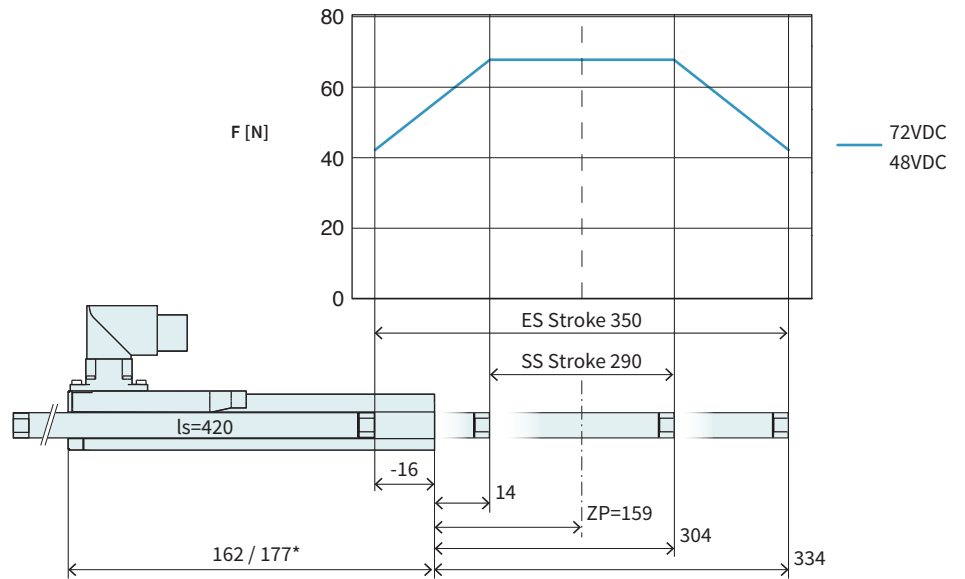


Item	Description	Item-No.
<b>PS01-23x80F-HP-R</b>	Stator HP with IP67 Connector M17/9(m)	<a href="#">0150-1259</a>
<b>PS01-23x80F-HP-R20</b>	Stator HP, 0.2m Cable, IP67 St. M17/9(m)	<a href="#">0150-1260</a>
<b>PL01-12x350/310-HP</b>	Slider 'standard LC'	<a href="#">0150-1522</a>
<b>PL02-12x350/310-HP</b>	Slider 'heavy duty LC'	<a href="#">0150-1555</a>
<b>PL01-12x350/310-HP-L*</b>	Slider 'High Performance L'	<a href="#">0150-3691</a>

\* With this slider, the motor specifications above change.

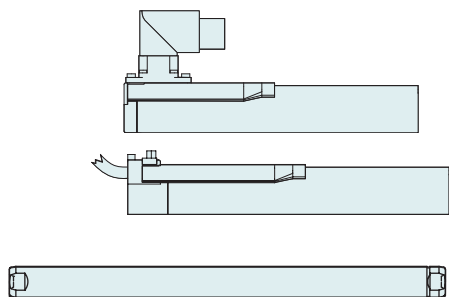
**P01-23x80F/290x350-HP**

**Max. Stroke:** 350 mm  
**Peak Force:** 67 N



Dimensions in mm  
 \*Cable Type

Technical Data P01-23x80F/290x350-HP			
<b>Stroke</b>			
Standard Stroke (SS)	mm (in)		290 (11.4)
Extended Stroke (ES)	mm (in)		350 (13.8)
<b>Force</b>			
Max. Force @ 48VDC	N (lbf)		67.1 (15.1)
Max. Force @ 72VDC	N (lbf)		67.1 (15.1)
Max. Cont. Force [Passive cooling / Fan / Fluid]	N (lbf)		14 / 23 / - (3.2 / 5.3 / -)
Max. Border Force relative	%		63
Force Constant	N/A <sub>pk</sub> (lbf/A <sub>pk</sub> )		8.95 (2.01)
<b>Velocity</b>			
Max. Velocity @ 48VDC	m/s (in/s)		4.9 (189.9)
Max. Velocity @ 72VDC	m/s (in/s)		7.3 (289.9)
<b>Position Detection</b>			
Repeatability	mm (in)		±0.05 (±0.002)
Linearity	%		± 0.15
<b>Electrical Data</b>			
Max. Current @ 48VDC	A <sub>pk</sub>		7.4
Max. Current @ 72VDC	A <sub>pk</sub>		7.4
Max. Cont. Current [Passive cooling / Fan / Fluid]	A <sub>pk</sub>		1.6 / 2.6 / -
<b>Thermal Data</b>			
Max. Winding Temperature (Sensor)	°C		120
Thermal Resistance [Passive cooling / Fan / Fluid]	*K/W		5.4 / 2 / -
Thermal Time Constant [Passive cooling / Fan / Fluid]	s		650 / 240 / -
<b>Mechanical Data</b>			
Slider Length	mm (in)		420 (17)
Slider Mass	g (lb)		340 (0.75)



Item	Description	Item-No.
<b>PS01-23x80F-HP-R</b>	Stator HP with IP67 Connector M17/9(m)	<a href="#">0150-1259</a>
<b>PS01-23x80F-HP-R20</b>	Stator HP, 0.2m Cable, IP67 St. M17/9(m)	<a href="#">0150-1260</a>
<b>PL01-12x420/380-HP</b>	Slider 'High Performance'	<a href="#">0150-1523</a>
<b>PL02-12x420/380-HP</b>	Slider 'heavy duty' 'High Performance'	<a href="#">0150-1554</a>
<b>PL01-12x420/380-HP-L*</b>	Slider 'High Performance L'	<a href="#">0150-3692</a>

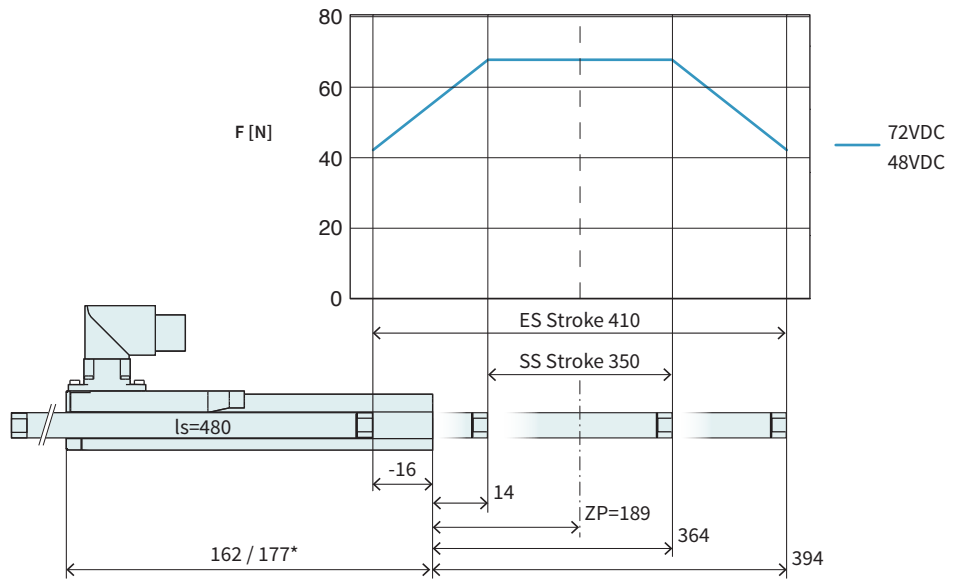
\* With this slider, the motor specifications above change.

**P01-23x80F/350x410-HP**

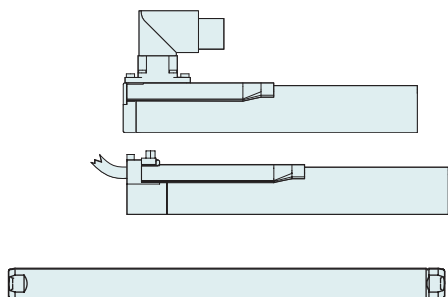
3

**Max. Stroke:** 410 mm  
**Peak Force:** 67 N

Dimensions in mm  
 \*Cable Type



Technical Data P01-23x80F/350x410-HP			
<b>Stroke</b>			
Standard Stroke (SS)	mm (in)		350 (13.8)
Extended Stroke (ES)	mm (in)		410 (16.1)
<b>Force</b>			
Max. Force @ 48VDC	N (lbf)		67.1 (15.1)
Max. Force @ 72VDC	N (lbf)		67.1 (15.1)
Max. Cont. Force [Passive cooling / Fan / Fluid]	N (lbf)		14 / 23 / - (3.2 / 5.3 / -)
Max. Border Force relative	%		63
Force Constant	N/A <sub>pk</sub> (lbf/A <sub>pk</sub> )		8.95 (2.01)
<b>Velocity</b>			
Max. Velocity @ 48VDC	m/s (in/s)		4.9 (189.9)
Max. Velocity @ 72VDC	m/s (in/s)		7.3 (289.9)
<b>Position Detection</b>			
Repeatability	mm (in)		±0.05 (±0.002)
Linearity	%		± 0.15
<b>Electrical Data</b>			
Max. Current @ 48VDC	A <sub>pk</sub>		7.4
Max. Current @ 72VDC	A <sub>pk</sub>		7.4
Max. Cont. Current [Passive cooling / Fan / Fluid]	A <sub>pk</sub>		1.6 / 2.6 / -
<b>Thermal Data</b>			
Max. Winding Temperature (Sensor)	°C		120
Thermal Resistance [Passive cooling / Fan / Fluid]	°K/W		5.4 / 2 / -
Thermal Time Constant [Passive cooling / Fan / Fluid]	s		650 / 240 / -
<b>Mechanical Data</b>			
Slider Length	mm (in)		480 (19)
Slider Mass	g (lb)		390 (0.86)



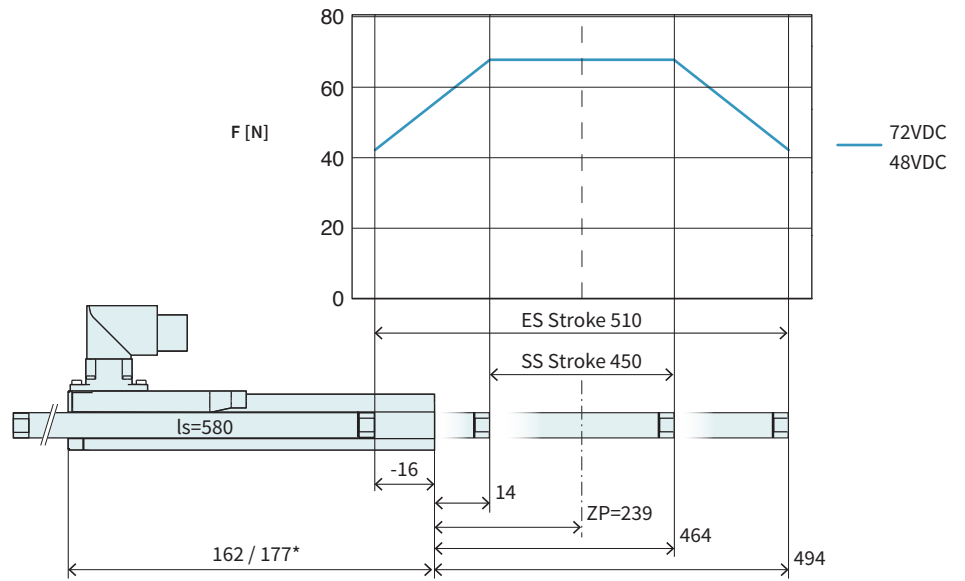
Item	Description	Item-No.
<b>PS01-23x80F-HP-R</b>	Stator HP with IP67 Connector M17/9(m)	<a href="#">0150-1259</a>
<b>PS01-23x80F-HP-R20</b>	Stator HP, 0.2m Cable, IP67 St. M17/9(m)	<a href="#">0150-1260</a>
<b>PL01-12x480/440-HP</b>	Slider 'standard LC'	<a href="#">0150-1524</a>
<b>PL02-12x480/440-HP</b>	Slider 'heavy duty LC'	<a href="#">0150-2519</a>
<b>PL01-12x480/440-HP-L*</b>	Slider 'High Performance L'	<a href="#">0150-3693</a>

\* With this slider, the motor specifications above change.



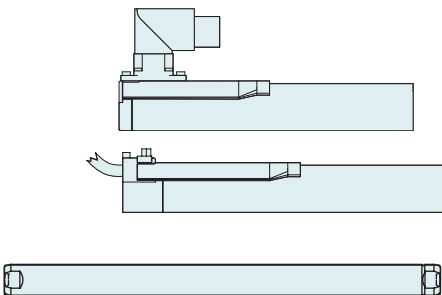
**P01-23x80F/450x510-HP**

**Max. Stroke:** 510 mm  
**Peak Force:** 67 N



Dimensions in mm  
 \*Cable Type

Technical Data P01-23x80F/450x510-HP			
<b>Stroke</b>			
Standard Stroke (SS)	mm (in)		450 (17.69)
Extended Stroke (ES)	mm (in)		510 (20.1)
<b>Force</b>			
Max. Force @ 48VDC	N (lbf)		67.1 (15.1)
Max. Force @ 72VDC	N (lbf)		67.1 (15.1)
Max. Cont. Force [Passive cooling / Fan / Fluid]	N (lbf)		14 / 23 / - (3.2 / 5.3 / -)
Max. Border Force relative	%		63
Force Constant	N/A <sub>pk</sub> (lbf/A <sub>pk</sub> )		8.95 (2.01)
<b>Velocity</b>			
Max. Velocity @ 48VDC	m/s (in/s)		4.9 (189.9)
Max. Velocity @ 72VDC	m/s (in/s)		7.3 (289.9)
<b>Position Detection</b>			
Repeatability	mm (in)		±0.05 (±0.002)
Linearity	%		±0.15
<b>Electrical Data</b>			
Max. Current @ 48VDC	A <sub>pk</sub>		7.4
Max. Current @ 72VDC	A <sub>pk</sub>		7.4
Max. Cont. Current [Passive cooling / Fan / Fluid]	A <sub>pk</sub>		1.6 / 2.6 / -
<b>Thermal Data</b>			
Max. Winding Temperature (Sensor)	°C		120
Thermal Resistance [Passive cooling / Fan / Fluid]	°K/W		5.4 / 2 / -
Thermal Time Constant [Passive cooling / Fan / Fluid]	s		650 / 240 / -
<b>Mechanical Data</b>			
Slider Length	mm (in)		580 (23)
Slider Mass	g (lb)		480 (1.06)



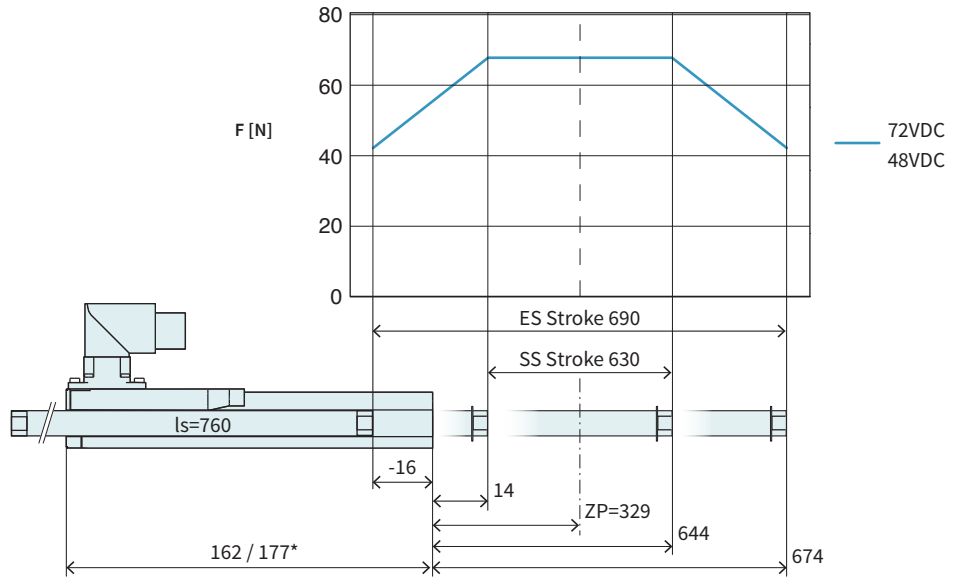
Item	Description	Item-No.
<b>PS01-23x80F-HP-R</b>	Stator HP with IP67 Connector M17/9(m)	<a href="#">0150-1259</a>
<b>PS01-23x80F-HP-R20</b>	Stator HP, 0.2m Cable, IP67 St. M17/9(m)	<a href="#">0150-1260</a>
<b>PL01-12x580/540-HP</b>	Slider 'High Performance'	<a href="#">0150-1525</a>
<b>PL02-12x580/540-HP</b>	Slider 'heavy duty' 'High Performance'	<a href="#">0150-2520</a>
<b>PL01-12x580/540-HP-L*</b>	Slider 'High Performance L'	<a href="#">0150-3694</a>

\* With this slider, the motor specifications above change.

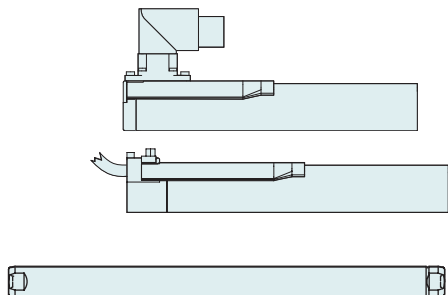
**P01-23x80F/630x690-HP**

**Max. Stroke:** 690 mm  
**Peak Force:** 67 N

Dimensions in mm  
 \*Cable Type



Technical Data P01-23x80F/630x690-HP			
<b>Stroke</b>			
Standard Stroke (SS)	mm (in)		630 (24.8)
Extended Stroke (ES)	mm (in)		690 (27.19)
<b>Force</b>			
Max. Force @ 48VDC	N (lbf)		67.1 (15.1)
Max. Force @ 72VDC	N (lbf)		67.1 (15.1)
Max. Cont. Force [Passive cooling / Fan / Fluid]	N (lbf)		14 / 23 / - (3.2 / 5.3 / -)
Max. Border Force relative	%		63
Force Constant	N/A <sub>pk</sub> (lbf/A <sub>pk</sub> )		8.95 (2.01)
<b>Velocity</b>			
Max. Velocity @ 48VDC	m/s (in/s)		4.9 (189.9)
Max. Velocity @ 72VDC	m/s (in/s)		7.3 (289.9)
<b>Position Detection</b>			
Repeatability	mm (in)		±0.05 (±0.002)
Linearity	%		± 0.15
<b>Electrical Data</b>			
Max. Current @ 48VDC	A <sub>pk</sub>		7.4
Max. Current @ 72VDC	A <sub>pk</sub>		7.4
Max. Cont. Current [Passive cooling / Fan / Fluid]	A <sub>pk</sub>		1.6 / 2.6 / -
<b>Thermal Data</b>			
Max. Winding Temperature (Sensor)	°C		120
Thermal Resistance [Passive cooling / Fan / Fluid]	°K/W		5.4 / 2 / -
Thermal Time Constant [Passive cooling / Fan / Fluid]	s		650 / 240 / -
<b>Mechanical Data</b>			
Slider Length	mm (in)		760 (30)
Slider Mass	g (lb)		630 (1.4)

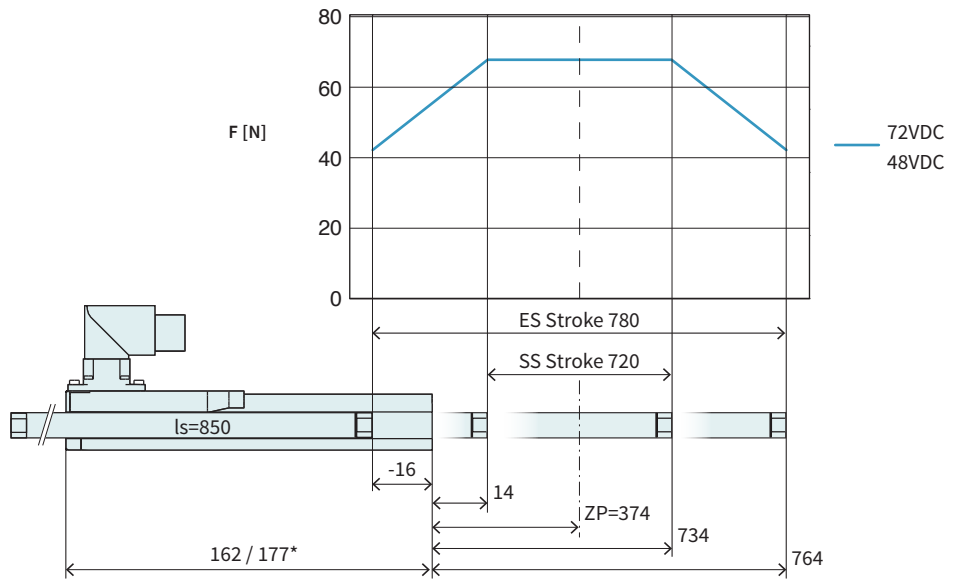


Item	Description	Item-No.
<b>PS01-23x80F-HP-R</b>	Stator HP with IP67 Connector M17/9(m)	<a href="#">0150-1259</a>
<b>PS01-23x80F-HP-R20</b>	Stator HP, 0.2m Cable, IP67 St. M17/9(m)	<a href="#">0150-1260</a>
<b>PL01-12x760/720-HP</b>	Slider 'standard LC'	<a href="#">0150-1526</a>
<b>PL02-12x760/720-HP</b>	Slider 'heavy duty LC'	<a href="#">0150-2521</a>
<b>PL01-12x760/720-HP-L*</b>	Slider 'High Performance L'	<a href="#">0150-3695</a>

\* With this slider, the motor specifications above change.

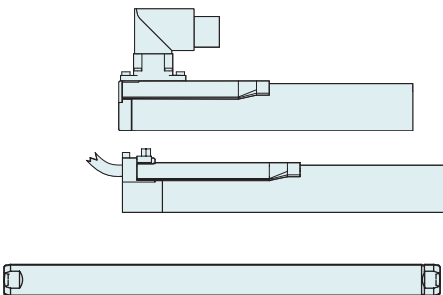
**P01-23x80F/720x780-HP**

**Max. Stroke:** 780 mm  
**Peak Force:** 67 N



Dimensions in mm  
 \*Cable Type

Technical Data P01-23x80F/720x780-HP				
<b>Stroke</b>				
Standard Stroke (SS)	mm (in)		720 (28.3)	
Extended Stroke (ES)	mm (in)		780 (30.69)	
<b>Force</b>				
Max. Force @ 48VDC	N (lbf)		67.1 (15.1)	
Max. Force @ 72VDC	N (lbf)		67.1 (15.1)	
Max. Cont. Force [Passive cooling/ Fan / Fluid]	N (lbf)		14 / 23 / - (3.2 / 5.3 / -)	
Max. Border Force relative	%		63	
Force Constant	N/A <sub>pk</sub> (lbf/A <sub>pk</sub> )		8.95 (2.01)	
<b>Velocity</b>				
Max. Velocity @ 48VDC	m/s (in/s)		4.9 (189.9)	
Max. Velocity @ 72VDC	m/s (in/s)		7.3 (289.9)	
<b>Position Detection</b>				
Repeatability	mm (in)		±0.05 (±0.002)	
Linearity	%		± 0.15	
<b>Electrical Data</b>				
Max. Current @ 48VDC	A <sub>pk</sub>		7.4	
Max. Current @ 72VDC	A <sub>pk</sub>		7.4	
Max. Cont. Current [Passive cooling / Fan / Fluid]	A <sub>pk</sub>		1.6 / 2.6 / -	
<b>Thermal Data</b>				
Max. Winding Temperature (Sensor)	°C		120	
Thermal Resistance [Passive cooling / Fan / Fluid]	°K/W		5.4 / 2 / -	
Thermal Time Constant [Passive cooling / Fan / Fluid]	s		650 / 240 / -	
<b>Mechanical Data</b>				
Slider Length	mm (in)		850 (33)	
Slider Mass	g (lb)		700 (1.5)	



Item	Description	Item-No.
<b>PS01-23x80F-HP-R</b>	Stator HP with IP67 Connector M17/9(m)	<a href="#">0150-1259</a>
<b>PS01-23x80F-HP-R20</b>	Stator HP, 0.2m Cable, IP67 St. M17/9(m)	<a href="#">0150-1260</a>
<b>PL01-12x850/810-HP</b>	Slider 'High Performance'	<a href="#">0150-1527</a>
<b>PL02-12x850/810-HP</b>	Slider 'heavy duty' 'High Performance'	<a href="#">0150-2516</a>
<b>PL01-12x850/810-HP-L*</b>	Slider 'High Performance L'	on request

\* With this slider, the motor specifications above change.

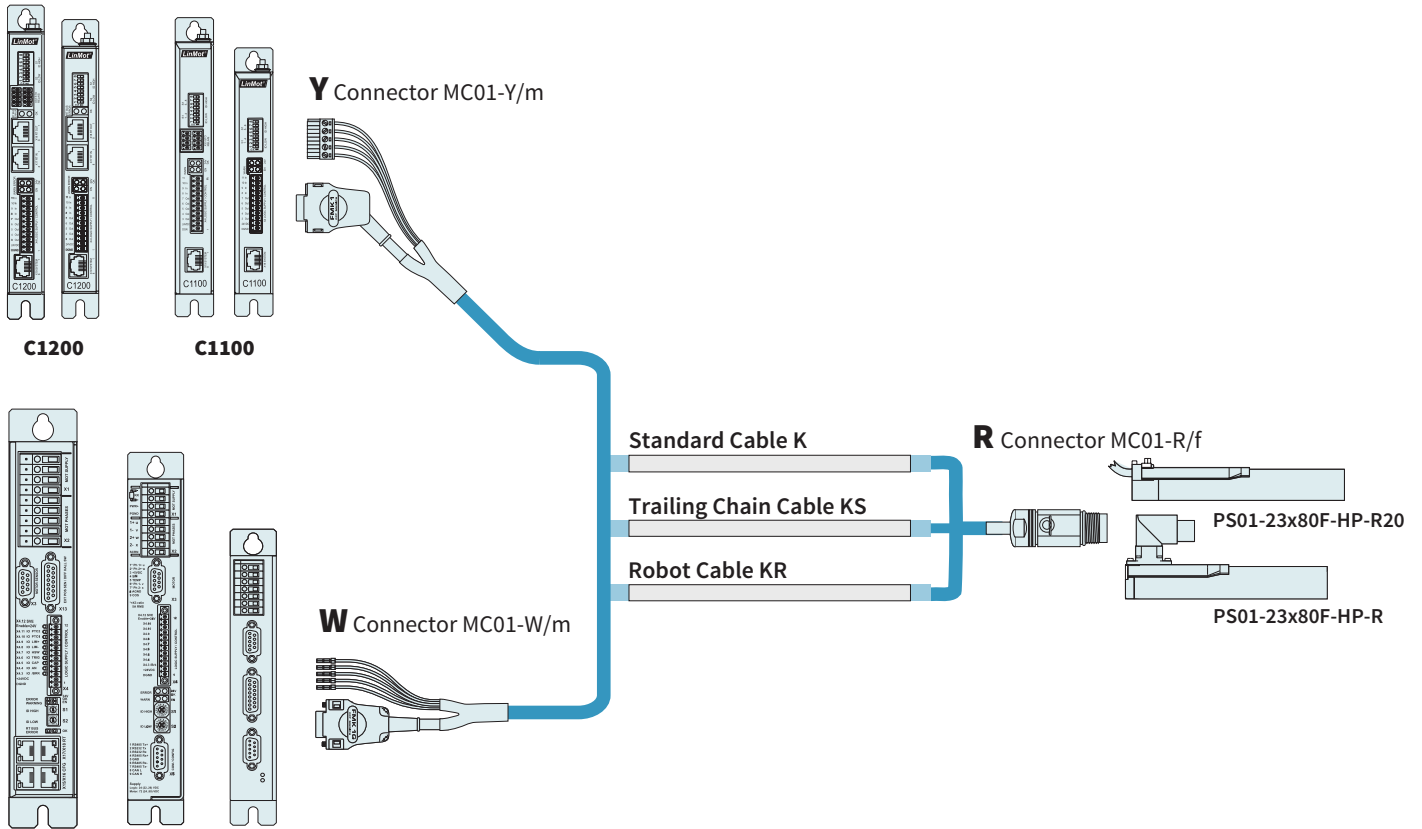
**Linear Guides H01**



HM01-23x80/60		Linear Module 23x80 with 60 mm Stroke		
→	H-Guide	H01-23x86/60	H-Guide for P01-23x80, Stroke max 60mm	<a href="#">0150-5014</a>
		H01-23x86/60-GF	H-Guide for P01-23x80, Stroke max 60mm	<a href="#">0150-5074</a>
→	Stator	PS01-23x80F-HP-R	Stator HP with IP67 Connector M17/9(m)	<a href="#">0150-1259</a>
		PS01-23x80F-HP-R20	Stator HP, 0.2m Cable, IP67 St. M17/9(m)	<a href="#">0150-1260</a>
→	Slider	PL01-12x200/160-HP	Slider 'High Performance'	<a href="#">0150-1518</a>
HM01-23x80/160		Linear Module 23x80 with 160 mm Stroke		
→	H-Guide	H01-23x86/160	H-Guide for P01-23x80, Stroke max 160mm	<a href="#">0150-5015</a>
		H01-23x86/160-GF	H-Guide for P01-23x80, Stroke max 160mm	<a href="#">0150-5075</a>
→	Stator	PS01-23x80F-HP-R	Stator HP with IP67 Connector M17/9(m)	<a href="#">0150-1259</a>
		PS01-23x80F-HP-R20	Stator HP, 0.2m Cable, IP67 St. M17/9(m)	<a href="#">0150-1260</a>
→	Slider	PL01-12x290/250-HP	Slider 'standard LC'	<a href="#">0150-1521</a>
HM01-23x80/260		Linear Module 23x80 with 260 mm Stroke		
→	H-Guide	H01-23x86/260	H-Guide for P01-23x80, Stroke max 260mm	<a href="#">0150-5016</a>
		H01-23x86/260-GF	H-Guide for P01-23x80, Stroke max 260mm	<a href="#">0150-5076</a>
→	Stator	PS01-23x80F-HP-R	Stator HP with IP67 Connector M17/9(m)	<a href="#">0150-1259</a>
		PS01-23x80F-HP-R20	Stator HP, 0.2m Cable, IP67 St. M17/9(m)	<a href="#">0150-1260</a>
→	Slider	PL01-12x420/380-HP	Slider 'High Performance'	<a href="#">0150-1523</a>
Accessories				
→	Fan	HV01-23	Fan cooling for H01-23	<a href="#">0150-5050</a>
→	MagSpring	MF01-20/H23	Flange MagSpring 20 / H-Guide 23	<a href="#">0250-2306</a>
		MA01-20/H23	Flange MagSpring 20 / H-Guide 23	<a href="#">0250-0116</a>
→	Centering sleeve	HC01-09/04	Centering sleeve D9x4 mm	<a href="#">0150-3251</a>

FIND MORE PRODUCT DETAILS IN THE CHAPTER "LINEAR GUIDES".

**Motor Cable**



**ORDERING INFORMATION**

STANDARD CABLE		
Item	Description	Item-No.
<b>K05-W/R-2</b>	Motor Cable W/R, 2 m	<a href="#">0150-2119</a>
<b>K05-W/R-4</b>	Motor Cable W/R, 4 m	<a href="#">0150-2120</a>
<b>K05-W/R-6</b>	Motor Cable W/R, 6 m	<a href="#">0150-2121</a>
<b>K05-W/R-8</b>	Motor Cable W/R, 8 m	<a href="#">0150-2122</a>
<b>K05-W/R-</b>	Motor Cable W/R, Custom length	<a href="#">0150-3262</a>
<b>K05-Y/R-2</b>	Motor Cable Y/R, 2 m	<a href="#">0150-2421</a>
<b>K05-Y/R-4</b>	Motor Cable Y/R, 4 m	<a href="#">0150-2422</a>
<b>K05-Y/R-6</b>	Motor Cable Y/R, 6 m	<a href="#">0150-2423</a>
<b>K05-Y/R-8</b>	Motor Cable Y/R, 8 m	<a href="#">0150-2424</a>
<b>K05-Y-Fe/R-</b>	Motor Cable Y/R, Custom length	<a href="#">0150-3501</a>

3

TRAILING CHAIN CABLE

Item	Description	Item-No.
<b>KS05-W/R-4</b>	Trailing Chain Cable W/R, 4 m	<a href="#">0150-2106</a>
<b>KS05-W/R-6</b>	Trailing Chain Cable W/R, 6 m	<a href="#">0150-2131</a>
<b>KS05-W/R-8</b>	Trailing Chain Cable W/R, 8 m	<a href="#">0150-2107</a>
<b>KS05-W/R-</b>	Trailing Chain Cable W/R, Custom length	<a href="#">0150-3256</a>
<b>KS05-Y/R-4</b>	Trailing Chain Cable Y/R, 4 m	<a href="#">0150-2433</a>
<b>KS05-Y/R-6</b>	Trailing Chain Cable Y/R, 6 m	<a href="#">0150-2434</a>
<b>KS05-Y/R-8</b>	Trailing Chain Cable Y/R, 8 m	<a href="#">0150-2435</a>
<b>KS05-Y/R-</b>	Trailing Chain Cable Y/R, Custom length	<a href="#">0150-3507</a>

ROBOT CABLE

Item	Description	Item-No.
<b>KR05-W/R-</b>	Robot Cable KR05-W/R, Custom length	<a href="#">0150-3336</a>
<b>KR05-Y-Fe/R-</b>	Robot Cable KR05-Y-Fe/R, Custom length	<a href="#">0150-3512</a>

CONNECTOR & CABLE (INDIVIDUAL)

Item	Description	Item-No.
<b>MC01-W/m</b>	Motor Connector W/m	<a href="#">0150-3140</a>
<b>MC01-Y-Fe/m</b>	Motor Connector Y-Fe/m	<a href="#">0150-3289</a>
<b>MC01-R/f</b>	Motor Connector R/f	<a href="#">0150-3129</a>
<b>K05-04/05</b>	Motor Cable per m	<a href="#">0150-1920</a>
<b>KS05-04/05</b>	Trailing Chain Cable per m	<a href="#">0150-1938</a>
<b>KR05-04/05</b>	Robot Cable per m	<a href="#">0150-1846</a>

**MOTOR FLANGES**



Item	Description	Item-No.
PF02-23x50	Flange 23x50 mm	<a href="#">0150-2102</a>
PF02-23x90	Flange 23x90 mm	<a href="#">0150-2146</a>

FIND MORE PRODUCT DETAILS IN THE CHAPTER "ACCESSORIES".

**FANS**



Item	Description	Item-No.
HV01-23	Fan cooling for H01-23 and PF02-23	<a href="#">0150-5050</a>

FIND MORE PRODUCT DETAILS IN THE CHAPTER "ACCESSORIES".

**SLIDER MOUNTING**



Item	Description	Item-No.
PLF01-12	Fixed End Washer Set for 12 mm sliders	<a href="#">0150-3085</a>
PLF01-12-Ni	Fixed End Washer Set for 12 mm sliders nickel-plated	<a href="#">0150-3573</a>
PLL02-12	Floating support for PL01-12 Sliders	<a href="#">0150-3111</a>

FIND MORE PRODUCT DETAILS IN THE CHAPTER "ACCESSORIES".

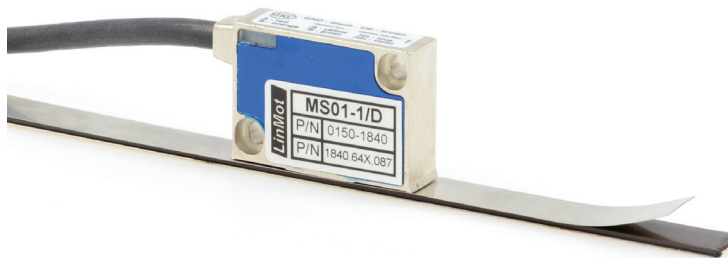
**WIPERS**



Item	Description	Item-No.
<b>PA01-23/12-F</b>	Seal front side for PS01-23x...	<a href="#">0150-3125</a>

FIND MORE PRODUCT DETAILS IN THE CHAPTER "ACCESSORIES".

**EXTERNAL POSITION SENSORS**



Item	Description	Item-No.
<b>MS01-1/D</b>	Linear Encoder 1 µm, A/B (for incremental strip)	<a href="#">0150-1840</a>
<b>MB01-1000</b>	Magnetic incremental strip for MS01-1/D, per cm	<a href="#">0150-1963</a>
<b>KS025-D/D-Encoder</b>	Encoder Cable (Length in m)	<a href="#">0150-3166</a>
<b>KS025-D/D15-Encoder</b>	Encoder Cable (Length in m)	<a href="#">0150-3168</a>

FIND MORE PRODUCT DETAILS IN THE CHAPTER "ACCESSORIES".



Item	Description	Item-No.
<b>MS01-1/D-SSI</b>	Linear Encoder 1 µm, A/B (for absolute strip)	<a href="#">0150-2095</a>
<b>MB01-1000-ABS</b>	Magnetic absolute strip for MS01-1/D-SSI (per cm)	<a href="#">0150-2096</a>
<b>EC01-ABS/ENC-12-S</b>	MS01-1/D-SSI Encoder connector straight	<a href="#">0150-3616</a>
<b>KSS01-12-D15/ABS-ENC</b>	Special cable for MS01-1/D-SSI on C1100/C1200/C1400/E1200/E1400 Drives	<a href="#">0150-3652</a>

FIND MORE PRODUCT DETAILS IN THE CHAPTER "ACCESSORIES".