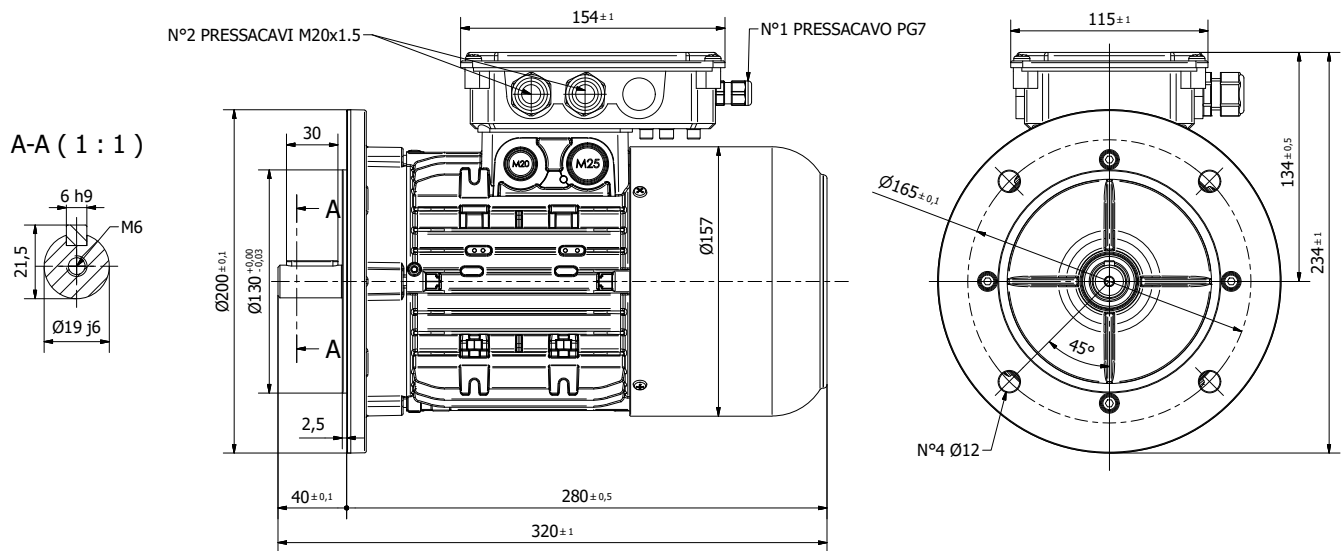




Motor code: AF-802-4-B5 4

Mounting	IM	B5
	IM	IM 3001



Dimensions not binding

Electrical data				General data			
Rated Power	0.75		kW	Frame Size	80		
RPM	1420		min ⁻¹ 50Hz	Mounting	B5		
			min ⁻¹ 60Hz	Weight	12.2	Kg	
Frequency	50		Hz	Casing Material	ALLUMINIO		
Poles	4			Protection	IP	54	
Power Supply(+/-10%)	230		VD/50Hz	Insulation class/Temperature rise	F	/	B
	400		VY/50Hz	Tropicalization	On request		
			VD/60Hz	Vibration Class	N		
			VY/60Hz	Duty	S1		
Rated Torque	5.19		Nm	Direction of rotation	Bidirectional		
Rated Current	3.3	VD-50Hz	A (In)	Cooling System	IC	411	
	1.91	VY-50Hz	A (In)	Cable Entry	2- M20x1,5 + 1 - PG7		
Starting Current	4.3		x In (A)	Standards	IEC/DIN/ISO/VDE/EN		
Starting Torque	2.3		x Cn (Nm)	Execute at Standard	IEC 60034-1		
Torque MAX.	2.5		x Cn (Nm)	Feet Removable	-		
Classe di efficienza	IE1			Paintwork	Standard: Aluminum		
Efficiency Class	50Hz	60Hz		Thermal Protection	On request		
	73		100% Efficiency	Year of construction	Reference on the motor plate		
	-	-	75% Efficiency	Site conditions			
	-	-	50% Efficiency	Ambient Temperature	from -20°C to +40°C		
Power Factor cosφ	0.74		100% Efficiency	Altitude above sea level	1000 m		

Mechanical data				
Noise Level	LpA	69	dB(A)	
Moment of inertia	0.002511		Kgm ²	
Brake Torque	10		Nm	
Supply Forced Ventilation	-		V	
Rated Power Fan	-		W	
Rated Current Fan	-		A	
			Bearing DE Side	6204-ZZ
			Bearing NDE Side	6204-DDU
			Average Bearing Lifetime	40000 h
			Relubrication Range L1 DE Bearing	VITA h
			Relubrication Range L1 NDE Bearing	VITA h