

**ACCESSORIES AVAILABLE
ACCESORIOS DISPONIBLES
ACCESSOIRES DISPONIBLES**

MAINTENANCE:

MANTENIMIENTO:

ENTRETIEN:

BC601	4 oz. Bostitch Air -Tool Lubricant
BC602	1 pint Bostitch Air -Tool Lubricant
BC603	1 pint Bostitch "Winter-Formula" Air-Tool Lubricant
BC604	1 quart Bostitch Air -Tool Lubricant
851385	Loctite Grade 242 (.02 oz.)
174322	Wrench

FOR DEEPER DRIVE:

PARA UNA COLOCACIÓN MÁS PROFUNDA:

POUR UNE PROFONDEUR DE FIXATION ACCRUE:

174323	Cap, Heavy
--------	------------

OTHER SPECIAL ACCESSORIES:

OTROS ACCESORIOS ESPECIALES:

AUTRES ACCESSOIRES SPECIAUX:

174267	Assembly, Skirt Gauge
174300	Spring, Compression, Conical
174299	Trigger, Second
177685	Pin, Spring, 4x32MM

BOSTITCH®

21680B-LN, 21680B-LN-E

INDUSTRIAL FINE WIRE STAPLER GRAPADORA INDUSTRIAL DE ALAMBRE FINO AGRAFEUSE INDUSTRIELLE À AGRAFES FINES



**TOOL PARTS ILLUSTRATION
ILUSTRACIÓN DE LAS PIEZAS DE LA HERRAMIENTA
ILLUSTRATION DES PIÈCES D'OUTILLAGE**

⚠ WARNING:

⚠ ADVERTENCIA:

⚠ ATTENTION:

BEFORE PERFORMING REPAIRS ON THIS TOOL, ALL OPERATORS SHOULD STUDY THIS ILLUSTRATION, AS WELL AS THE PARTS LIST AND OPERATION AND MAINTENANCE MANUAL. OPERATORS SHOULD UNDERSTAND AND FOLLOW ALL SAFETY WARNINGS AND INSTRUCTIONS. KEEP THIS ILLUSTRATION WITH THE TOOL FOR FUTURE REFERENCE. IF YOU HAVE ANY QUESTIONS, CONTACT YOUR STANLEY-BOSTITCH REPRESENTATIVE OR DISTRIBUTOR.

ANTES DE LLEVAR A CABO CUALQUIER REPARACIÓN EN LA HERRAMIENTA, TODOS LOS OPERARIOS DEBERÁN ESTUDIAR ESTA ILUSTRACIÓN, ASÍ COMO LA LISTA DE PIEZAS Y EL MANUAL DE OPERACIÓN Y MANTENIMIENTO. LOS OPERARIOS DEBERÁN ENTENDER Y SEGUIR TODAS LAS ADVERTENCIAS E INSTRUCCIONES DE SEGURIDAD. CONSERVE ESTA ILUSTRACIÓN CON LA HERRAMIENTA PARA PODER CONSULTARLA EN LO FUTURO. SI TUVIERA ALGUNA PREGUNTA, PONGASE EN CONTACTO CON SU REPRESENTANTE O DISTRIBUIDOR DE STANLEY-BOSTITCH.

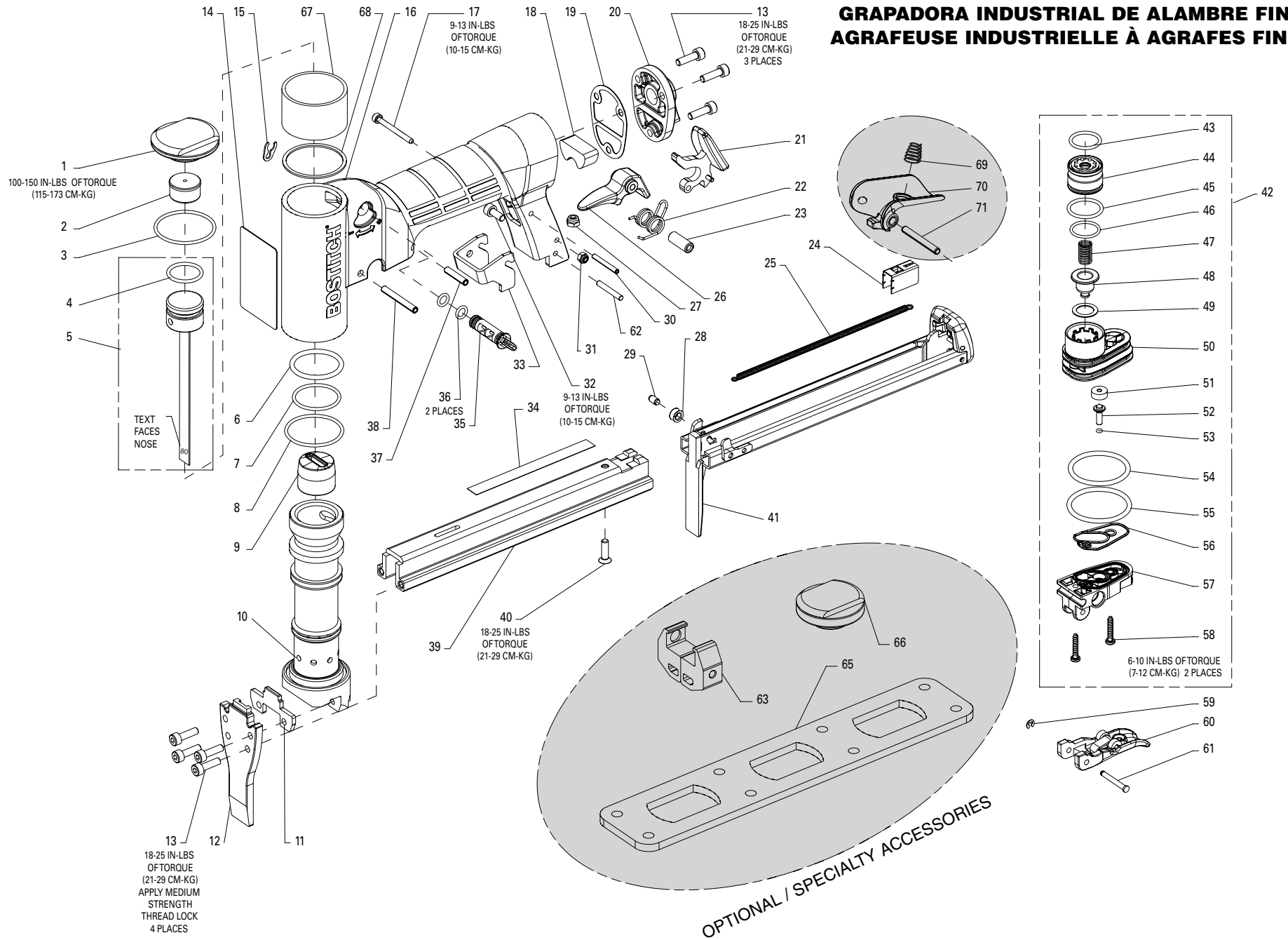
AVANT DE PROCÉDER À LA RÉPARATION DE CET OUTIL, LES OPÉRATEURS DOIVENT ÉTUDIER LA PRÉSENTE ILLUSTRATION AINSI QUE LA LISTE DE PIÈCES ET LE MANUEL D'INSTRUCTIONS ET D'ENTRETIEN ; ILS DOIVENT ÉGALEMENT COMPRENDRE ET OBSERVER LES CONSIGNES DE SÉCURITÉ ET LES INSTRUCTIONS. CONSERVER CETTE ILLUSTRATION AVEC L'OUTIL POUR RÉFÉRENCE FUTURE. SI VOUS AVEZ DES QUESTIONS, COMMUNIQUEZ AVEC VOTRE REPRÉSENTANT OU VOTRE DISTRIBUTEUR DE STANLEY-BOSTITCH.

21680B-LN, 21680B-LN-E

INDUSTRIAL FINE WIRE STAPLER

GRAPADORA INDUSTRIAL DE ALAMBRE FINO

AGRAFEUSE INDUSTRIELLE À AGRAFES FINES



BOSTITCH

21680B-LN, 21680B-LN-E			Parts List: IP1247-2REVB		
To be Used with tool parts illustration: and operation and maintenance manual:			IP1247-1REVB 174325		
Serial Number on the Tool:			21680B-LN 8 072 000 and Higher 21680B-LN-E 8 072 000 and Higher		
ITEM	PART #	DESCRIPTION	ITEM	PART #	DESCRIPTION
1	174288	CAP	54	108467	O-RING,1.237 X .103
2	174289	BUMPER, PISTON STOP	55	100817	O-RING, 1.299 X .103
3	100353	O-RING, 1.301 X .070	56	174284	SEAL, VALVE
4	174308	O-RING, .701X.075	57	174276	HOUSING, TRIGGER
5	177716	ASSEMBLY, DRIVER/PISTON	58	174285	SCREW, M3 X 16
6	174309	O-RING,1.049X,103	59	174298	RETAINER,E-RING
7	174310	O-RING, .989X.070	60	174269	ASSEMBLY, TRIGGER
8	851349	O-RING, 1.239 X .070	61	174268	PIN, SPECIAL
9	174100	BUMPER	62	174326	PIN,SOLID,M3X22
10	174324	SLEEVE, CYLINDER			
11	174099	PLATE, DRIVER GUIDE	67	174329	SPACER,CAP
12	177701	NOSE	68	174328	GASKET
13	174306	SCREW,SHCS,M4X0.7X14			
14	159831	LABEL, WARNING	21680B-LN-E (EUROPEAN TOOL) ONLY		
15	174290	RETAINER, CLIP	69	174300	SPRING, COMPRESSION, CONICAL
16	174265	FRAME	70	174299	TRIGGER, SECOND
17	174274	SCREW,SHCS,M3X0.5X32	71	177685	PIN, SPRING, 4X30MM
18	174266	MUFFLER			
19	174295	GASKET, END CAP	ACCESSORIES (SOLD SEPARATELY)		
20	174296	CAP, END	63	174267	ASSEMBLY, SKIRT GAUGE
21	174273	LATCH			
22	174301	SPRING, TORSION	65	174322	WRENCH
23	174302	BUSHING, SPRING	66	174323	CAP, HEAVY
24	177723	PUSHER			
25	174291	SPRING, EXTENSION	69	174300	SPRING, COMPRESSION, CONICAL
26	174297	LATCH, INSIDE	70	174299	TRIGGER, SECOND
27	MHE4070-100	ELASTIC STOP NUT, M4	71	177685	PIN, SPRING, 4X32MM
28	174293	ROLLER			
29	177740	PIN, ROLLER			
30	174303	PIN,COILED,M3X22			
31	MHE3050-100	NUT, NYLON , M3 x 0.5			
32	MSC4070-10	SCREW, SHCS, M4X0.70X10			
33	174264	STOP PLATE			
34	174317	LABEL, 21680B			
35	174287	VALVE, ENERGY CONTROL			
36	174311	O-RING, .217X.059			
37	174304	PIN,COILED,M4X18			
38	174305	PIN,COILED,M4X30			
39	177729	MAGAZINE			
40	174307	SCREW,SFHCS,M4X0.7X14			
41	177708	ASSEMBLY, SLIDING MAGAZINE			
42	TVA13	ASSEMBLY, TRIGGER VALVE			
43	86459	O-RING, .614 X .070			
44	174278	HEAD VALVE			
45	174312	O-RING, .700X.072			
46	102163	O-RING, .591 X .059			
47	174280	SPRING, COMPRESSION			
48	174279	SEAL, EXHAUST			
49	174281	WASHER, SPECIAL			
50	174277	HOUSING, HEAD VALVE			
51	174282	SEAL, TRIGGER STEM			
52	174283	STEM			
53	174313	O-RING, .042X.050			