

EC axial compact fan

sickle-shaped blades (S series), single-intake

ebm-papst Mulfingen GmbH & Co. KG

Bachmühle 2 · D-74673 Mulfingen

Phone +49 7938 81-0

Fax +49 7938 81-110

info1@de.ebmpapst.com

www.ebmpapst.com

Limited partnership · Headquarters Mulfingen

Amtsgericht (court of registration) Stuttgart · HRA 590344

General partner Elektrobau Mulfingen GmbH · Headquarters Mulfingen

Amtsgericht (court of registration) Stuttgart · HRB 590142

Nominal data

Type	W2G115-AE31-15	
Motor	M2G045-BA	
Nominal voltage	VDC	24
Nominal voltage range	VDC	18 .. 30
Method of obtaining data		fa
Speed (rpm)	min ⁻¹	3100
Power consumption	W	5.7
Max. back pressure	Pa	35
Max. back pressure	in. wg	0.14
Min. ambient temperature	°C	-25
Max. ambient temperature	°C	72

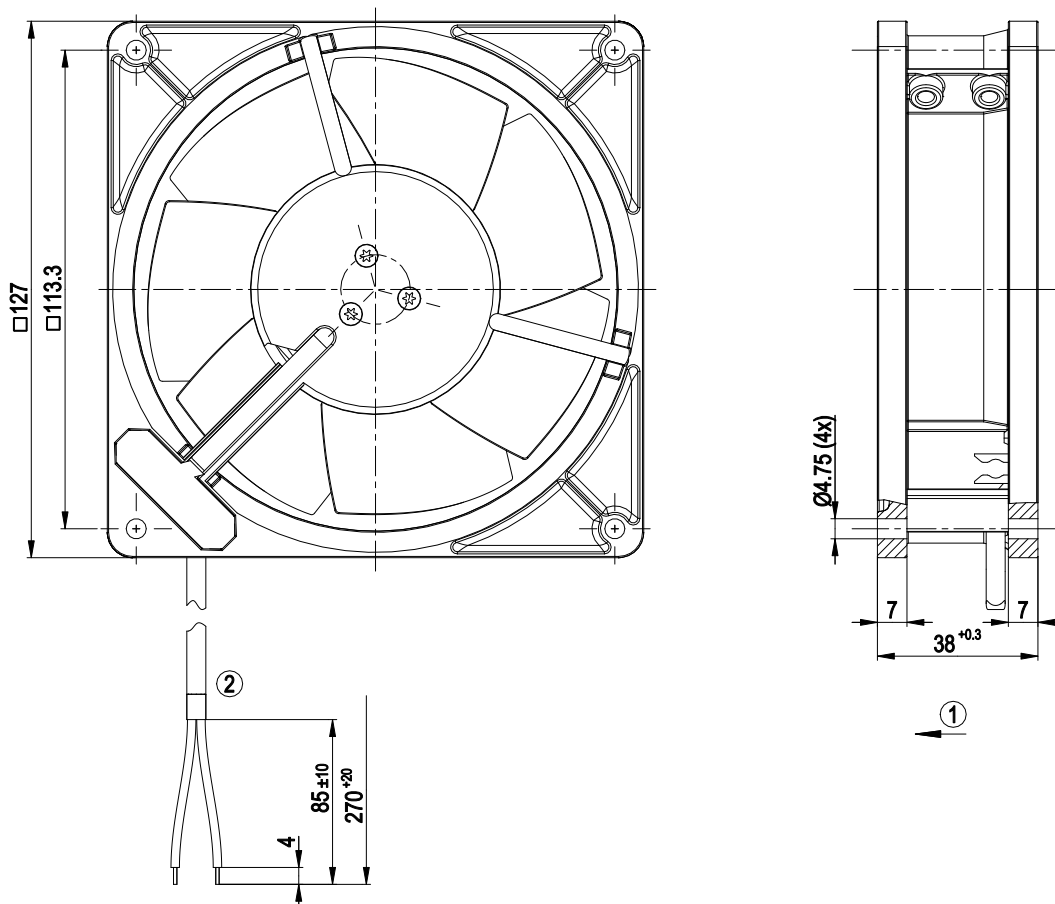
ml = Max. load · me = Max. efficiency · fa = Free air · cs = Customer specification · ce = Customer equipment
Subject to change



Technical description

Weight	0.54 kg
Size	115 mm
Motor size	45
Rotor surface	Painted black
Blade material	Sheet steel, painted black
Housing material	Die-cast aluminum, painted black
Fan housing material	Die-cast aluminum, painted black
Number of blades	7
Airflow direction	V
Direction of rotation	Counterclockwise, viewed toward rotor
Degree of protection	IP22
Insulation class	"B"
Moisture (F) / Environmental (H) protection class	H1
Max. permitted ambient temp. for motor (transport/storage)	+ 80 °C
Min. permitted ambient temp. for motor (transport/storage)	- 40 °C
Installation position	Any
Condensation drainage holes	None
Mode	S1
Motor mounting	Ball bearing
Technical features	- Tach output - Thermal overload protection for motor
Motor protection	Reverse polarity and locked-rotor protection
Protection class	I (with customer connection of protective earth)
Conformity with standards	EN 60335-1
Approval	EAC; UL 507

Product drawing

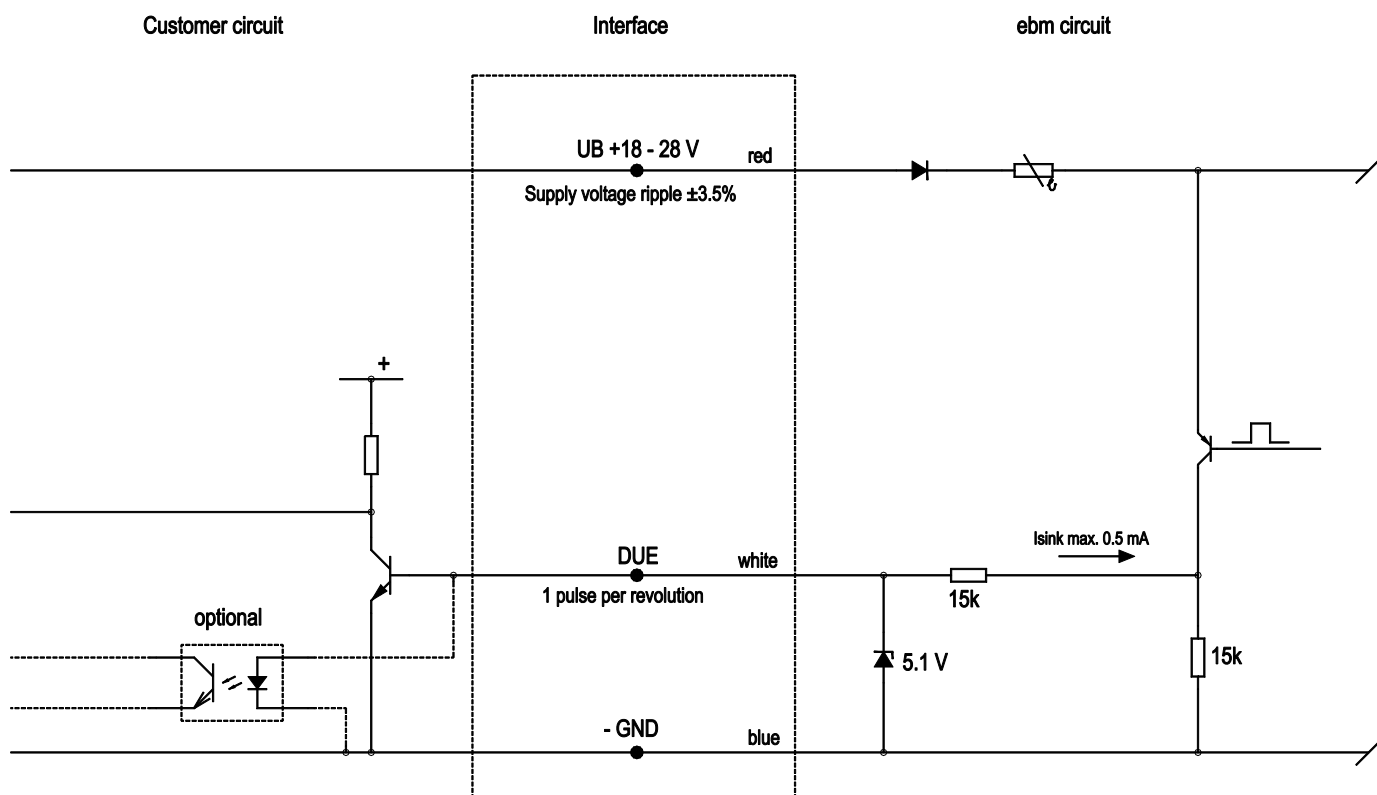


- | | |
|---|--|
| 1 | Direction of air flow "V" |
| 2 | Cable AWG22, -300 V, 3x tin-plated wire ends |

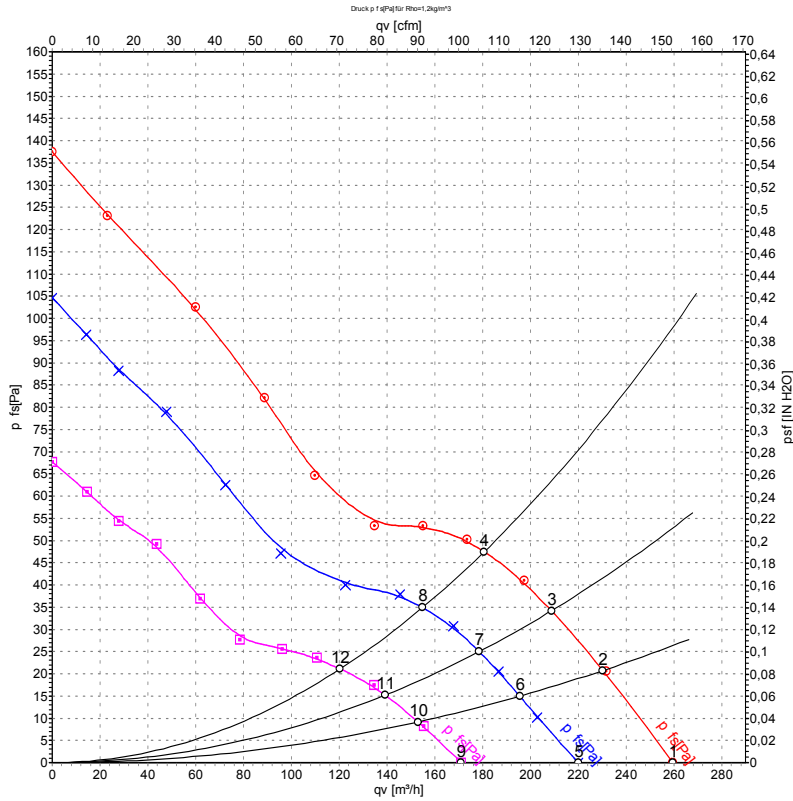
EC axial compact fan

sickle-shaped blades (S series), single-intake

Connection diagram



Curves: Air performance



Measurement: LU-35871-1
 Measurement: LU-35870-1
 Measurement: LU-35872-1

Air performance measured according to ISO 5801 installation category A. For detailed information on the measurement setup, contact ebmpapst. Intake sound level: Sound power level according to ISO 13347 / sound pressure level measured at 1 m distance from fan axis. The values given are valid under the specified measuring conditions and may vary due to conditions of installation. For deviations from the standard configuration, the parameters have to be checked on the installed unit.

Measured values

	U	n	P _{ed}	I	q _v	p _{fs}	q _v	p _{fs}
	V	min ⁻¹	W	A	m ³ /h	Pa	cfm	in. wg
1	30	3870	11	0.40	260	0	155	0.00
2	30	3730	12	0.43	230	21	135	0.08
3	30	3630	13	0.45	210	34	125	0.14
4	30	3535	13	0.46	180	48	105	0.19
5	24	3300	7.0	0.31	220	0	130	0.00
6	24	3170	7.6	0.33	195	15	115	0.06
7	24	3095	7.9	0.34	180	25	105	0.10
8	24	3035	8.1	0.36	155	35	90	0.14
9	18	2590	3.5	0.20	170	0	100	0.00
10	18	2505	3.8	0.22	155	9	90	0.04
11	18	2450	3.9	0.23	140	15	80	0.06
12	18	2410	4.1	0.23	120	21	70	0.08

U = Power supply · n = Speed (rpm) · P_{ed} = Power consumption · I = Current draw · q_v = Air flow · p_{fs} = Pressure increase

