

Capsule pressure gauge, stainless steel

For the process industry

Models 632.50, 633.50, NS 63, 100, 160

WIKA data sheet PM 06.03



for further approvals
see page 3

Applications

- With liquid-filled case for applications with high dynamic pressure loads or vibrations ¹⁾
- For gaseous, dry and aggressive media, also in aggressive ambience
- Process industry: Chemical/petrochemical, pharmaceutical, biotechnology, machine and power generation industries

Special features

- Zero adjustment at the front
- All stainless steel construction
- Special connection location on request
- Low scale ranges from 0 ... 2.5 mbar

¹⁾ Model 633.50



Capsule pressure gauge, model 632.50

Description

Design

EN 837-3

Nominal size in mm

63, 100, 160

Accuracy class

1.6

Scale ranges

NS 63: 0 ... 40 mbar to 0 ... 600 mbar

NS 100: 0 ... 16 mbar to 0 ... 600 mbar

NS 160: 0 ... 2.5 mbar to 0 ... 600 mbar

or all other equivalent vacuum or combined pressure and vacuum ranges or all other equivalent vacuum or combined pressure and vacuum ranges

Pressure limitation

Steady: Full scale value

Fluctuating: 0.9 x full scale value

Permissible temperature

Ambient: -20 ... +60 °C

Medium: +100 °C maximum

Temperature effect

When the temperature of the measuring system deviates from the reference temperature (+20 °C):
max. ±0.6 %/10 K of full scale value

Ingress protection per IEC/EN 60529

IP54 for model 632.50 (without liquid filling)

IP65 for model 633.50 (with liquid filling)

Standard version

Process connection

Stainless steel 316L

Lower mount (LM) or lower back mount (LBM) ¹⁾

NS 63: G ¼ B (male), SW 14

NS 100, 160: G ½ B (male), SW 22

Pressure element

Stainless steel 316L

Sealing

FPM/FKM

Movement

Stainless steel

Zero adjustment

At the front

Dial

Aluminium, white, black lettering

Pointer

Aluminium, black

Case

Stainless steel

Window

Laminated safety glass

(with liquid filling: Clear non-splintering plastic)

Ring

Bayonet ring, stainless steel

Filling liquid ¹⁾

Glycerine 86.5 % for scale ranges ≥ 60 mbar ²⁾








1) only available for model 633.50 with NS 100, 160

2) Option accuracy class 1.0 available from ≥ 100 mbar

Options

- Other process connection
- Sealings (model 910.17, see data sheet AC 09.08)
- Accuracy class 1.0 for model 632.50 and scale range ≥ 40 mbar (without filling liquid)
- Accuracy class 1.0 for model 633.50 and scale range ≥ 100 mbar (with filling liquid)
- Permissible ambient temperatures -40 ... +60 °C
- Overload safety and vacuum safety with
scale range > 25 mbar: 10 x full scale value
scale range ≤ 25 mbar: 3 x full scale value
- Surface mounting flange
- NS 100 and 160: Panel mounting flange
- NS 100 and 160: Triangular bezel with clamp
- NS 100: From scale range ≥ 100 mbar switch contacts (model 831, data sheet AC 08.01)

Approvals

Logo	Description	Country
	EU declaration of conformity <ul style="list-style-type: none"> ■ Pressure equipment directive ■ ATEX directive (option) Ex II 2GD c TX Ignition protection type „c“, constructive safety	European Union
	EAC (option) <ul style="list-style-type: none"> ■ Pressure equipment directive ■ Hazardous areas 	Eurasian Economic Community
	GOST (option) Metrology, measurement technology	Russia
	KazInMetr (option) Metrology, measurement technology	Kazakhstan
-	MTSCHS (option) Permission for commissioning	Kazakhstan
	BelGIM (option) Metrology, measurement technology	Belarus
	UkrSEPRO (option) Metrology, measurement technology	Ukraine
	Uzstandard (option) Metrology, measurement technology	Uzbekistan
-	CPA (option) Metrology, measurement technology	China

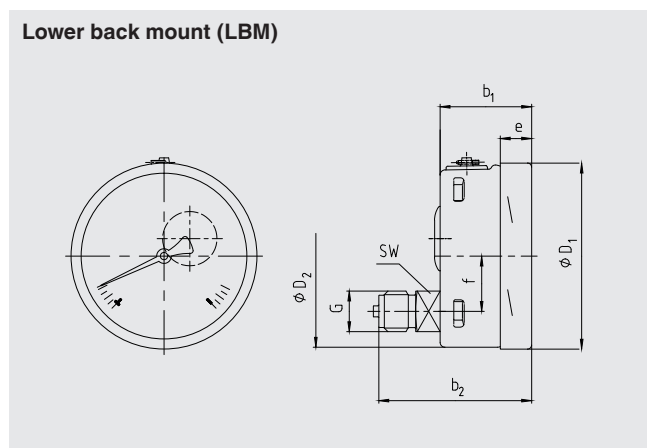
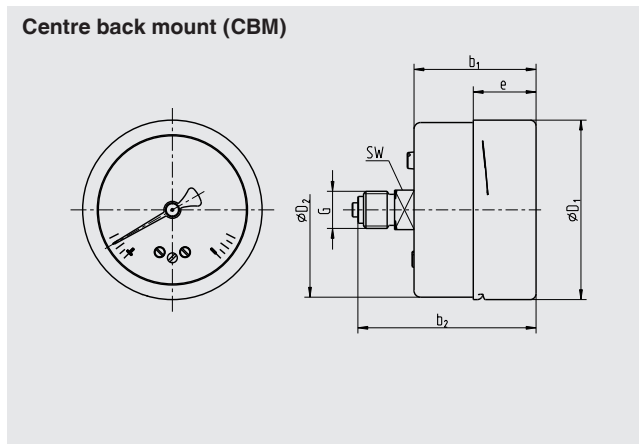
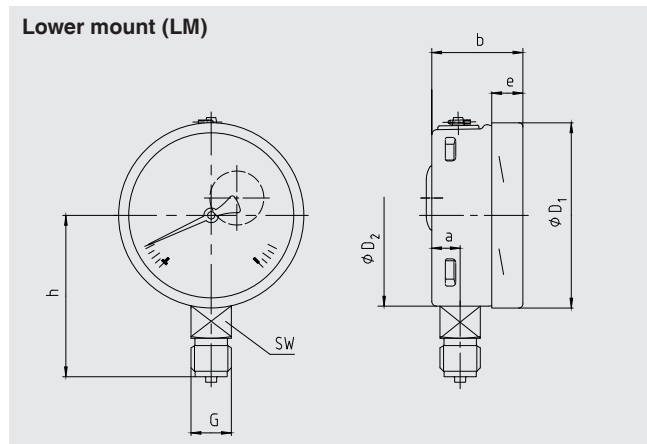
Certificates (option)

- 2.2 test report
- 3.1 inspection certificate

Approvals and certificates, see website

Dimensions in mm

Standard version



NS	Dimensions in mm											Weight in kg
	a	b	b ₁	b ₂	D ₁	D ₂	e	f	G	h ±1	SW	
63	9.5	42	42	63	64	62	22	- 1)	G ¼ B	52	14	0.19
100	15.5	49.5	49.5	83	101	99	17.5	30	G ½ B	87	22	0.60
160	15.5	49.5	49.5	83	161	159	17.5	50	G ½ B	118	22	1.10

Process connection per EN 837-1 / 7.3
 1) With NS 63: Centre back mount (CBM)

Ordering information

Model / Nominal size / Scale range / Process Connection / Connection location / Options

© 12/2008 WIKA Alexander Wiegand SE & Co. KG, all rights reserved.
 The specifications given in this document represent the state of engineering at the time of publishing.
 We reserve the right to make modifications to the specifications and materials.