

Product description
Pump BF-E

APPLICATION

Suitable everywhere lubrication grease is to be fed with high pressure straight from the barrel.

PRODUCT CHARACTERISTICS

- Electrically driven drum pump
- Discharge max. 100 cm³/min (3000 r.p.m.)
- Discharge pressure max. 320 bars
- Lubricant: grease
- Surface signal grey RAL 7004

ADVANTAGES

- Simple in design and operation
- Problem-free exchanging of barrels
- Safe emptying of barrel thanks to an integrated follower piston
- Extension or modification of existing plants without any problem
- Central lubrication of more than 1,000 points

FUNCTION

The pump BF-E has an electric and a hydraulic section. The electric motor feeds oil to the hydraulic system via a gear pump.

Upon reaching a max. pressure of 10 bars the oil is allowed to return to the reservoir.

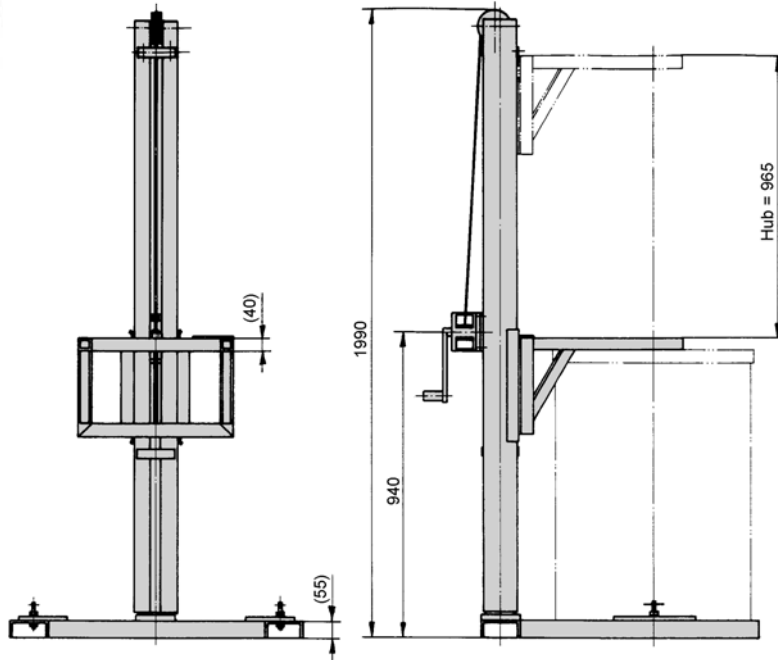
The hydraulic motor motion is transmitted to the grease pump feed piston. At the upward stroke of the piston the lubrication grease is sucked and transferred on the pump outlet port. The max. discharge pressure attainable is 320 bars. (i.e. hydraulic pressure multiplied by the internal ratio).



A. PUMP TYPE	Code
	BFE
B. NUMBER OF OUTLETS	Code
1 outlet	01
C. REVISION	Code
Status A	A
D. KINDS OF DRIVE	Code
Three-phase A.C. motor 230/400 V / 260/460V (1500/1800 r.p.m.), 50/60 Hz, 0.25 kW	01
Three-phase A.C. motor 230/400 V / 260/460V (3000/3600 r.p.m.), 50/60 Hz, 0.55 kW	02
E. POSITION OF DRIVE	Code
without	0
F. RESERVOIR / DRUM SIZE	Code
200 liters	A



G. ACCESSORIES	Code
without	00
Level switch	01
Relief line	02
Level switch & relief line	03
Lifting device	04
Lifting device & level switch	05
Lifting device & relief line	06
Lifting device & level switch & relief line	07



Lifting device

EXAMPLE OF ORDER

Code											
B	F	E	0	1	A	0	1	O	A	0	5

Pump type BFE	Code: BFE										
Number of outlet 1 outlet	Code: 01										
Revision Status A	Code: A										
Kinds of drive Three-phase motor 230/400V / 260/460V, 50/60 Hz, 0.25 kW	Code: 01										
Position of drive without	Code: O										
Reservoir / drum size 200 liters	Code: A										
Accessories Lifting device & level switch	Code: 05										



SPECIFICATION

Discharge pressure : _____ max. 320 bars
 Pressure switch : _____ set to 320 bars, (adjustable from 100 to 400 bars)
 Discharge volume : _____ optional, depending on driving speed at $n = 1500 \text{ min}^{-1}$ _____ 50 cm^3 (3,0 l/h)
 at $n = 3000 \text{ min}^{-1}$ _____ 100 cm^3 (6,0 l/h)
 Usable lubricants based on mineral oil : _____ grease up to NLGI class 2
 (base oil viscosity max. 200 cSt based on mineral oil), DIN 51818
 Oils and other media : _____ on request
 Transmission ratio : _____ P1 (lubricant) = 45 / P2 (hydraulics) = 1
 Hydraulic pressure : _____ max. 10 bar
 Hydraulic oil at ambient temperature : _____ = 0 °C, H-L 22 DIN 51524 part 1 / _____ = 0 °C, H-L 10 DIN 51524 part 1
 Oil filling : _____ 24 liters
 Drive motor : _____ three-phase current according to DIN 42677, observe rotational direction
 IMB 14-71-C 105; 0.25 kW x 1500 U/min or IMB 14-71-C 105; 0.55 kW x 3000 U/min
 Voltage : _____ 230/400V, 50 Hz / 260/460V, 60 Hz; other voltage, frequency and speed on request
 Ambient temperature : _____ - 20° C to + 50°C
 Protection system : _____ IP 44
 Weight (without oil filling) : _____ 42 kg
 Application : _____ centering lid and follower plate according to DIN 6643/44 for rolling hoop lid drums 200/216 liters
 and/or rolling channel lid drums 200/216 liters

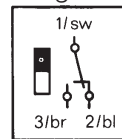
The degree to which the drum is emptied depends on the lubricant to be delivered and the ambient temperature.

Electrical data of the contents control

Kind of contact : _____ 1 change-over switch
 Switching capacity : _____ ON 60 VA
 Switching current : _____ ON 0.24 A
 Voltage max. : _____ 250V AC
 Basic adjustment of contact making with
 a drum capacity of approx. _____ 10 liters drum capacity
 Adjusting range : _____ 0 - 20 liters drum capacity
 Protection system : _____ IP 65

Circuit symbol:

Change-over switch, figure: reservoir level > min.



DELIMON

Zentrale

Arminstraße 15
 D-40227 Düsseldorf
 Postfach 10 20 52
 D-40011 Düsseldorf
 Telefon: +49 211 7774 0
 Telefax: +49 211 7774 210
 kontakt@bijurdelimon.com
 www.bijurdelimon.com

DELIMON

Niederlassung Beierfeld

Am Bockwald 4
 D-08344 Grünhain-Beierfeld

DELIMON

Österreich

Lemböckgasse 49
 Haus 2 / Stiege E 4.OG / Top E 4-3
 A-1230 Vienna
 Telefon: +43 1 585 66 17
 Telefax: +43 1 585 66 17 50
 kontakt@bijurdelimon.com
 www.bijurdelimon.com

LUBRIMONSA

Spain

Avda. Txori-Erri 38
 48150 Sondica - (Vizcaya)
 Teléfono: +34 94 453 20 00
 Fax: +34 94 453 25 00
 spain@bijurdelimon.com
 www.bijurdelimon.com

DELIMON-Denco Lubrication

DELIMON-Cooling

United Kingdom

Ramsden Court, Ramsden Road
 Rotherwas Industrial Estate
 Hereford
 HR2 6LR
 Phone: +44 (0) 1432 365 000
 Fax: +44 (0) 1432 365 001
 info@delimon.co.uk
 www.bijurdelimon.com



BIJUR Products, Inc.

France

BP 50
 ZI de Courtabœuf
 5, Avenue de l'Atlantique
 91942 Les Ulis Cedex
 Tél.: +33 1 692 985 85
 Fax: +33 1 690 776 27
 contact@bijurdelimon.com
 www.bijurdelimon.com

*Für reibungslose Bewegung
 For smooth motion*

