



Technical data

Type	Twin pressure reducing valve with filter and mechanical trip point	
Ambient temperature range	0° to 70°C	
Admissible medium	Compressed air	
Flow (at supply pressure 30 bar and $\Delta p = 1$ bar)	1100 NI/min	
Nominal diameter	P, A	ND 7
	B	ND 12
Connection threads	P, A	M 14 x 1.5
	B	M 22 x 1.5
Weight	5.8 kg	
Materials	Housing	Aluminium, sea water resistant
	Inside parts	Stainless



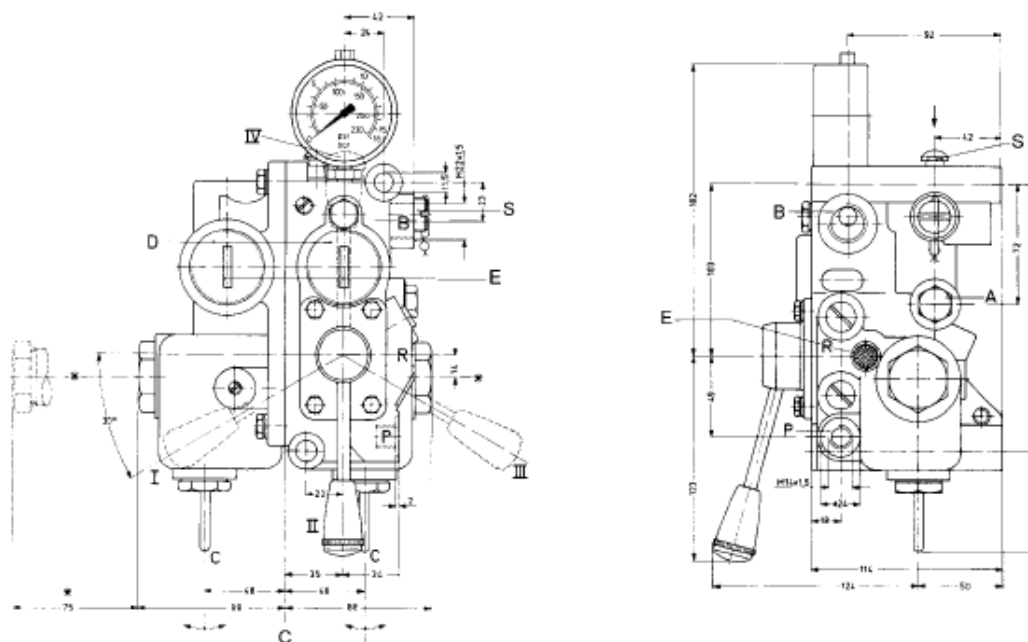
Type number

Symbol	Input pressure [bar]	Outlet pressure [bar]	Response pressure Safety valve [bar]	Response pressure*) Safety valve [bar]	Type number
	40	6 - 9.5	6 - 10	8	335 320 000 0

*) Adjusting ex works

Accessories (to be ordered separately)

Accessories	Designation	Type number
	Repair kit	335 320 002 2



The device has to be mounted vertically as shown and will be fastened by two screws M 10 x 120.

*) Space required for filter disassembly D) Adjusting cap for pressure reducing valve, E) Exhaust, H) Lever for safety valve, S) Safety valve, C) Condensate drain