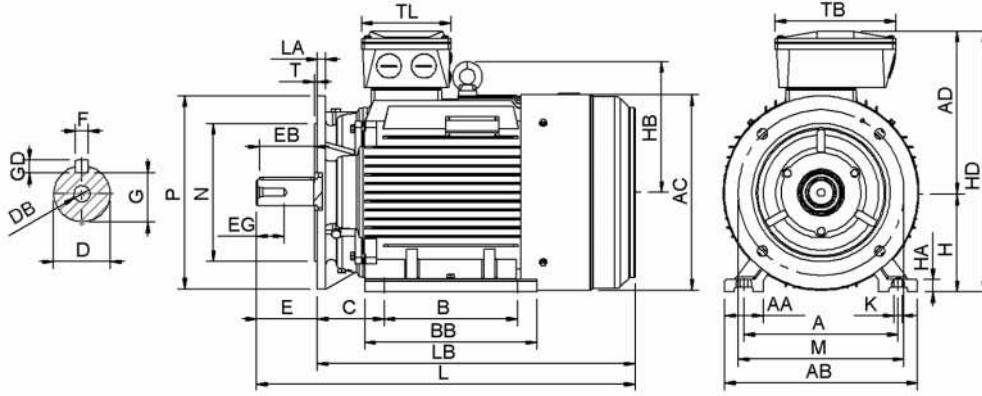


# Data Sheet

Itemnumber....: 5541601400



A = 254	AC = 313	BB = 304	DB = M16	EG = 36	GD = 8	HB = 221	L = 654	LE = 639	P = 350	TB = 218
AA = 65	AD = 276	C = 108	E = 110	F = 12	H = 160	HD = 436	LA = 14	M = 300	S = 4-Ø18.5	
AB = 314	B = 254	D = 42	EB = 100	G = 37	HA = 20	K = 4	LB = 544	N = 250	T = 5	

<b>Version</b>	<b>Mechanical design</b>	<b>Bearing</b>
Type.....: HMC3 160L-4	Frame size.....: 160	DE Bearing.....: 6309-ZZ/C3
Design.....: Induction motor	Mounting.....: B35	NDE Bearing.....: 6309-ZZ/C3
Standard series.....: IEC 60034	Rain cap.....: No	Fixed bearing.....: DE
Phase / Voltage range.....: 3~ / Low	Protection class.....: IP55	
	Cooling method.....: IC411/TEFC	<b>Terminal box</b>
<b>Electrical design</b>	External grounding.....: Yes	Tbox position.....: Top
Efficiency.....: IE3	Drain hole.....: Yes	Cable entry direction.....: Right (from DE)
Pole.....: 4	Frame material.....: Cast Iron	Cable entry
Power at 50 Hz (kW).....: 15,0	Material approval.....: None	Main.....: 2 x M40x1,5
Hz.....: 50	Shaft.....: IEC standard	Metal blindcaps
Voltage.....: 400VD/690VY	Key.....: Closed key	Accessory.....: 2 x M20x1,5
Winding voltage.....: 400VD/690VY 50 Hz	Balancing.....: Half key balancing	Metal blindcaps
Power output (kW).....: 15,0	Vibration class.....: Grade-A	Connection type.....: Delta (D)
Duty.....: S1	Weight (kg).....: 151	Terminal board thread.....: 6-M6
Insulation class.....: F		
Temperature rise.....: B		

<b>Environment condition</b>	<b>Test values</b>
Ambient temp. min. (°C)..: -20	Rotor inertia (kgm²).....: 0,13
Ambient temp. max. (°C)..: 40	Noise level (dB(A)).....: 70
Altitude (mtr up to).....: 1000	No load current (A).....: 12,0
	Winding resist. (ohm).....: 0,58
	Starting time (sec.).....: 0,08
	Temp. rise winding (K).....: 66
	Temp. rise surface (K).....: 40

<b>Motor protection</b>
Thermal protection main....: PTC 3x 155 dgr
Thermal protection second..: None
Space heater.....: None
Temperature detector.....: No
SPM.....: No
IR wire.....: No
Tropical insulation.....: No

<b>Explosion protection</b>
According to.....: None
Type of protection.....: None

<b>General</b>
Direction of rotation.....: CW
Painting.....: RAL 9005 Gloss 10
Nameplate.....: Multivoltage
Special packing.....: No
Special requirements.....: No

Rated power (kW) . . . . .	15,0	14,6	18,0	17,4
Frequency (Hz) . . . . .	50	50	60	60
Voltage (V) . . . . .	400 690	380 660	480 830	440
Connection . . . . .	D Y	D Y	D Y	D
Full load current (A) . . . . .	28,5 16,4	29,5 17,0	28,5 16,4	29,5
Speed (rpm) . . . . .	1470	1470	1760	1760
Power factor cos(phi) . . . . .	0,83	0,84	0,83	0,85
Efficiency, 100/75/50 (%) . . . . .	92,1/92,4/91,8	92,1/92,4/91,8	92,1/92,4/91,8	91,6/91,9/91,2
Ist/In . . . . .	9,1	8	9,1	8,4
Full load torque (Nm) . . . . .	97,0	94,0	97,0	94,0
Tst/Tn . . . . .	3,2	3,0	3,2	2,8
Tmax /Tn . . . . .	3,4	3,2	3,4	3,0
Duty . . . . .	S1	S1	S1	S1
Ambient temp. (°C) . . . . .	40	45	40	45