

R2S175-AB56-01

# AC centrifugal fan

backward curved, single inlet



**ebm-papst Mulfingen GmbH & Co. KG**

Bachmühle 2

74673 Mulfingen

Phone: +49 7938 81-0

Fax: +49 7938 81-110

[www.ebmpapst.com](http://www.ebmpapst.com)

[info1@de.ebmpapst.com](mailto:info1@de.ebmpapst.com)

## Nominal data

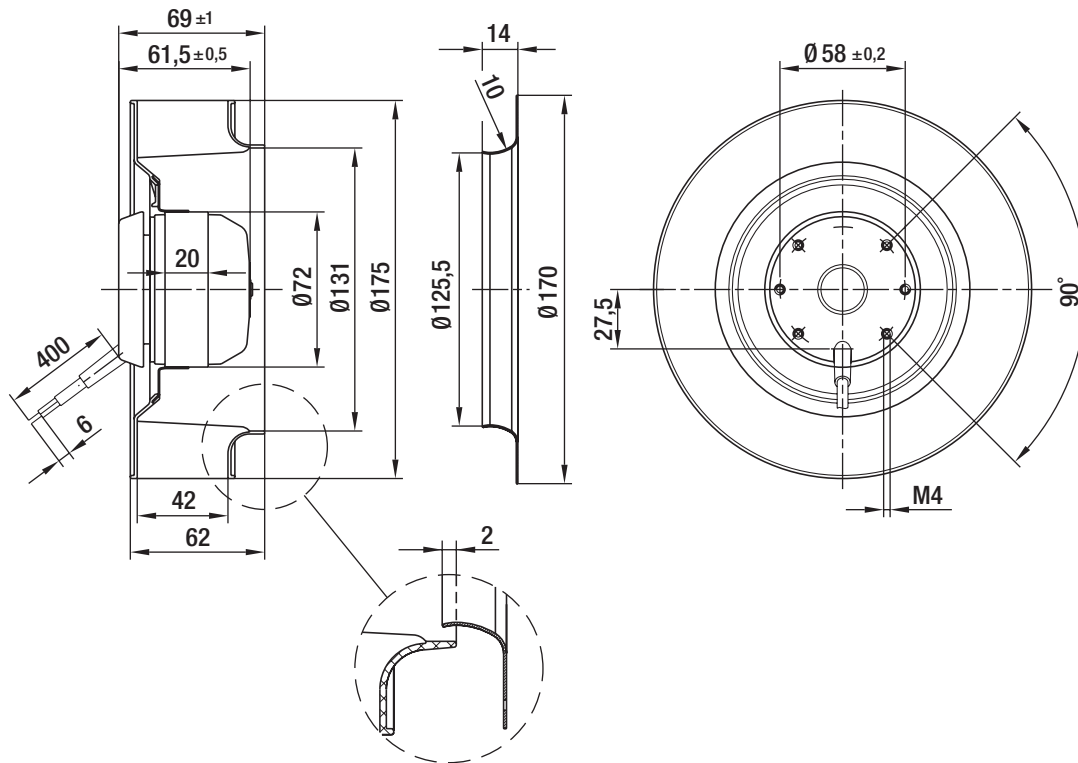
Type	R2S175-AB56-01		
Motor	M2S052-CA		
Phase		1~	1~
Nominal voltage	[V]	230	230
Frequency	[Hz]	50	60
Type of data definition		rfa	rfa
Valid for approval / standard		CE	CE
Speed	[min <sup>-1</sup> ]	2350	2300
Power input	[W]	53	51
Current draw	[A]	0.33	0.29
Min. back pressure	[Pa]	0	0
Max. ambient temperature	[°C]	40	55
Air flow	[m <sup>3</sup> /h]	440	430
Back pressure	[Pa]	0	0
Sound pressure level	[dB(A)]	61	60

ml = max. load · me = max. efficiency · rfa = running at free air · cs = customer specs · cu = customer unit  
Subject to alterations

## Technical features

<b>Leakage current</b>	< 0,75 mA
<b>Size</b>	175 mm
<b>Operation mode</b>	Continuous operation (S1)
<b>Direction of rotation</b>	Clockwise, seen on rotor
<b>Insulation class</b>	"B"
<b>Cable exit</b>	Axial
<b>Bearing-motor</b>	Ball bearing
<b>Mass</b>	0.9 kg
<b>Material of electronics housing</b>	Rotor: Coated in black
<b>Material of impeller</b>	PA plastic 6.6, fiberglass-reinforced
<b>Motor protection</b>	Thermal overload protector (TOP) wired internally
<b>Product conforming to standard</b>	CE
<b>Number of blades</b>	7
<b>Type of protection</b>	IP 20
<b>Protection class</b>	I
<b>Approval</b>	CCC; GOST

## Product drawing

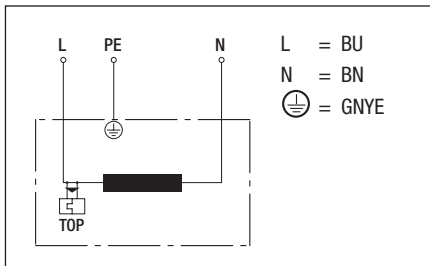


R2S175-AB56-01

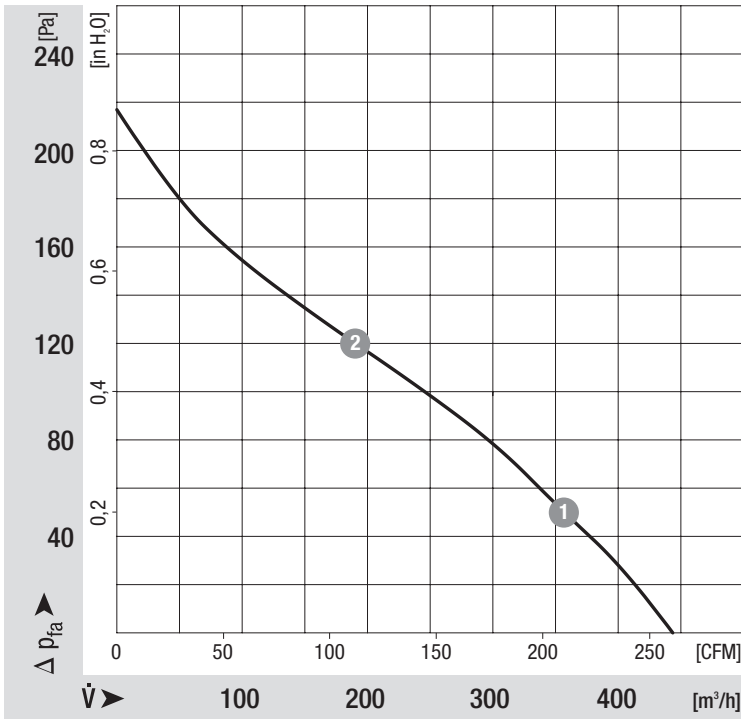
# AC centrifugal fan

backward curved, single inlet

## Connection screen



Charts: Air flow 50 Hz



	n	P <sub>1</sub>	I
	[min <sup>-1</sup> ]	[W]	[A]
1	2240	54	0.27
2	2120	56	0.28

## Charts: Air flow 60 Hz

