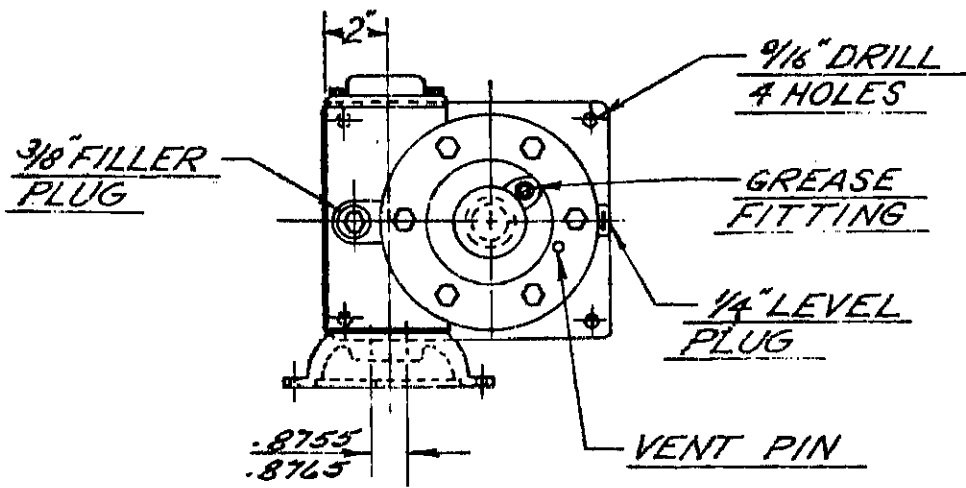


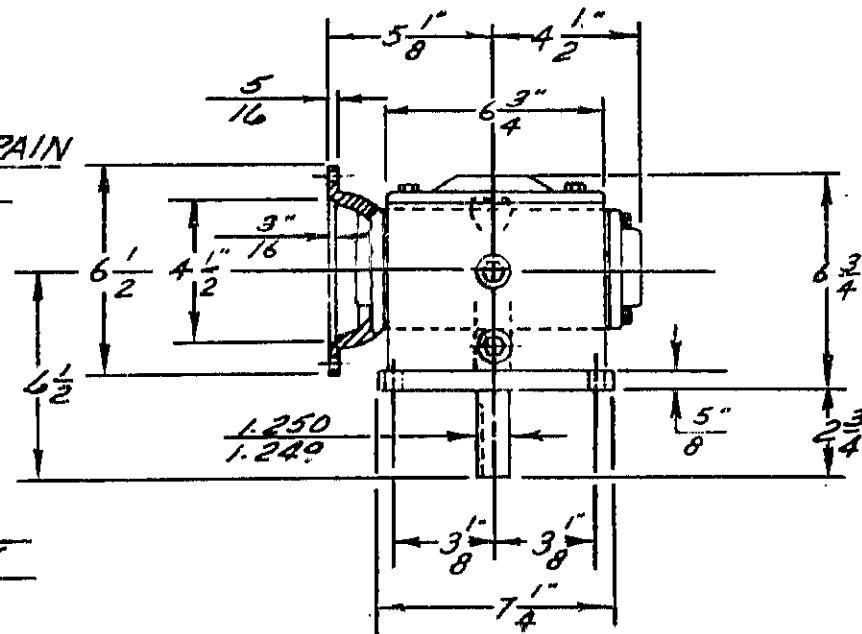
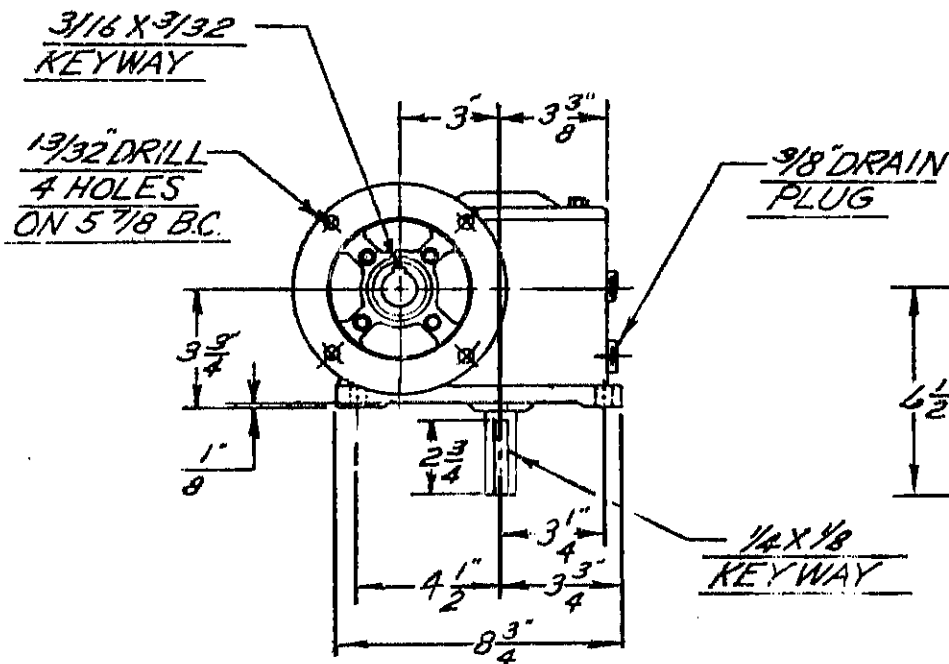
REVISIONS

B



FRAME:

1A37C, 1A57C, 1B2C, 1B4C



OUTLINE STANDARD ASSEMBLY 1-RD

MOUNTING FLOOR

WINSMITH, INC.
 SPRINGVILLE, ERIE CO., N. Y.

UNIT 5MCV WORM GEAR REDUCER

RATIO DATE

CERTIFIED CORRECT FOR

ORDER NO.

DRAWN BY *K* DATE 12-27-75

APPROVED BY

CHECKED BY *✓* SCALE 2"=1'-0"

A-354-3A-2