

△ Cable with connector (extension cable)  
Regarding cable length, see below (separated package)

△ Approx. 100~10000 (see below)

— Cable length on sensor side (m)  
— Length of extension cable (m)

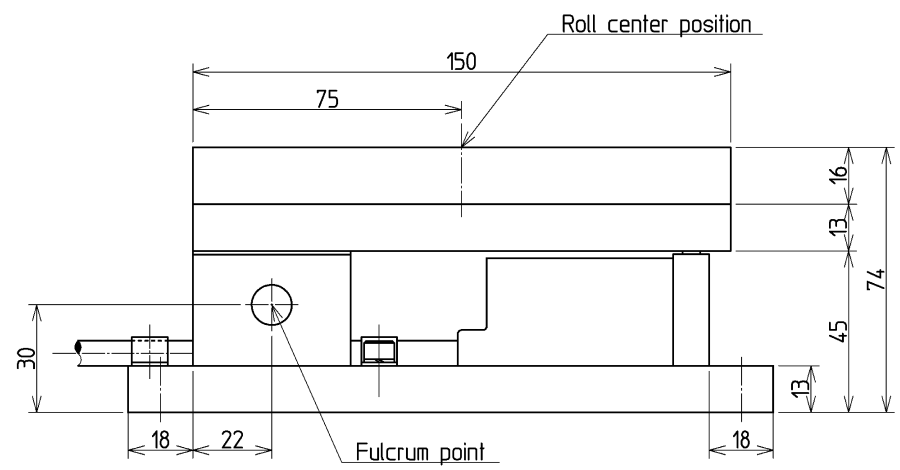
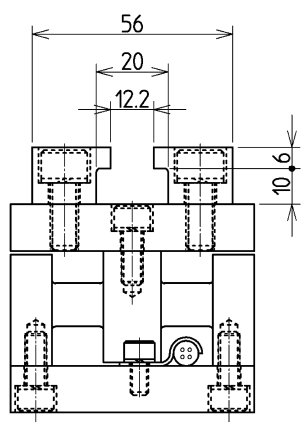
△ MB25A(B) - □ - □

Cable length on sensor side (m)	0	1	1.5	2	2.5	3~10
---------------------------------	---	---	-----	---	-----	------

When you lengthen cable length more than 3m, the maximum length should be 10m lengthened by the increment of 1m unit.  
When you connect it with an extension cable, you don't exceed 50m in total.  
In case of no request for cable length, 100mm cable will be supplied for the part of 0 in the table.

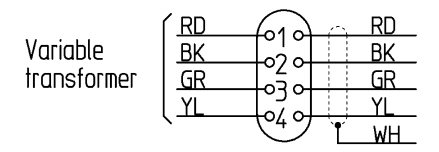
Length of extension cable (m)	5	7	10~50
-------------------------------	---	---	-------

When you lengthen cable length more than 5m, the maximum length should be 50m lengthened by the increment of 5m unit.  
When you connect it with the cable on sensor side, you don't exceed 50m in total.  
In case of no request for cable length, 5m cable will be supplied for the part of 5 in the table.



NO.	DATE	DESCRIPTION	REV.	CKD.
△	2007/02/16	REV,REWRITE (B-2129)		YKANSAWAT, AHARA
△				
△				
△				

Connector diagram



Specifications

Model	MB25A	MB25B
Rated tension	1000N	500N
Permissible sensor roll mass	100kg	50kg
Roll displacement	0.22 μ/N	0.47 μ/N
Accuracy	±1.5%	
Ambient temperature	-10°C ~ +60°C	

MB TENSION SENSOR

△ MB25A - □ - □

MB25B - □ - □

DWN. S.SAITO 1989/10/16	MASS APPROX. 3.4 kg
CKD. K.SUZUKI 1989/10/26	SCALE 1:1.5
APPD. S.SAITO 1989/12/05	ORDER NO.

DRG. NO. MW1521.0-EA

**NIRECO** CORPORATION

FORM NO. A3D201