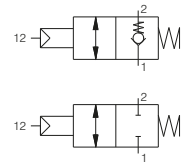
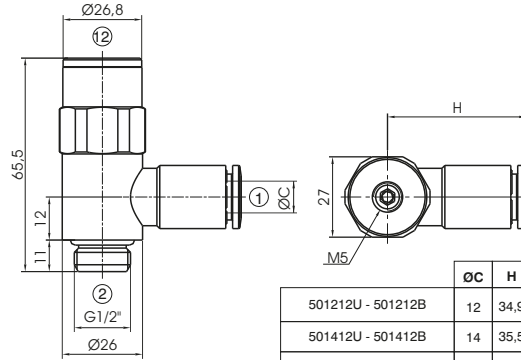


Blocking valves metal type - Size 1/2"

Coding: 50 12 V

Operational characteristics	
Fluid	Filtered air. No lubrication needed, if applied it shall be continuous
Max working pressure (bar)	0,5 ÷ 10
Temperature °C	-5 ÷ +50
Flow rate at 6 bar with $\Delta p=1$ (NI/min)	1300
Flow rate with free exhaus (NI/min)	2600

METAL TYPE	
①	A = Banjo only
	12 = Banjo Ø12
	G12 = Banjo G1/2"
VERSION	
②	U = Unidirectional
	B = Bidirectional



1
AIR DISTRIBUTION