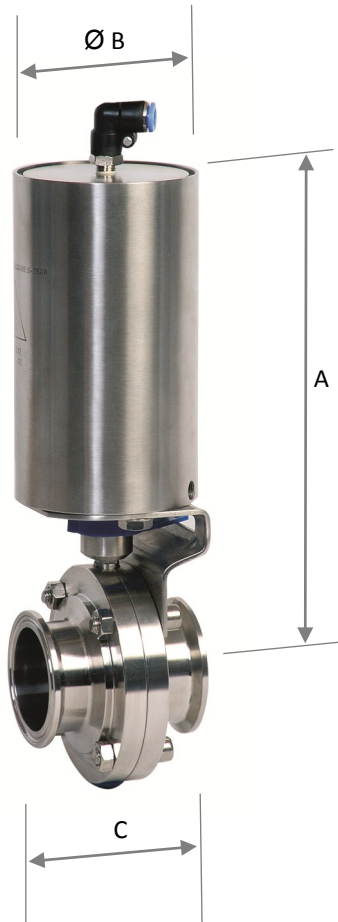




ACTUATED VALVES

GENEBRE 5940: AIR OPERATED 316L SANITARY BUTTERFLY VALVES WITH CLAMP ENDS



SPECIFICATIONS - ACTUATOR

1	304SS Pneumatic actuator
2	Air/ neutral gas pressure range: 1.5 - 7 Barg,
3	Max Temperature + 50°C
4	Air connections 1/8" BSP

SPECIFICATIONS - BUTTERFLY VALVE

1	AISI 316L Body and clamp ends
2	EPDM Seats and seals
3	Sanitary polished internally & externally
4	Maximum working pressure 10 bar at ambient temperature
5	Maximum working temperature +120°C

DIMENSIONS

AVOL REF	Actuator Type	Valve Size	A mm	B mm	B mm	Wt (SR) Kg
5940 06	44 - SR 49 - DA	1"	232	85	66	4.0
5940 08	44 - SR 49 - DA	1 1/2"	236	85	70	4.0
5940 09	44 - SR 49 - DA	2"	240	85	76	4.5
5940 10	44 - SR 49 - DA	2 1/2"	249	85	80	4.9
5940 11	44 - SR 49 - DA	3"	255	85	84	5.3
5940 12	44 - SR 49 - DA	4"	269	85	106	6.3

Eg: 2" DA Code = 5940 09 49 3" SR Code = 5940 11 44



OPTIONAL EXTRA - IP66 CONTROL HEAD OPTIONS

1	Electrical end of travel confirmation: Red and green LEDs give local visual indication Inductive proximity sensors give remote indication (5-24VDC supply)
2	Internal 24VDC pilot solenoid (110 and 240VAC option available)
3	As-i interface option available

Supplied fitted to actuator, see following page for details. Ordered separately



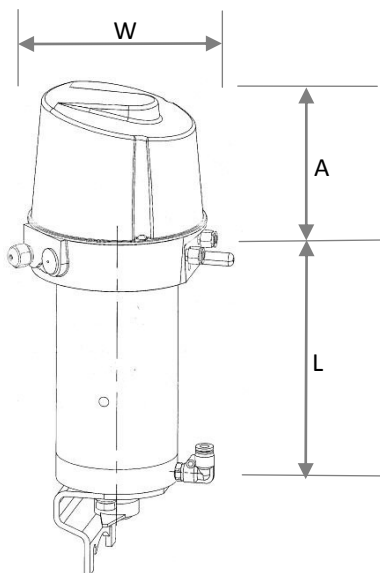
ACTUATED VALVES

GENEBRE 5944/5949: CONTROL HEAD & ACTUATOR FOR SANITARY BUTTERFLY VALVES



SPECIFICATIONS

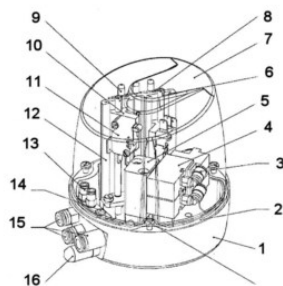
1	304SS Pneumatic actuator complete with control head
2	Air/ neutral gas pressure range: 1.5 - 7 Barg
3	Air connections 1/8" BSP (6mm push-in connector & muffler supplied)
4	Max Temperature + 50°C
5	Control head with 2 inductive detectors with LEDs (+ solenoid option)
6	Electrical supply 5 - 24VDC via M16 x 1.5 cable entries
7	IP66 Ingress protection
8	Solenoid with 24VDC standard voltage (110 or 240VAC options)
9	AS - i connectivity available



DIMENSIONS

AVOL REF	Actuator Type	A mm	L mm	W mm	Wt* Kg
5944 01	SR	125	315	125	0.5
5944 02	SR incl solenoid	125	315	125	0.5
5949 01	DA	125	315	125	0.5
5949 02	DA incl solenoid	125	315	125	0.5

* Add 0.5kg to weight of valve & actuator on page 1



CONTROL HEAD MATERIALS

1	Base	Polypropylene
2	Seal	EPDM
3*	Solenoid connector	Brass
4*	3/2 Solenoid	Aluminium
5*	Space for solenoid	-
6	Detector securing screw	Stainless steel
7	Cover	Polycarbonate
8	Connection space	-
9	LED indicator	-
10	Support for detector	Plastic
11	Inductive detector	-
12	Stand	Plastic
13	Air connection	Brass
14	Stand-by connector	Brass
15	Air connection	Brass
16	Muffler	Plastic

* Only installed when solenoid option selected (5944 02 or 5949 02)