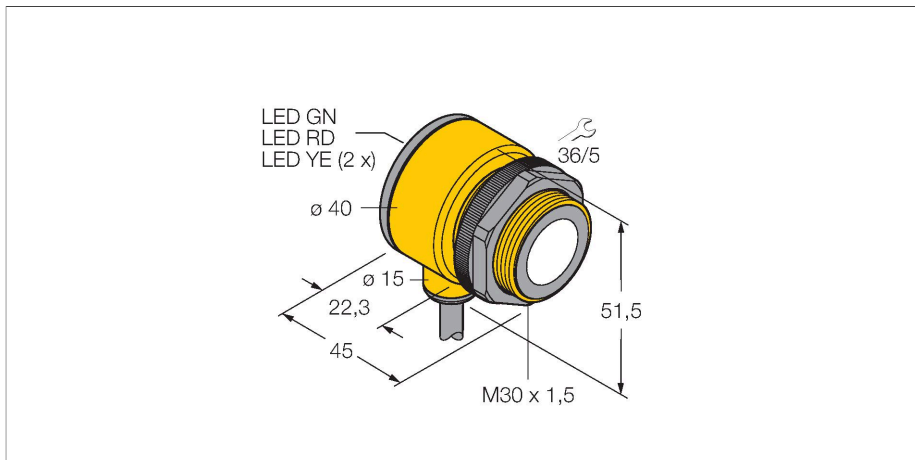


# T30UXIA

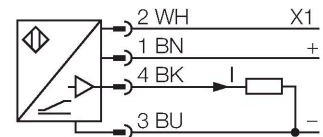
## Ultrasonic sensor – diffuse mode sensor



### Features

- Compact design
- Cable, 4-pin, 2 m
- Analog output 4...20 mA
- Response time adjustable
- Integrated temperature compensation
- Measuring range adjustable via teach-in

### Wiring diagram



### Functional principle

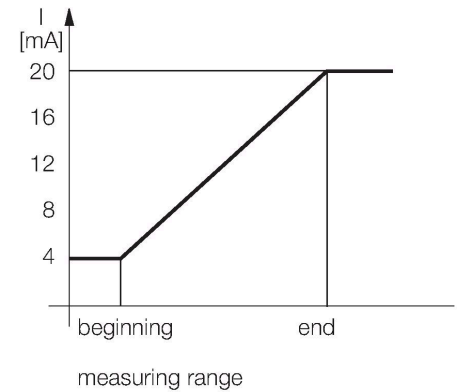
Ultrasonic sensors detect a multitude of objects contactless and wear-free with ultrasonic waves. Regardless of whether the object is transparent or opaque, metallic or non-metallic, liquid, solid or powdery. Even environmental conditions such as spray, dust or rain hardly affect their function.

### Technical data

Type	T30UXIA
ID	3080479
<b>Ultrasonic data</b>	
Function	Proximity switch
Range	100...1000 mm
Ultrasound frequency	224 kHz
Repeatability	$\leq \pm 0.5$ mm
Temperature drift	$\leq 0.02$ % of full scale/K
Edge lengths of the nominal actuator	100 mm
<b>Electrical data</b>	
Operating voltage	10...30 VDC
Load resistance	$\leq 1000 \Omega$
Response time typical	< 45 ms
Readiness delay	$\leq 500$ ms
Output function	Analog output
Current output	4...20 mA
Hysteresis	$\leq 2$ mm
Short-circuit protection	yes / Cyclic
Reverse polarity protection	Complete
Wire breakage protection	yes
<b>Mechanical data</b>	
Design	Tube, T30U
Radiation direction	straight
Dimensions	$\varnothing 40 \times 45$ mm
Housing material	Plastic, PBT
Transducer material	Plastic, Epoxyd resin and PU foam

## Technical data

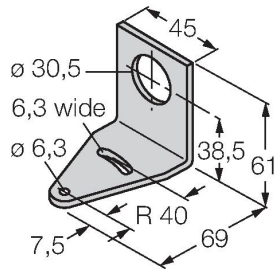
Electrical connection	Cable, 2 m, PVC
Ambient temperature	-40...+70 °C
Relative humidity	95 %
Protection class	IP67
Power-on indication	LED
Object detected	LED, Red
<b>Tests/approvals</b>	
Approvals	CE, cULus listed



## Accessories

SMB30A

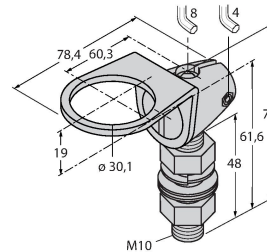
3032723



Mounting bracket, rectangular, stainless steel, for sensors with 30mm thread

SMB30FAM10

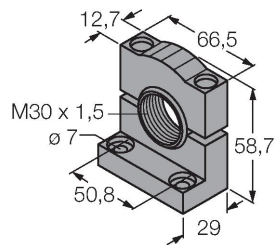
3011185



Mounting bracket, stainless steel, for M10 x 1.5 thread, thread length 30 mm

SMB30SC

3052521



Mounting bracket, PBT black, for sensors with 30 mm thread, rotatable