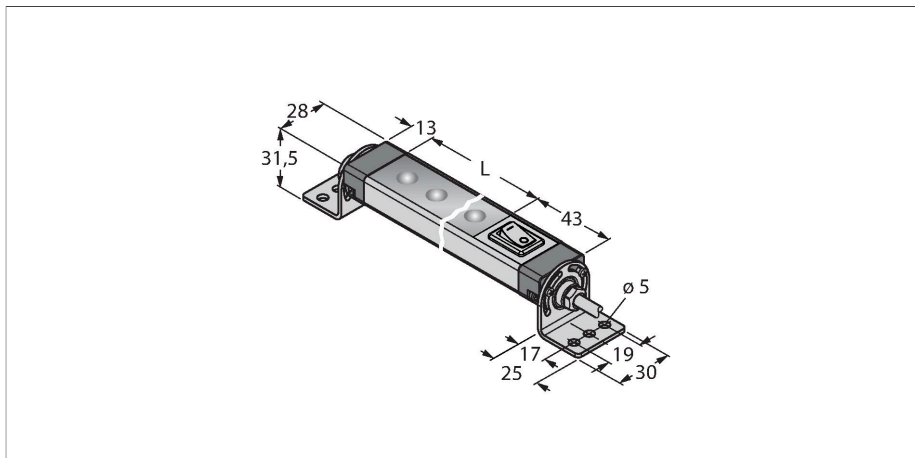


# WLS28-2XW1130XPB

## Work Light – Linear Light



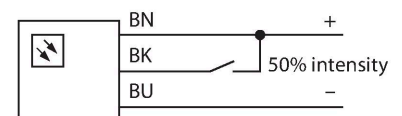
### Technical data

Type	WLS28-2XW1130XPB
ID	3087953
<b>Signal and display data</b>	
Purpose	LED work light
Function	Linear light
Light type	White
Color temperature	6100...+7000 K
Luminous flux lumen	2600 lm
Aperture angle degree	60 °
Beam angle	wide beam 40-80°
LED service life (L70)	50000 h
Dimmable	Two-stage
Features of color 1	White, Permanently on, 3200 lm
<b>Electrical data</b>	
Operating voltage	12...30 VDC
DC rated operational current	≤ 3040 mA
Input power	36.48 W
<b>Mechanical data</b>	
Cascadable	No
Design	Rectangular, WLS28-2
Dimensions	1203 x 28 x 21 mm
Housing material	Metal, AL
Window material	Polycarbonate, clear
Electrical connection	Cable, 2 m, PVC
Number of cores	3
Ambient temperature	-40...+70 °C

### Features

- ON/OFF switch
- Light beam: 1130 mm
- Operating voltage: 12...30 VDC
- Protection class: IP50
- Color: White
- Cable, PVC, 2 m
- SMBWLS28RA mounting bracket included in delivery

### Wiring diagram



### Functional principle

The low-energy LED work lights are ideally suited for industrial applications. The color temperature is between 6,000 and 7,100 Kelvin (cool white). Depending on the model, the luminous flux is 325 or 2600 lumen. Some work lights are switched on/off via supply power (10...30 VDC) and some types by means of a button directly at the LED lamp. In addition, the LED can be dimmed to 50% of its light output by activating a high signal on PIN 4, or for the variants with a switch, by means of a further switch position. On some models the light output is continuously dimmable via a PWM signal on pin 4. Cascadable variants are also available. Variants with a clear or diffuse plastic windows, as well as with an aperture angle of 25°.

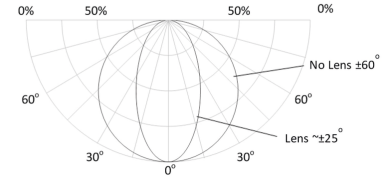
#### Application note:

Cascading with 12 V supply allows total light length of 1.4 m. Cascading with 24 V supply allows total light length of 3.0 m. Cascading with 30 V supply allows total light length of 3.1 m.

## Technical data

Storage temperature	-40...+70 °C
Relative humidity	0...90 %
Protection class	IP50
<b>Tests/approvals</b>	
Approvals	CE, UL

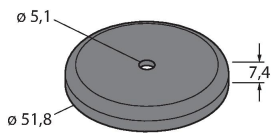
At 50% light intensity, the length specifications should be doubled.



## Accessories

SMBWLSMAG

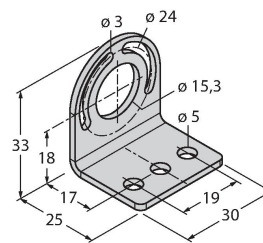
3019574



Magnetic mounting bracket for mounting on metallic surfaces, for mounting WLS28 work lights

SMBWLS28RA

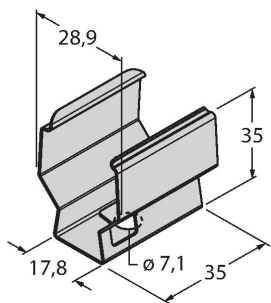
3015764



Mounting bracket, angled, metal, for WLS28 work lights, 5 mm drill holes, screw set included

SMBWLS28SP

3088063



Snap bracket for mounting WLS28 work lights