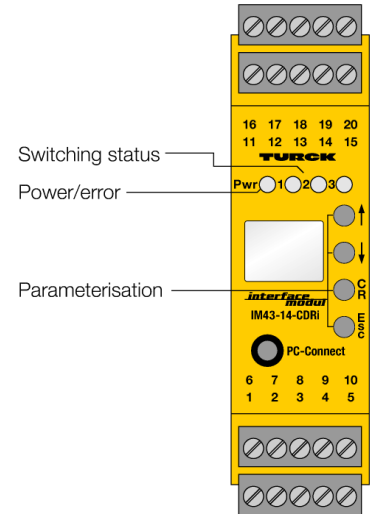
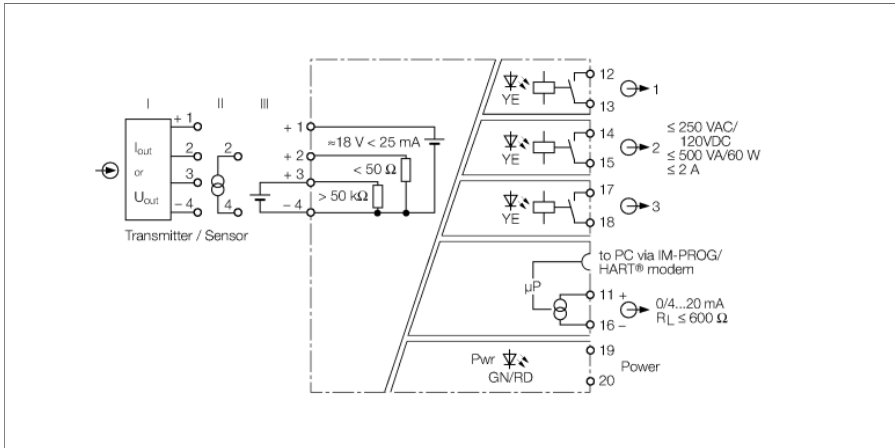


**Isolating transducer  
1-channel  
IM43-14-CDRI**



The 1-channel IM43-14-CDRI isolating transducer is designed to operate 2-wire transducers (III) and to galvanically isolate and transmit the measured signals. Alternatively, active 2-wire transmitters (II) and passive 3-wire transmitters (I) can also be operated.

The three limit values are set via teach buttons at the front.

The device is equipped with an analog output of 0/4...20 mA; In addition, three relay outputs for limit values are available. The unit of the measured value is freely selectable and indicated on a 2-line display. A green LED indicates operational readiness, 3 yellow LEDs indicate the switching status of the individual channels.

At each of the three outputs a predefined set-point value can be monitored according to overshoot/undershoot. The switching hysteresis is defined by programming the switch-on and switch-off point. Furthermore, a switch-off delay can be set individually for each output.

The measured value is permanently written to a ring buffer with space for 8000 values. The writing process is stopped with a predefined trigger event, like for example "excess of limit value". After that, the stored signal sequence can be read out.

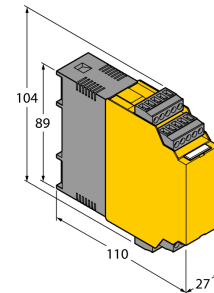
The device can be parametrized and configured via PC (FDT / DTM). For this, connect the device to the PC via the 3.5 mm jack on the front (the matching transmission cable IM-PROG III can be ordered separately from TURCK). In addition, a basic scope of parameters can be set via buttons and display on the front as well as via the HART® capable power interface

- **Input circuit: 0/4...20 mA; 0/2...10 V**
- **Output circuit: 0/4...20 mA, 3 independent limit value relays**
- **Universal operating voltage**
- **Monitors over and underrange of analog values and window limits**
- **Connection of passive 2-wire and active 3-wire transmitters**
- **Parameterized via PC (FDT / DTM), front-panel switch and HART®**
- **Many diagnostic functions**
- **Ring buffer for up to 8000 measured values**
- **Display**
- **Complete galvanic isolation**
- **Input reverse-polarity protected**

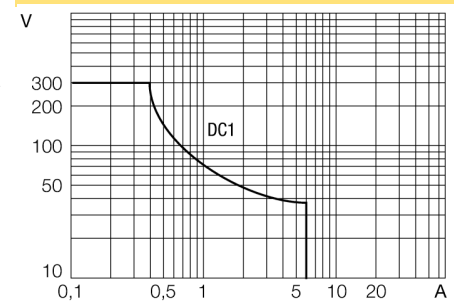
**Isolating transducer**  
**1-channel**  
**IM43-14-CDRI**

<b>Type designation</b>	IM43-14-CDRI
Ident no.	7540045
<b>Nominal voltage</b>	Universal voltage supply unit
Operating voltage	20...250 VAC
Frequency	40...70 Hz
Operating voltage range	20...250 VDC
Power consumption	≤ 3 W
Residual ripple	≤ 10 mV <sub>ss</sub>
<b>Transmitter connection</b>	
Supply voltage	≥ 17 V / 20 mA
Current	25 mA
Voltage input	0/2...10 VDC
Input current	0/4...20 mA
<b>Output circuits</b>	
Output current	0/4...20 mA
Fault current	0 / 22 mA adjustable
Output circuits (digital)	3 x relays (NO)
Output switching voltage relay	≤ 30 VDC / ≤ 250 VAC
Switching current per output	≤ 2 A
Switching capacity per output	≤ 500 VA/60 W
Switching frequency	≤ 10 Hz
Contact quality	AgNi, 3μ Au
<b>Measuring accuracy (including linearity, hysteresis and repeatability)</b>	≤ 0.05 % of full scale
Reference temperature	23 °C
Temperature drift analog output	0.0025 %/K
<b>Galvanic isolation</b>	
Test voltage	2.5 kV
<b>Indication</b>	
Operational readiness	green
Switching state	Yellow
Error indication	red
<b>Protection class</b>	IP20
Flammability class acc. to UL 94	V-0
Ambient temperature (min.)	-25 °C
Ambient temperature (max.)	70 °C
Storage temperature	-40...+80 °C
Dimensions	104 x 27 x 110 mm
Weight	245 g
Mounting instructions	DIN rail (NS35) or panel
Housing material	Polycarbonate/ABS
Electrical connection	4 × 5-pin removable terminal blocks, reverse polarity protected, screw terminal
Terminal cross-section	1 x 2.5 mm <sup>2</sup> / 2 x 1.5 mm <sup>2</sup>
Tightening torque	0.5 Nm

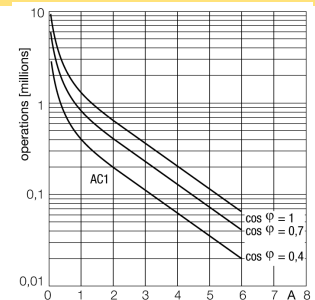
**Dimensions**



**Output relay – Load curve**

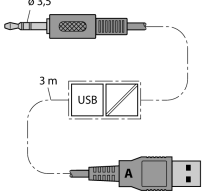


**Output relay – Electrical lifetime**



**Isolating transducer  
1-channel  
IM43-14-CDRI**

**Accessories**

Type code	Ident no.	Description	Dimension drawing
IM-PROG III	7525111	USB-compatible programming adapter for the FDT/DTM-based parametrization of HART-capable Turck devices; galvanic separation between the device to be parametrized and the PC	
IM-CC-5X2BK/2BK	7541219	Cage clamp terminals for IM modules ( Ex-devices with 27 mm overall width); includes: 4 pcs. of 5-pin black terminals	