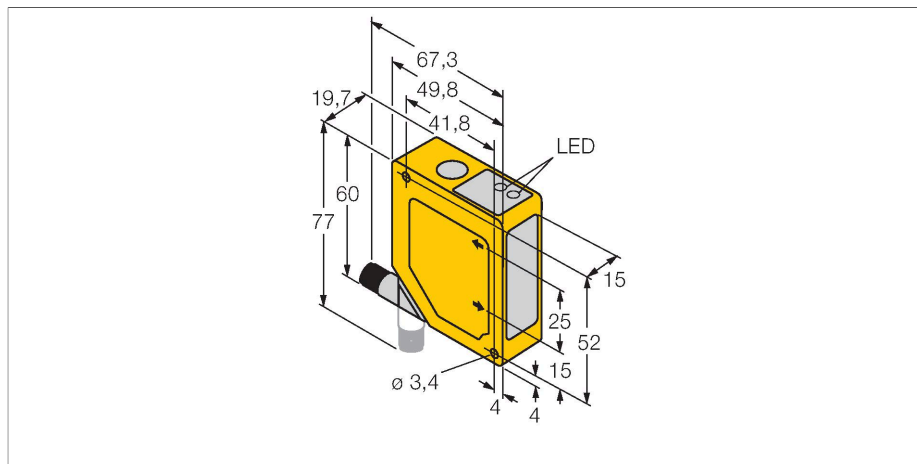


Q50BVNQ

Photoelectric Sensor – Triangulation Sensor with Switching Output



Features

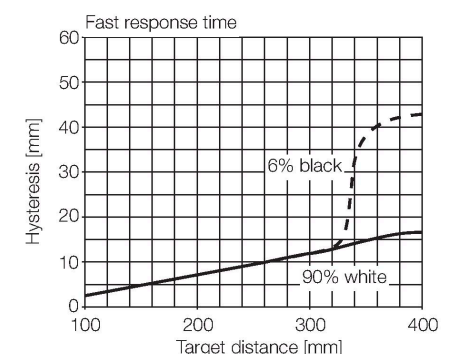
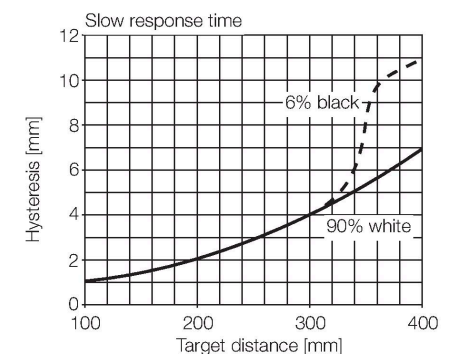
- Foreground and background suppression
- Operating range 100...300 mm
- M12 × 1 connector rotatable by 90°
- Operating voltage 12...30 VDC
- NPN switching output
- Response time of output 64 ms

Functional principle

The function principle of the Q50 is based on optical triangulation. The emitter and the optics create a light source that is directed towards a target. The target reflects the light back to the receiver lens of the sensor, from where it then is directed to the position sensitive device (PSD) as the receiver element. The target's distance from the receiver determines the angle at which the light meets the receiver element. This angle in turn determines where the reflected light falls onto the PSD. The microprocessor analyses and compares the target position to the programmed position values and creates a corresponding output signal.

Technical data

Type	Q50BVNQ
ID	3065280
Optical data	
Function	Proximity switch
Operating mode	Triangulation
Light type	Red
Wavelength	685 nm
Range	100...300 mm
Ambient light immunity	10000 lux
Electrical data	
Operating voltage	12...30 VDC
No-load current	≤ 70 mA
Output function	NO/NC, NPN
Switching frequency	≤ 7 Hz
Readiness delay	≤ 2 s
Readiness delay	≤ 2000 ms
Response time typical	< 48 ms
Mechanical data	
Design	Rectangular, Q50
Dimensions	49.8 x 19.7 x 60 mm
Housing material	Plastic, ABS/Polycarbonate
Lens	plastic, Acrylic
Electrical connection	Connector, M12 × 1, PVC
Number of cores	5
Ambient temperature	-10...+55 °C
Relative humidity	90 %



Technical data

Protection class	IP67
------------------	------

Switching state	LED, Yellow
-----------------	-------------

Tests/approvals	
-----------------	--