

8

7

6

5

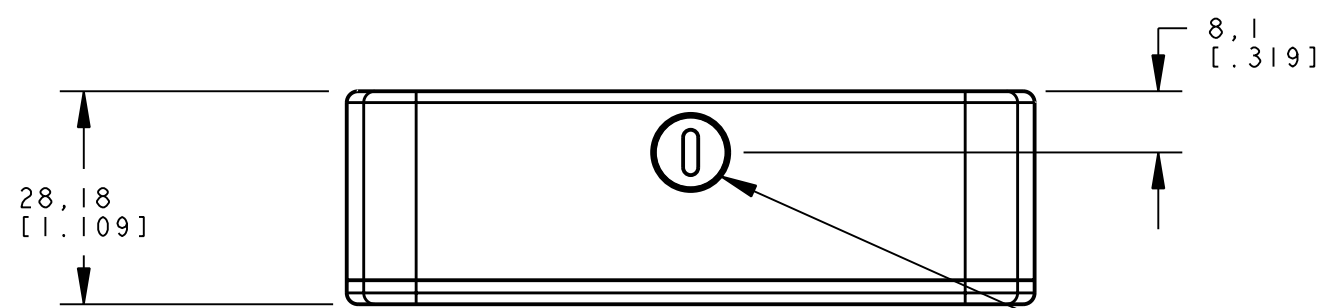
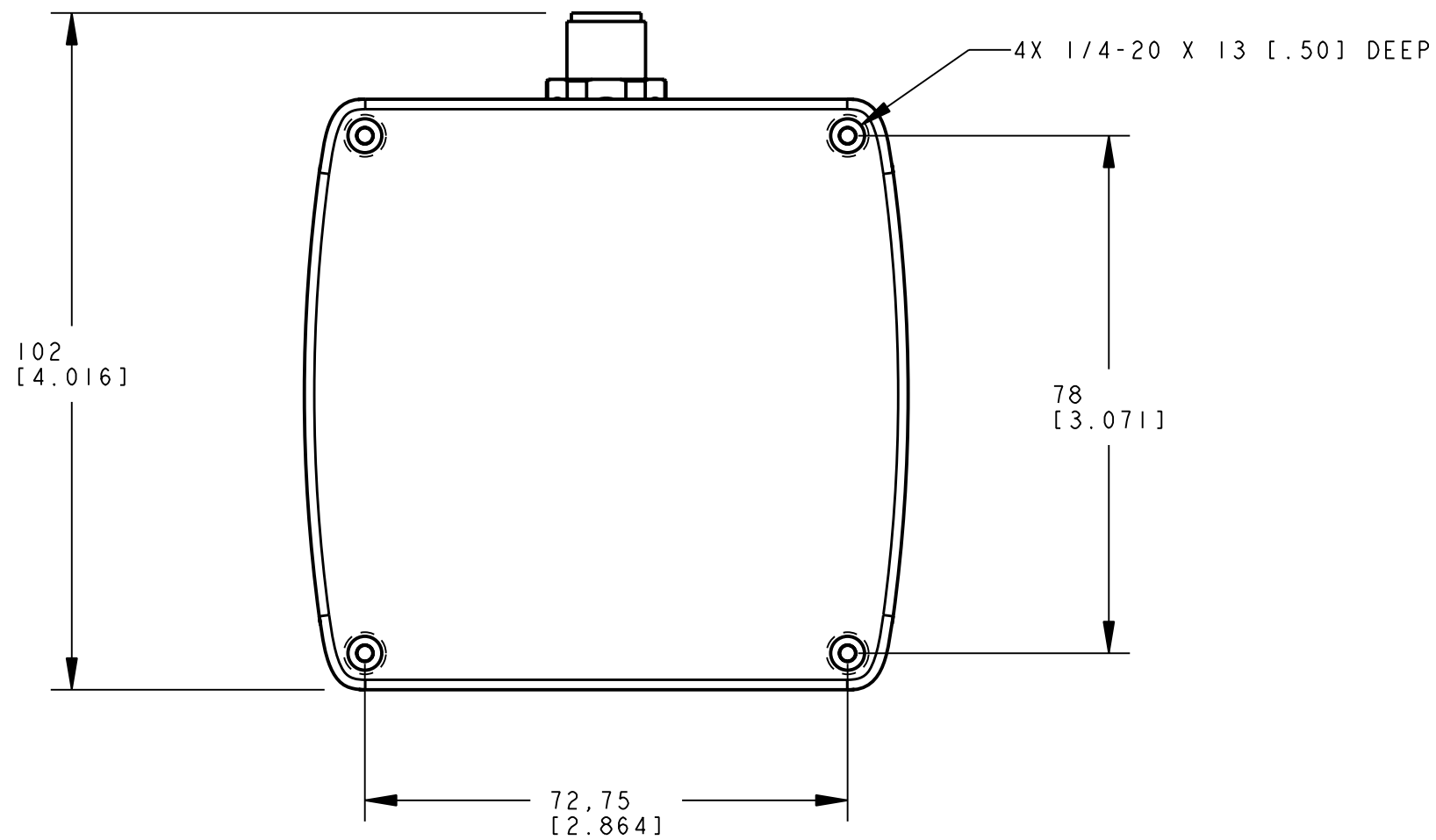
4

3

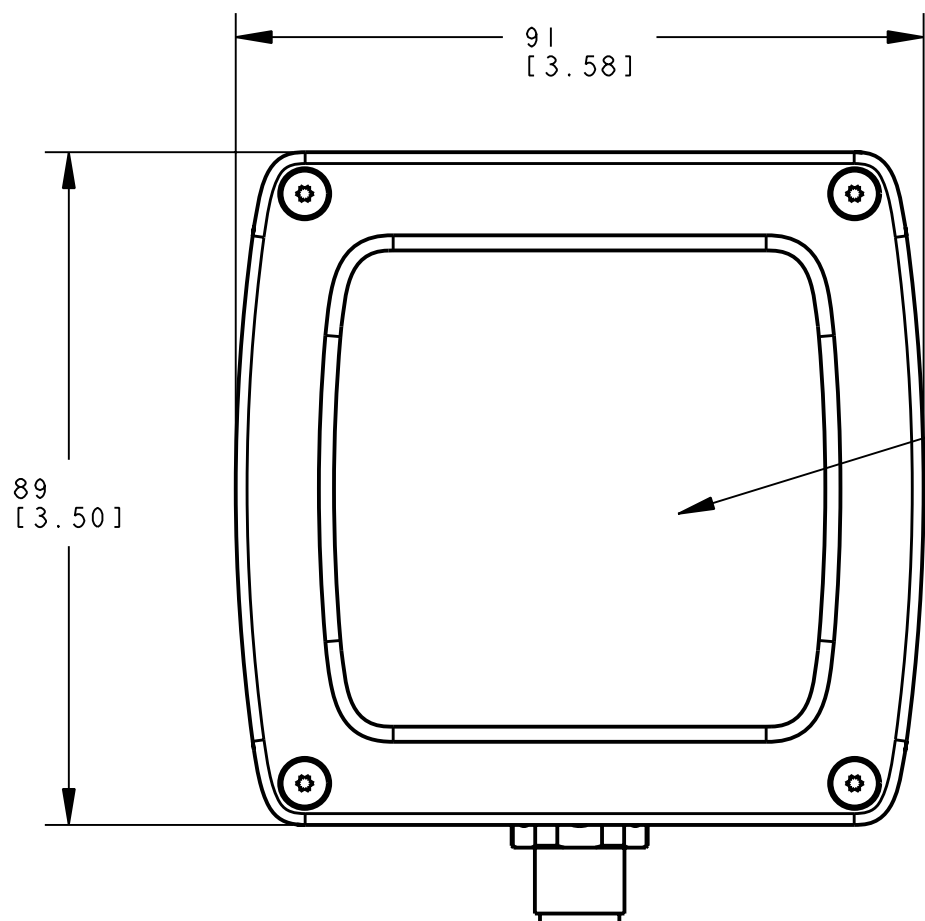
2

1

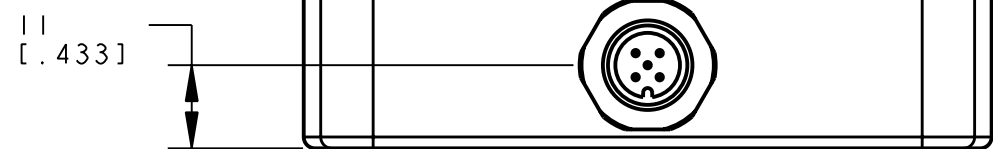
REVISION HISTORY			
REV	DESCRIPTION	DATE	APPROVED



POT ADJUSTING COVER  
ONLY ON ADJUSTABLE INTENSITY MODELS

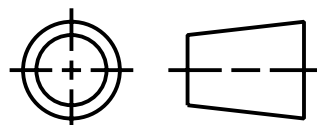


WINDOW  
(GLASS OR PLASTIC  
OPTIONS AVAILABLE)



DIMENSIONS ARE IN INCHES UNLESS OTHERWISE SPECIFIED  
TOLERANCE ON ANGLE:  $\pm 3^\circ$   
.X  $\pm .02$   
.XX  $\pm .01$   
.XXX  $\pm .005$   
INTERPRET DIMENSIONS & TOLERANCES PER ASME Y14.5M - 1994

THIRD ANGLE PROJECTION



This drawing is the property of BANNER ENGINEERING CORP. and is proprietary in general and in detail. Its contents shall not be revealed to outside parties without written consent of BANNER.

DRAWN BY \_\_\_\_\_ DATE \_\_\_\_\_

APPROVED BY \_\_\_\_\_ DATE \_\_\_\_\_

APPROVED BY \_\_\_\_\_ DATE \_\_\_\_\_

ALL SHEETS ARE THE SAME REVISION STATUS



BANNER ENGINEERING CORP.  
P.O. BOX 9414  
MINNEAPOLIS, MN 55440

TITLE  
**LED\_A70\_4\_ WEB CAD DRAWINGS 2D/3D**

SIZE C DRAWING NO. **144929** REV. **1**

SCALE 1:1 SHEET 1 OF 1

PRO/E

8

7

6

5

4

3

2

1