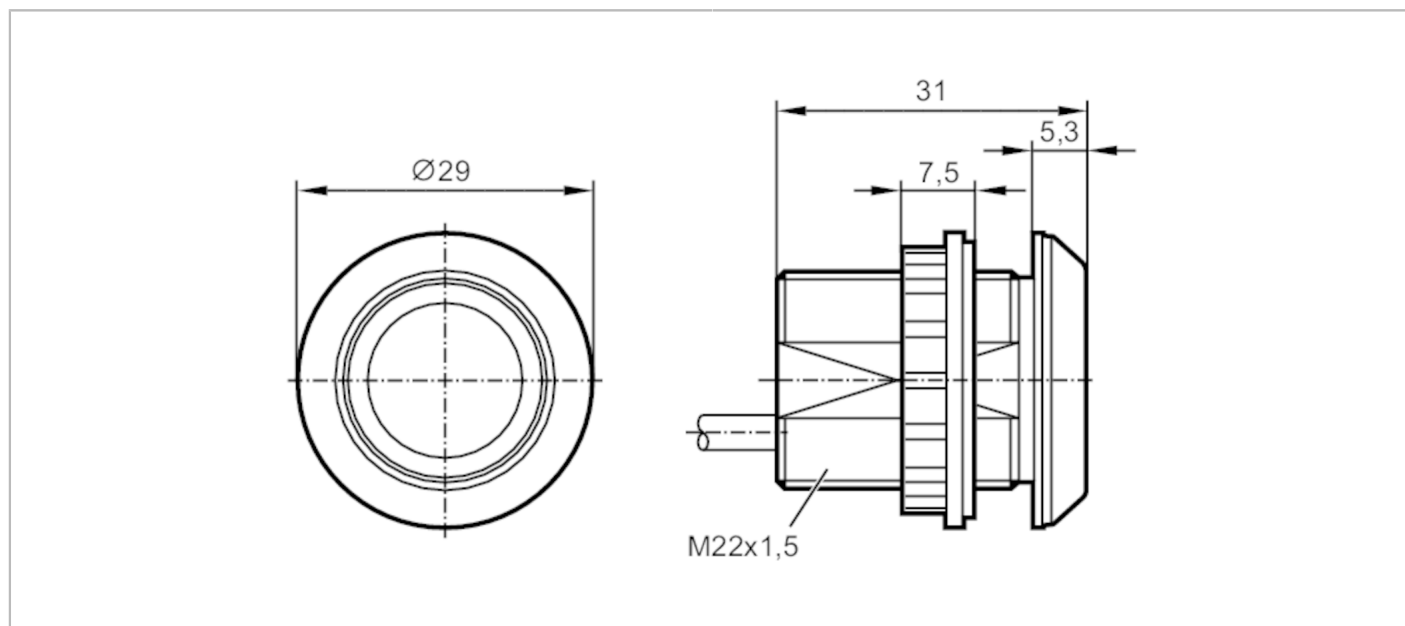


KT5150



Capacitive illuminated pushbutton

KTMBF-KRGBPKG/2M



CE

Product characteristics		
Electrical design		PNP
Output function		normally open
Dimensions	[mm]	Ø 29 / L = 31
Application		
Principle of operation		Bistable
Electrical data		
Operating voltage	[V]	12...30 DC
Current consumption	[mA]	30
Protection class		III
Reverse polarity protection		yes
Max. power-on delay time	[ms]	500
Outputs		
Electrical design		PNP
Output function		normally open
Permanent current rating of switching output DC	[mA]	200
Short-circuit protection		yes
Overload protection		yes
Reaction times		
Response time	[ms]	35
Operating conditions		
Ambient temperature	[°C]	-40...85
Protection		IP 65; IP 67; IP 69K; (on the front)
Tests / approvals		
EMC		IEC 61000-4

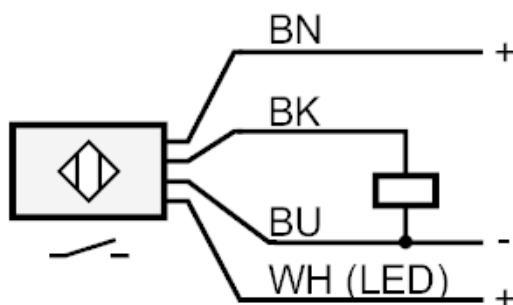
KT5150



Capacitive illuminated pushbutton

KTMBF-KRGBPKG/2M

Mechanical data		
Weight	[g]	99
Dimensions	[mm]	Ø 29 / L = 31
Material	PA 6.6-GF30 black; actuating surface: PA Grilamid TR 90UV	
Displays / operating elements		
Display	Switching status	1 x LED, green
	Function	1 x LED, red can be triggered
Accessories		
Items supplied	lock nuts: 1	
	Gasket: 1	
Accessories (optional)	Symbol disc	
Remarks		
Pack quantity	1 pcs.	
Electrical connection		
Cable: 2 m, PUR		
Connection		



Core colors :

- BK = black
- BN = brown
- BU = blue
- WH = white